

MICRO SWITCH

A DIVISION OF BOSTON-BASED HONEYWELL REGULATORY COMPANY
BOSTON, MASSACHUSETTS

FED. MFR. CODE 91929

SWITCH — ENCLOSED

CATALOG LISTING

51ML72

THIS DRAWING COVERS A PROPRIETARY ITEM AND IS THE PROPERTY OF MICRO SWITCH A DIVISION OF HONEYWELL THIS DRAWING IS NOT TO BE COPIED OR USED WITHOUT THE APPROVAL OF MICRO SWITCH

51ML72

M

DRAWING NUMBER

12

ISSUE

8

ISSUE

8

ISSUE

8

ISSUE

8

REVISIONS

A CO10054

AA S

25 NOV 55

B CORR

KFM

8 FEB 58

C CO10847

O.M.W.

18 JULY 58

D CO11247

O.M.W.

5 MAR 58

E CO13487

M.B.F.

10 MAR 59

F CO14233

M.B.F.

30 DEC 59

G CO22643

D.W.C.

21 MAR 67

H CO

52194-D

TSK

23 SEPT 83

J CO55094-B

J.A.P.

17 DEC 84

K CO58909

TSK

23 JAN 86

L CO74287

O.M.W.

21 APR 93

ISSUE

8

ISSUE

8

ISSUE

8

REPLACES

SR 4534

RELEASE NO

31 MAY 55

CHECK

JUN 27 MAY 55

CHECK

JUN 27 MAY 55

CHECK

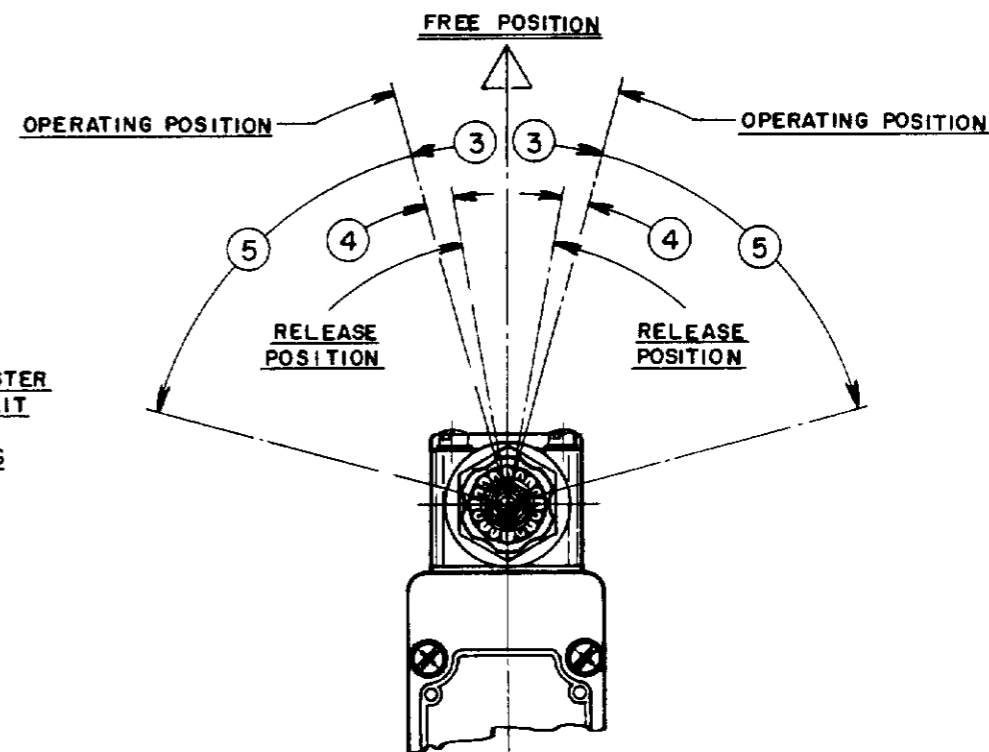
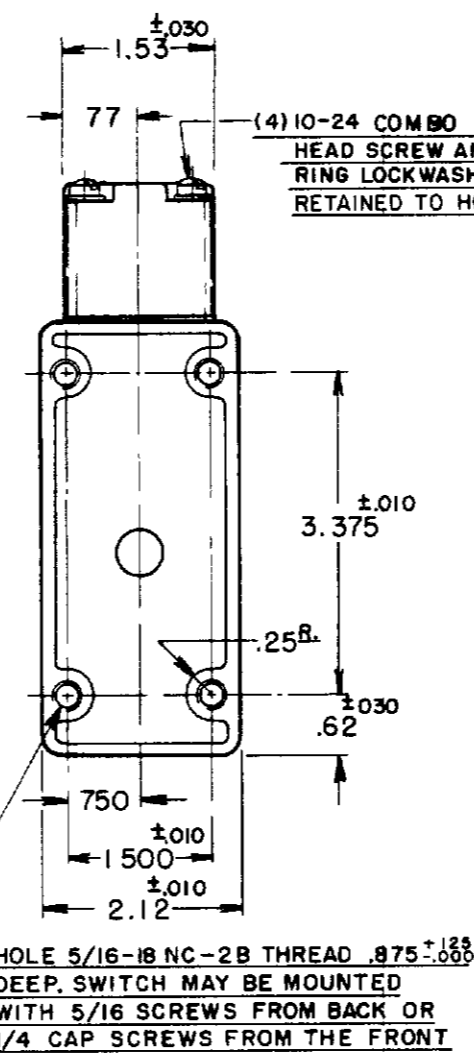
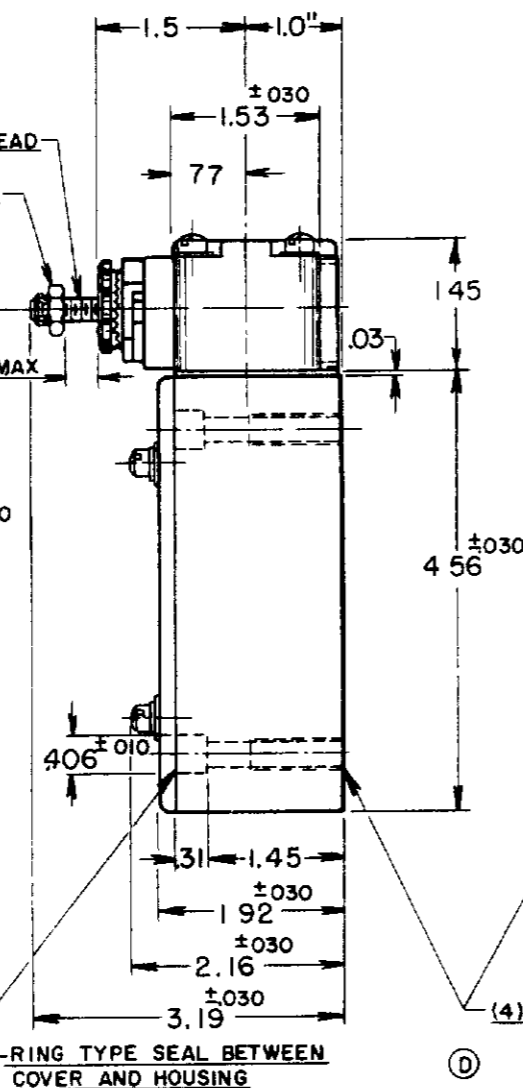
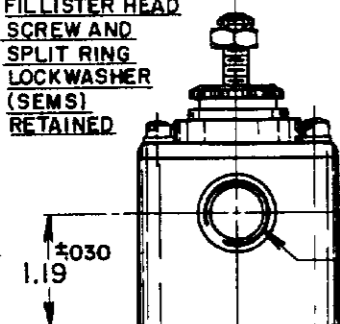
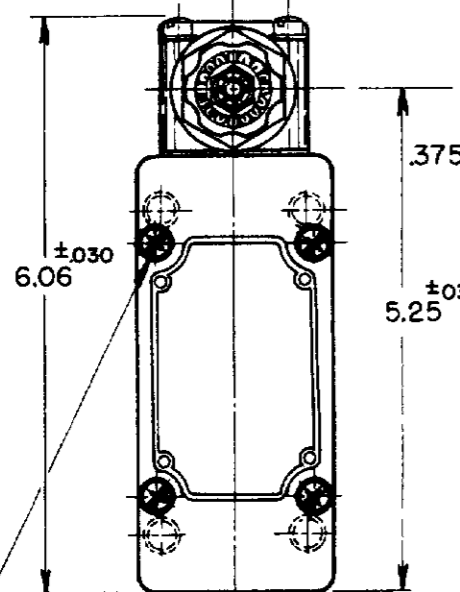
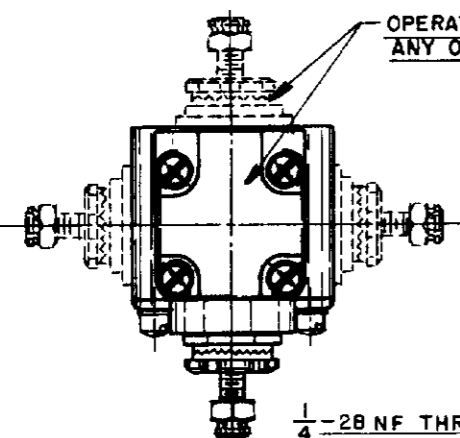
JUN 27 MAY 55

CHECK

JUN 27 MAY 55

CHECK

JUN 27 MAY 55



NOTES

- 1 SWITCH IS ASSEMBLED FOR ACTUATION IN EITHER DIRECTION TO CONVERT SWITCH FOR ACTUATION EITHER CLOCKWISE OR COUNTER-CLOCKWISE DIRECTION ONLY, REMOVE THE HEAD AND SLIDE THE CAM TOWARD THE REAR OF THE HEAD SUFFICIENTLY TO DISENGAGE FROM THE FLATS ON THE SHAFT. ROTATE THE CAM 90° IN THE OPPOSITE DIRECTION OF THE ACTUATION DESIRED AND RE-ENGAGE THE CAM WITH THE FLATS ON THE SHAFT
- 2
- 3 - SHAFT MAY BE ADJUSTED TO ACTUATE THE SWITCH IN THE CLOCKWISE DIRECTION ONLY, THE COUNTER-CLOCKWISE DIRECTION ONLY OR IN BOTH DIRECTIONS
- 4 - IT IS ESSENTIAL TO PREVENT ENTRANCE OF HARMFUL AGENTS THRU THE CONDUIT OPENING TO OBTAIN FULL BENEFIT OF THE SEALED CONSTRUCTION PROVIDED IN THIS UNIT
- 5 BASIC SWITCHING ELEMENT LISTED BY UNDERWRITERS' LABORATORIES, INC.

CHARACTERISTICS
OPERATING TORQUE - 5 11/32 LB. IN. MAX.
RELEASE TORQUE - 7/16 LB. IN. MIN.
PRETRAVEL - (A) (3) 20° MAX.
DIFFERENTIAL TRAVEL - (A) (4) 15° MAX.
OVERTRAVEL - (A) (5) 50° MIN.
FULL OVERTRAVEL TORQUE - 7 1/8 LB. IN. MAX.
SWITCH-BASIC REPLACEMENT DT-2R711-A7

ELECTRICAL DATA
CONTACT ARRANGEMENT D. P. D. T
BREAK DISTANCE .020 MIN
10 A-125 OR 250 VAC
0.3 A-125 VDC, 0.15 A-250 VDC

SCALE 1/2 TO 1
DO NOT SCALE PRINT
UNLESS OTHERWISE SPECIFIED
DIMENSIONS ARE IN INCHES
TOLERANCES ARE:
ONE PLACE (0) ±0.030
TWO PLACE (00) ±0.015
THREE PLACE (000) ±0.008
ANGLES ±
WEIGHT