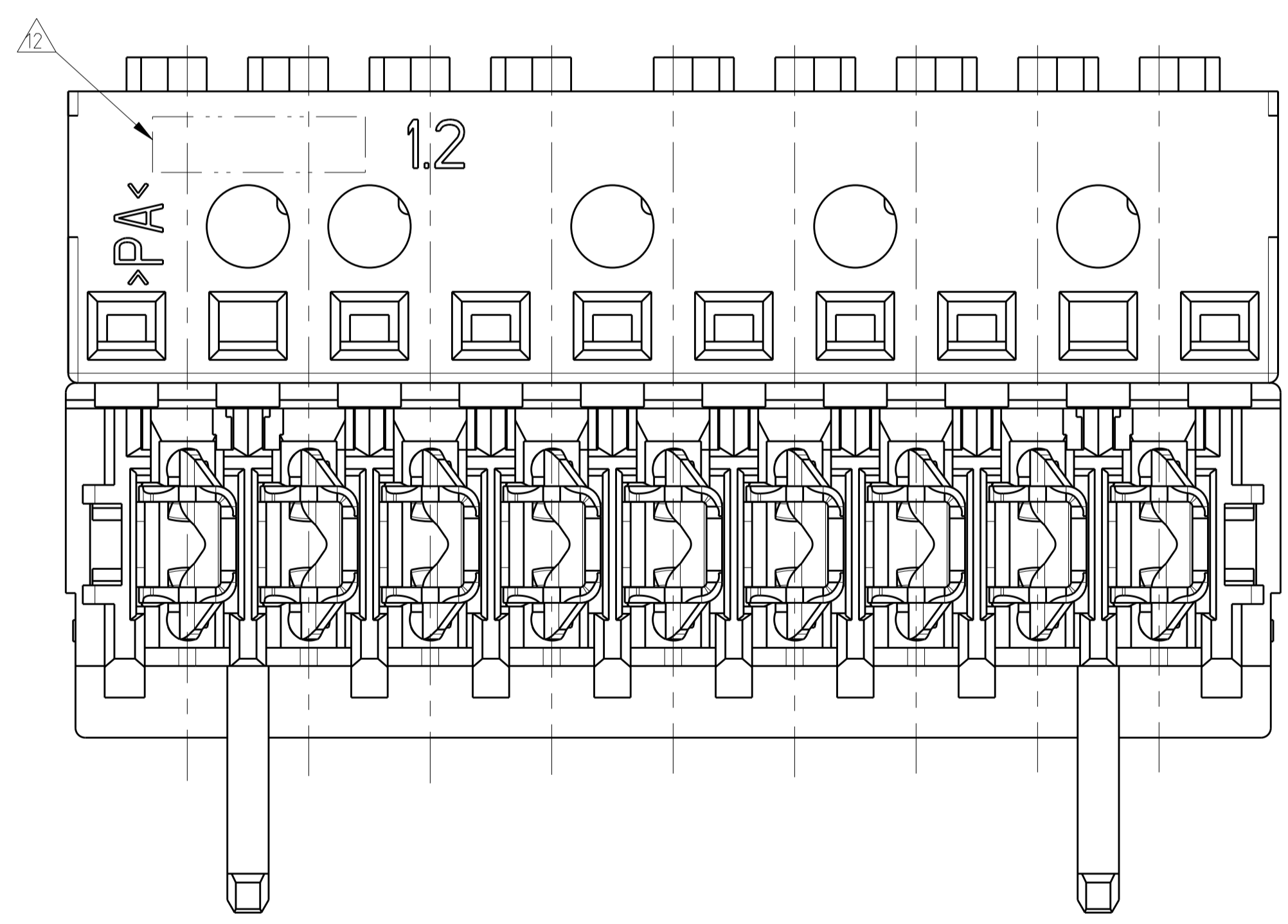
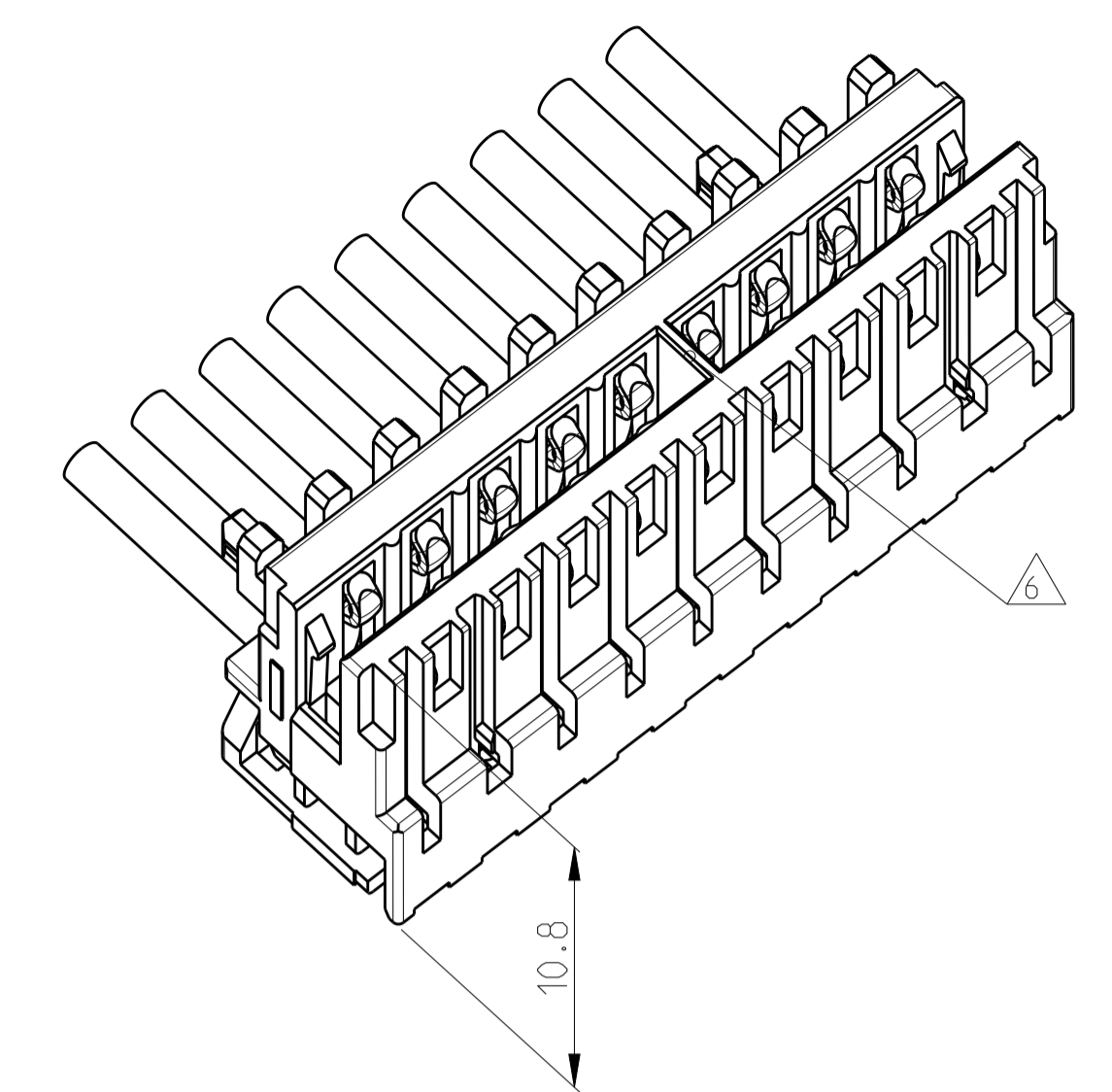


LOC	DIST	REVISIONS					
		P.	LTN	DESCRIPTION	DATE	DMN	APVD
		C2		ECR-11-024865	01DEC2011	C.J	R.P
		C3		ECR-12-002073	02FEB2012	C.J	R.P
		C4		ECR-16-007583	01JUN2016	KD	RR
		C5		ECR-16-009247	28JUN2016	KD	RR



- ⚠ PRELIMINARY - NOT RELEASED FOR PRODUCTION
- ⚠ Color marking on top of the cover
- ⚠ TE LOGO
- ⚠ - ⚠ SEE SHEET 2
siehe Blatt 2
- ⚠ RESERVED FOR BASIC NO. 1 740 155
Für Basisnummer 1 740 155 reserviert
- ⚠ POLARIZATION RIB BETWEEN CAVITY NO. ...
Polarisierungsrippe zwischen Kammer Nr. ...
- ⚠ LOCKING HOOK BETWEEN BEFORE CAVITY NO. 1 AND AFTER LAST CAVITY
Rasthaken vor Kammer Nr. 1 und letzter Kammer
- 4 WIRE RANGE: 0.22-0.35mm²
Drahtgroßenbereich: 0.22-0.35mm²
- ⚠ IEC 60695-2-1 / IEC60335-1 GLOW WIRE TEST 750 °C WITHOUT FLAME
IEC 60695-2-1 / IEC60335-1 Gluehdrahttest 750 °C ohne Flamme
- 2 MATING PART: SEE PCB LAYOUT
Passender Gegenstecker: Siehe Leiterplattenanschluss
- ⚠ KEYING RIBS; CUTTING WITH TERMINATION MACHINE POSSIBLE
Kodierrippe; Schneiden auf der Verarbeitungsmaschine möglich

OBSOLETE

	8	17.5	22.4	5 + 6	⚠	1-1740154-8
	6	12.5	17.4	4 + 5	⚠	1-1740154-6
	5	10	14.9	-	⚠	2-1740154-5
	5	10	14.9	4 + 5	⚠	1-1740154-5
	4	7.5	12.4	1 + 2	⚠	1-1740154-4
	3	5	9.9	2 + 3	⚠	1-1740154-3
	6	12.5	17.4	-		9-1740154-6
	5	10	14.9	-		9-1740154-5
Blue	3	5	9.9	-		9-1740154-3
	20	47.5	52.4	9 + 10	↑	-
	19	45	49.9	9 + 10	↑	-
	18	42.5	47.4	8 + 9	↑	-
	17	40	44.9	8 + 9	↑	-
	16	37.5	42.4	7 + 8	⚠	-
	15	35	39.9	7 + 8	↑	-
	14	32.5	37.4	6 + 7	↑	-
	13	30	34.9	6 + 7	↑	-
	12	27.5	32.4	5 + 6	↑	-
	11	25	29.9	5 + 6	↑	-
	10	22.5	27.4	4 + 5		-
	9	20	24.9	4 + 5		-
	8	17.5	22.4	3 + 4		-
	7	15	19.9	3 + 4		-
	6	12.5	17.4	2 + 3		-
	5	10	14.9	2 + 3		-
	4	7.5	12.4	1 + 2		-
	3	5	9.9	1 + 2		-
Color Code	⚠	POS. Polzahl	DIM A	DIM B	⚠ POLARIZATION	PN Bestell-Nr.

2	SEE TABLE	CONTACT/Kontakt	CuSn	TINNED/verzinkt
1	siehe Tabelle	HOUSING/Federleistengeh.	PA 6 GF UL94-V2 ⚠	NATUR/Natur
POS.	PN Bestell-Nr.	DESCRIPTION Beschreibung	MATERIAL	COLOUR/FINISH Farbe/Oberflaeche

THIS DRAWING IS A CONTROLLED DOCUMENT. DIMENSIONS: mm. TOLERANCES UNLESS OTHERWISE SPECIFIED: 0 PLC ±0.2, 1 PLC ±0.2, 2 PLC ±0.2, 3 PLC ±0.2, 4 PLC ±0.2, ANGLES ±°. FINISH: SEE TABLE.

DMN: H. Karabiyik, OSMAR2004
CHK: B. Schnaubelt, OSMAR2004
APVD: T. Klenner, OSMAR2004

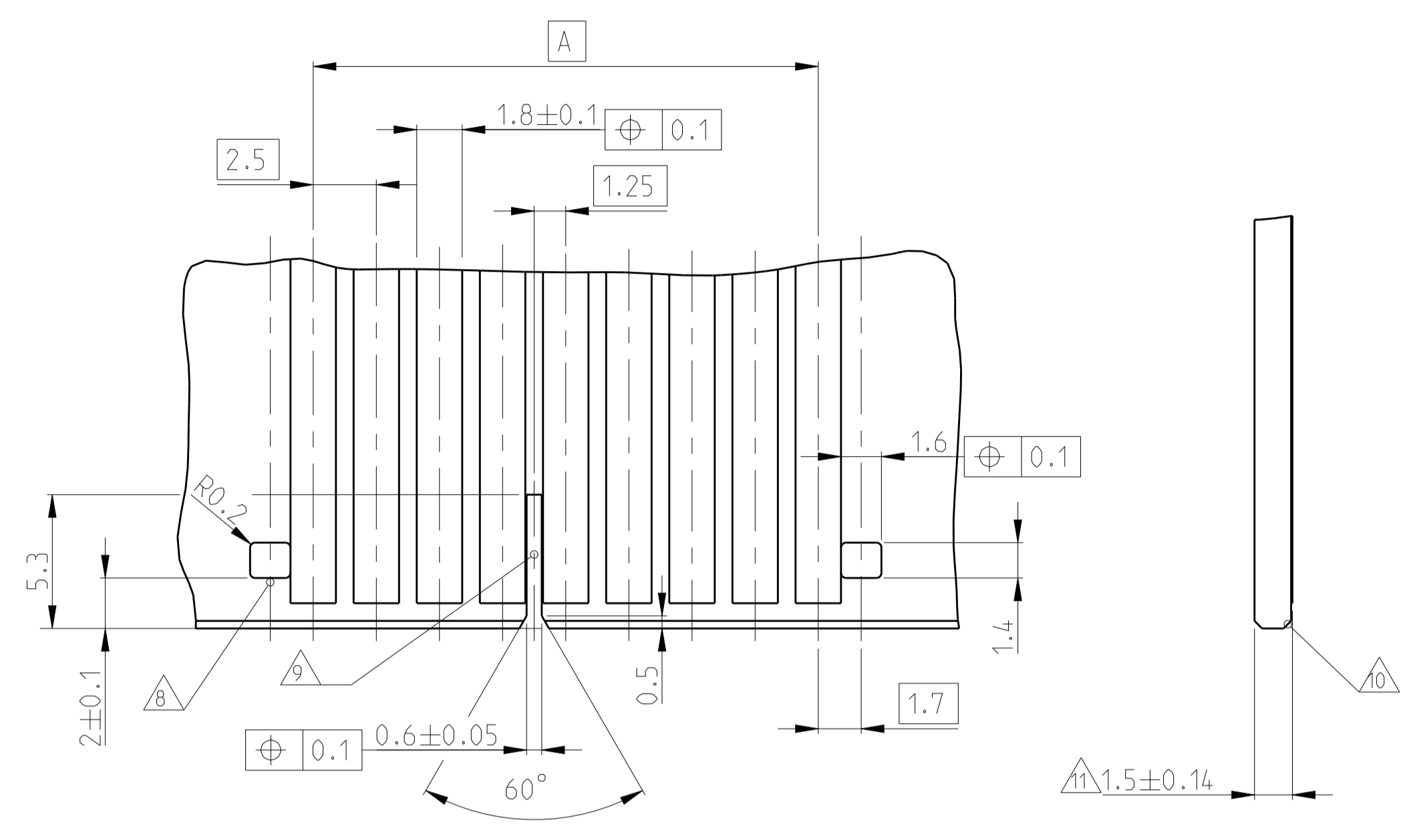
STE TE Connectivity
AMP DUOPLUG MKII FEMALE CONNECTOR
3-20 POSITION WITH PCB LOCKING

SIZE: A1, CAGE CODE: 00779, DRAWING NO: 1740154, RESTRICTED TO: C5

CUSTOMER DRAWING. SCALE: 10:1. SHEET 1 OF 2. REV: C5

LOC		DIST		REVISIONS			
A1		-		REV	DATE	BY	APPV
				-	SEE SHEET 1	-	-

STANDARD PCB LAYOUT Standard Leiterplattenanschluss



- ▲ INCLUSIVE COPPER CLADDING, SINGLE OR DOUBLE SIDED
Inklusive Kupferkaschierung, ein oder doppelseitig
- ▲ PCB PREFERABLY CHAMFERED
Leiterplatte vorzugsweise angefast
- ▲ SLOT FOR POLARIZATION RIB
Schlitz fuer Polarisierungsrippe
- ▲ WINDOW FOR LOCKING HOOK
Fenster fuer Rasthaken
- ▲ - ▲ SEE SHEET 1
siehe Blatt 1

THIS DRAWING IS A CONTROLLED DOCUMENT.		OWN H. Karabiyik 05MAR2004	TE Connectivity												
DIMENSIONS: mm		CHK B. Schnaubelt 05MAR2004													
TOLERANCES UNLESS OTHERWISE SPECIFIED:		APVD T. Klenner 05MAR2004	NAME AMP DUOPLUG MKII FEMALE CONNECTOR 3-20 POSITION WITH PCB LOCKING												
<table border="1"> <tr><td>0 PLC</td><td>±0.2</td></tr> <tr><td>1 PLC</td><td>±0.2</td></tr> <tr><td>2 PLC</td><td>±0.2</td></tr> <tr><td>3 PLC</td><td>±0.2</td></tr> <tr><td>4 PLC</td><td>±0.2</td></tr> <tr><td>ANGLES</td><td>±0.1°</td></tr> </table>		0 PLC	±0.2	1 PLC	±0.2	2 PLC	±0.2	3 PLC	±0.2	4 PLC	±0.2	ANGLES	±0.1°	PRODUCT SPEC -	SIZE A1
0 PLC	±0.2														
1 PLC	±0.2														
2 PLC	±0.2														
3 PLC	±0.2														
4 PLC	±0.2														
ANGLES	±0.1°														
MATERIAL SEE TABLE		FINISH SEE TABLE	APPLICATION SPEC -												
		WEIGHT -	CAGE CODE DRAWING NO 00779 ©=1740154												
		CUSTOMER DRAWING	RESTRICTED TO -												
		SCALE 5:1	SHEET 2 OF 2												
			REV C5												