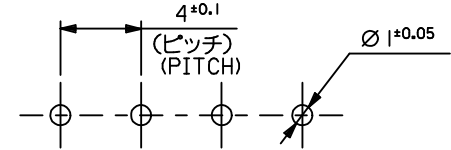


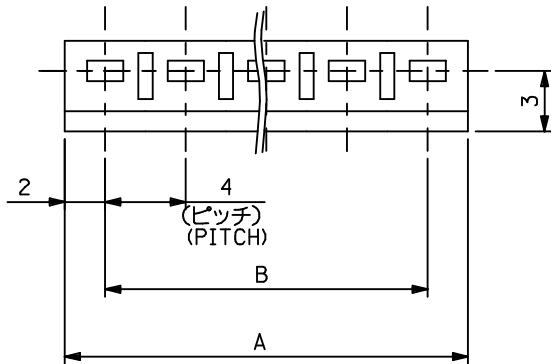
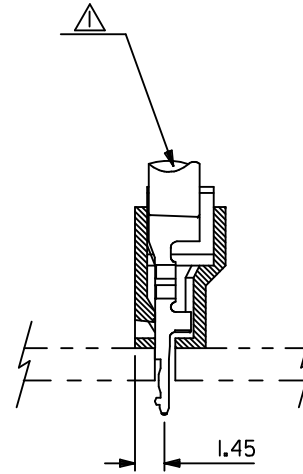
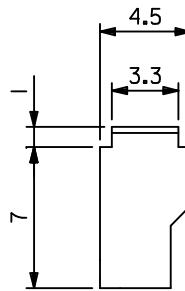
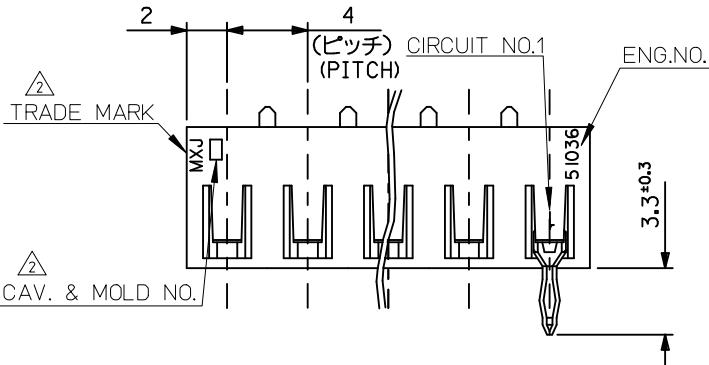
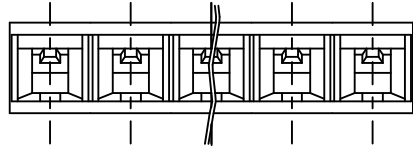
注記
NOTE

- ① 適合ターミナル: 500978*00
APPLICABLE: 500978*00
- ② トレードマーク: MXJにて表示。
キャビティ番号: 1桁から2桁の数字にて表示。 金型番号: アルファベット1文字にて表示。
TRADE MARK IS FORMED BY MXJ.
AND BY 1-2 DIGIT NUMBER (TO CAVITY NO.)
AND BY 1 LETTER OF ALPHABET (TO MOLD NO.)
- 3. ELV及RoHS適合品
ELV AND RoHS COMPLIANT.

(公差非累積)
(NON-ACCUMULATIVE)



基板取付穴推奨寸法(基板厚: 1.6mm)
RECOMMENDED PC BOARD
HOLE DIMENSION
(THICKNESS: 1.6mm)



56	60	51036	1500	15
52	56		1400	14
48	52		1300	13
44	48		1200	12
40	44		1100	11
36	40		1000	10
32	36		0900	9
28	32		0800	8
24	28		0700	7
20	24		0600	6
16	20		0500	5
12	16		0400	4
8	12		0300	3
4	8	51036	0200	2
B	A	ENG.NO.		機 種 図 番

材料 MATERIAL	POLYAMIDE,UL94V-0
適用電線範囲 WIRE RANGE	AWG#22~18,AV0.5~0.85 AVS0.3~0.85
被覆外径 INS. RANGE	φ1.8~2.6

REVISED EC NO.: J2012-0915 DRWN: KWASHIO 2012/01/20 CHKD: KASAKAWA 2013/05/28 APPR: NUKITA 2013/05/28 G	DESCRIPTION REV	GENERAL TOLERANCES (UNLESS SPECIFIED)		DIMENSION STYLE MM ONLY		SCALE 4:1	DESIGN UNITS METRIC	THIRD ANGLE PROJECTION		
		10 UNDER	±0.2	DRAWN BY KSANO	DATE 1996/06/30	TITLE 4.0 BOARD IN CONNECTOR HOUSING				
		10 OVER 30 UNDER	±0.25	CHECKED BY MSAKANO	DATE 1996/06/30	molex SEE CHART SD-51036-001 1 OF 1				
		30 OVER	±0.3	APPROVED BY MENOMOTO	DATE 1996/06/30					
ANGULAR ±3 °		DRAFT WHERE APPLICABLE MUST REMAIN WITHIN DIMENSIONS		MATERIAL NO.		DOCUMENT NO.		SHEET NO.		
				SIZE A3		THIS DRAWING CONTAINS INFORMATION THAT IS PROPRIETARY TO MOLEX INCORPORATED AND SHOULD NOT BE USED WITHOUT WRITTEN PERMISSION				