

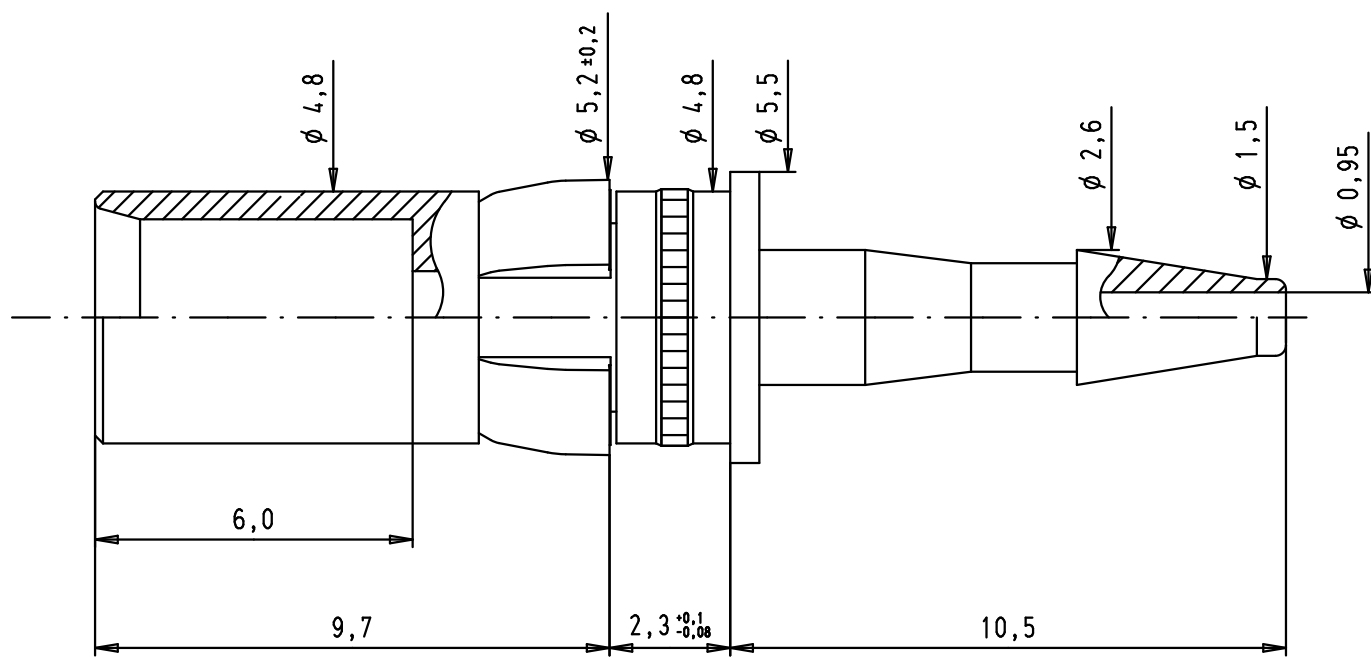
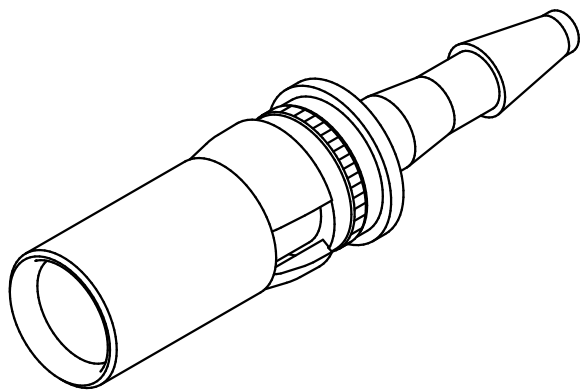
5



4

3

2

1



				Det.	Name	 All Dim. in mm Orig. Size DIN A 4	Straight female pneumatic contact for 2 mm inner diameter compressed air tube	Maßstab/ Scale 7:1	
			Detail.	18/08/04	TR				
				Insp.					
				Stand.					
	35404	21/11/08	PK	HARTING EUROL F-95972 Paris				TB 09 69 187 0060	Blatt/ Page 1 / 1
	33985	19/04/07	PK						
	32147	18/08/04	TR						
	Mod.	Det.	Name						

D

C

B

A