

## SPECIFICATIONS

### ELECTRICAL

(@28VDC, 115VAC, 60/400Hz)  
1 million life cycles @ 1A

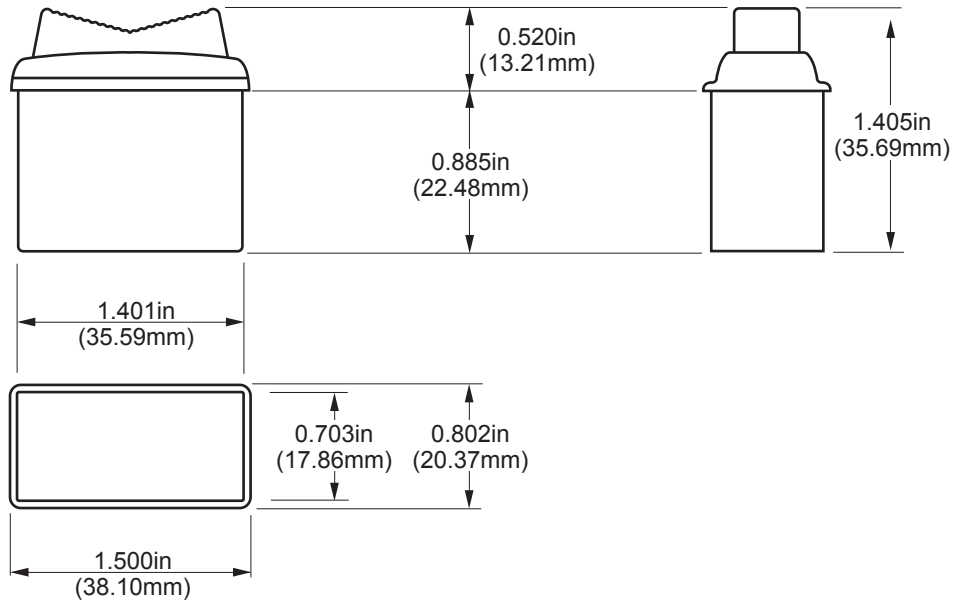
### MECHANICAL

MECHANICAL LIFE	1 million operations
ACTUATION FORCE	700g (6.9 Newtons)
OPERATING TEMPERATURE	-40° to +85°C
CONTACT RESISTANCE	Less than 0.5 ohms

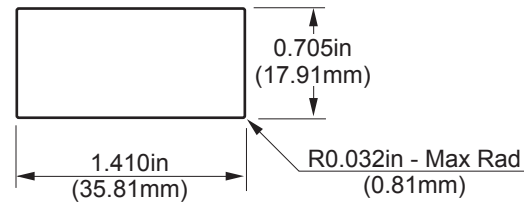
### WIRING

GRAY	Switch
PURPLE	Switch
BLACK	Common

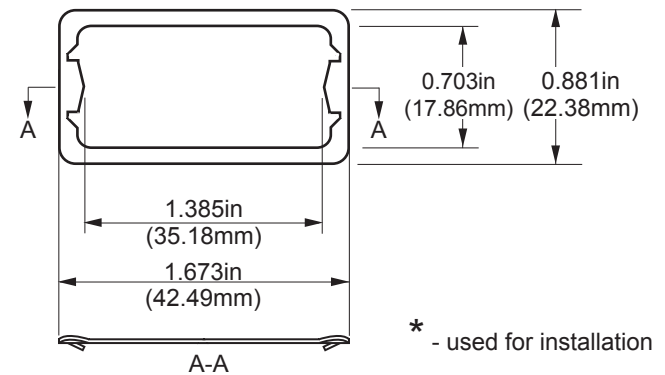
RoHS compliant



### MOUNTING CUT-OUT DIMENSIONS



### STEEL SPRING RETAINER \*



P/N	<b>500-252</b>	REV	<b>A</b>
DESCRIPTION	<b>CH Rocker Switch</b>		
PROPRIETARY AND CONFIDENTIAL THE INFORMATION CONTAINED IN THIS DRAWING IS THE SOLE PROPERTY OF CH PRODUCTS. ANY REPRODUCTION IN PART OR AS WHOLE WITHOUT THE WRITTEN PERMISSION OF CH PRODUCTS IS PROHIBITED.			