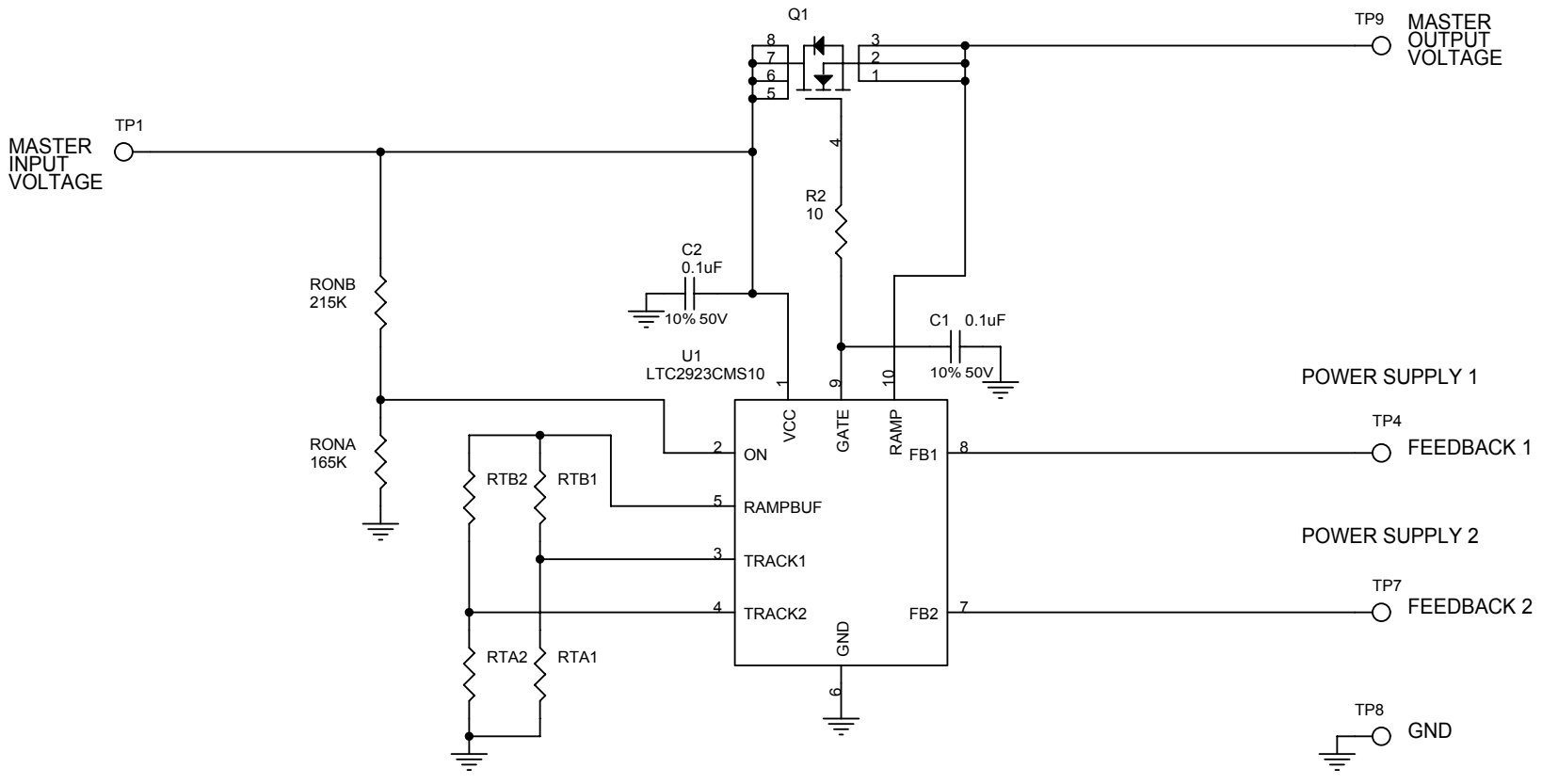
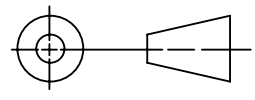


This circuit is proprietary to Linear Technology and supplied for use with Linear Technology parts.
Customer Notice: Linear Technology has made a best effort to design a circuit that meets customer-supplied specifications; however, it remains the customer's responsibility to verify proper and reliable operation in the actual application. Component substitution and printed circuit board layout may significantly affect circuit performance or reliability. Contact Linear Applications Engineering for assistance.

REVISION HISTORY				
ECO	REV	DESCRIPTION	DATE	APPROVED
	2	PROTO	04/21/04	



UNLESS OTHERWISE SPECIFIED
 DIMENSIONS ARE IN INCHES
 TOLERANCE ON ANGLE ---
 2 PLACES --- 3 PLACES ---
 INTERPRET DIM AND TOL
 PER ASME Y14.5M -1994



DO NOT SCALE DRAWING

CONTRACT NO.	
APPROVALS	DATE
DRAWN MEI	09/30/03
CHECKED	
APPROVED	
ENGINEER	
DESIGNER	
Wednesday, April 21, 2004	



1630 McCarthy Blvd.
 Milpitas, CA 95035
 Phone: (408)432-1900
 Fax: (408)434-0507

TITLE
SCH, LTC2923CMS, POWER SUPPLY TRACKING AND SEQUENCING CONTROLLER

SIZE	CAGE CODE	DWG NO	REV
		DC732A	2

SCALE	FILENAME	SHEET	OF
NONE	732A-2.DSN	1	2