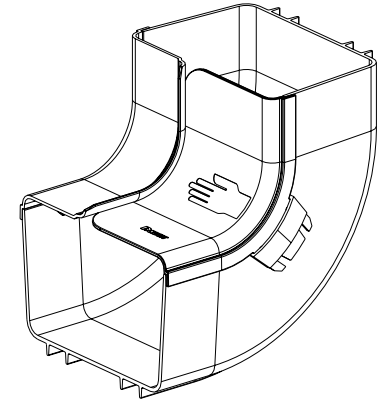
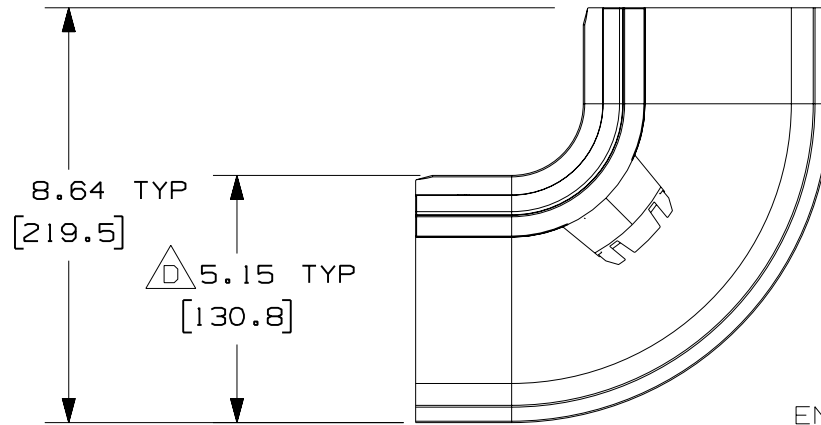
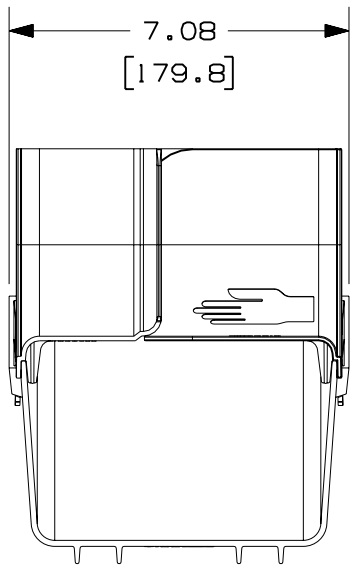


△ C NOTES:

1. SEE CURRENT CATALOG FOR ADDITIONAL PART SUFFIXES TO INDICATE COLOR AND/OR PACKAGE QUANTITY.
2. THE FIBERRUNNER 6x4 INSIDE VERTICAL RIGHT ANGLE FITTING IS DESIGNED WITH A MINIMUM 2" (50.8) BEND RADIUS TO PROTECT FIBER OPTIC CABLES.
3. THE FIBERRUNNER 6x4 INSIDE VERTICAL RIGHT ANGLE FITTING INCLUDES:
ONE (1) INSIDE VERTICAL RIGHT ANGLE BASE,
ONE (1) FIXED COVER SECTION,
ONE (1) MOVEABLE COVER SECTION
4. DIMENSIONS IN PARENTHESES ARE IN METRIC.

PANDUIT PART NUMBER	WEIGHT
FRIVRA6X4	1.22 LB/EACH 555g/EACH

△ B



ENG. REF.: D38778BK_DC_FRIVRA6X4_01.prt

CAD FILENAME/LAYERS: FRIVRA6X4.pdf

PANDUIT CORP TINLEY PARK, ILLINOIS
FIBERRUNNER 6x4 INSIDE VERTICAL RIGHT ANGLE FITTING (FRIVRA6X4)
 CUSTOMER DRAWING

UNLESS OTHERWISE SPECIFIED, DIMENSIONAL TOLERANCES ARE:
 (.X) ± (.XXX) ±
 (.XX) ± .03 (.8) ANGLES ±

UNLESS OTHERWISE SPECIFIED, ALL DIMENSIONS ARE GIVEN IN INCHES, THIRD ANGLE PROJECTION.

-	-----	---	--	D. ADDED DIMENSION C. REVISED GENERAL NOTES	-----	--	--					
1	7-6-06	DTP	RN	B. REVISED PART WEIGHT A. REVISED DRAWING TITLE	38778-11	RN	RN					
R	8-17-04	MSO	SMF	RELEASED TO PRODUCTION	38778-11	RN	RN					
REV	DATE	BY	CHK	DESCRIPTION	ECN	R	CUST	SUP	GMBH			

DRAWN BY: MSO	MAT'L: ABS	SCALE: NONE
DATE: 8-17-04		DRAWING NO. 38778-11
CHK'D: SMF		DWG SIZE: A