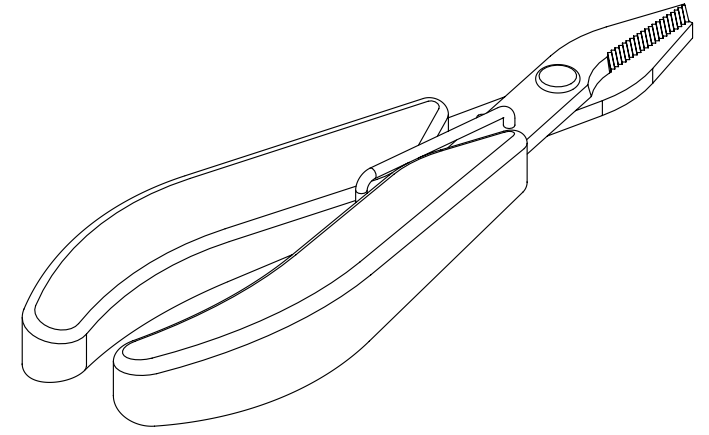
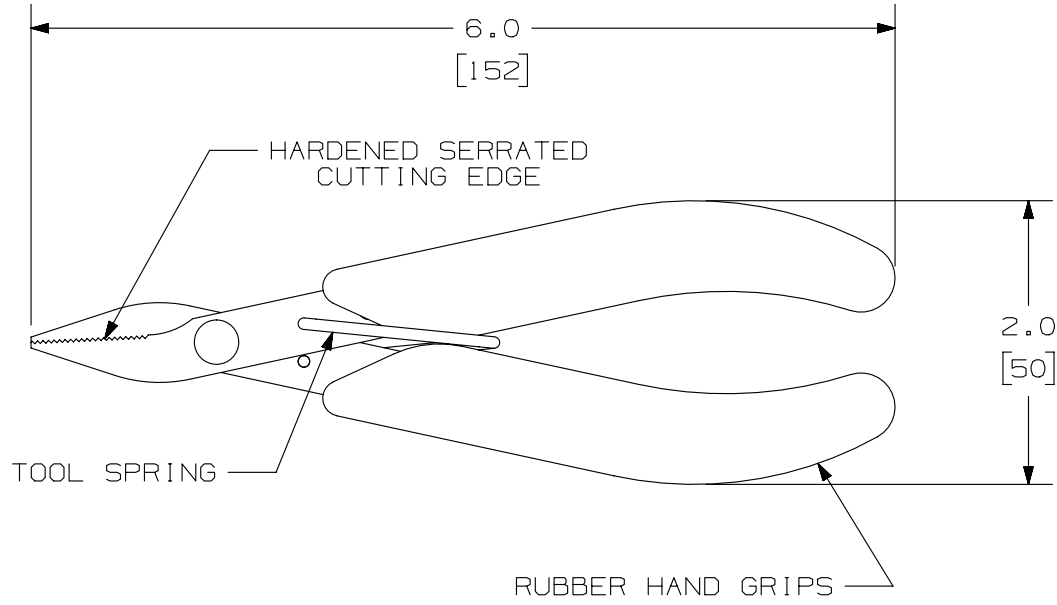


THIS COPY IS PROVIDED ON A RESTRICTED BASIS AND IS NOT TO BE USED IN ANY WAY DETRIMENTAL TO THE INTERESTS OF PANDUIT CORP.

PANDUIT PART NUMBER	WEIGHT
FKS	.14 LB./EACH [65.5 GRAMS/EACH]

NOTES:

1. SEE CURRENT CATALOG FOR ADDITIONAL PART NUMBER SUFFIXES TO INDICATE PACKAGE QUANTITIES.
2. THE TOOL IS CONSTRUCTED OF CARBON STEEL FRAMES WITH A BLACK FINISH AND RUBBER HAND GRIPS.
3. THE CUTTING EDGE IS SERRATED AND HARDENED.
4. THE TOOL HAS A SPRING THAT ALLOWS THE TOOL TO SPRING OPEN AFTER EACH CUT CYCLE.
5. ALL DIMENSIONS IN BRACKETS ARE METRIC [mm].



PART NUMBER		FKS	
TITLE			
KEVLAR FIBER CUTTERS		CUSTOMER DRAWING	
ITEM REVISION NAME		M01190BZ/02	
DATASET FILE NAME		M01190BZ_DC/00B	
UNLESS OTHERWISE SPECIFIED, DIMENSIONAL TOLERANCES ARE: IN [mm]		MATERIAL:	
.x ± .xx ± .03 [.8]		.xxx ± .010 [.3]	
ANGLES ±		DRAWING NUMBER:	
THIRD ANGLE PROJECTION		01190-24	
DRAWN BY	DATE	CHK	SCALE
EFK	07-24-03	RTF I	NONE
SHT 1 OF 1		SIZE	
A		A	

2	2/6/15	JSP	WJM	RWB	A. REVISED DRAWING TITLE BLOCK.	01190-24
REV	DATE	BY	CHK	APR	DESCRIPTION	ECN

D10100DA/14