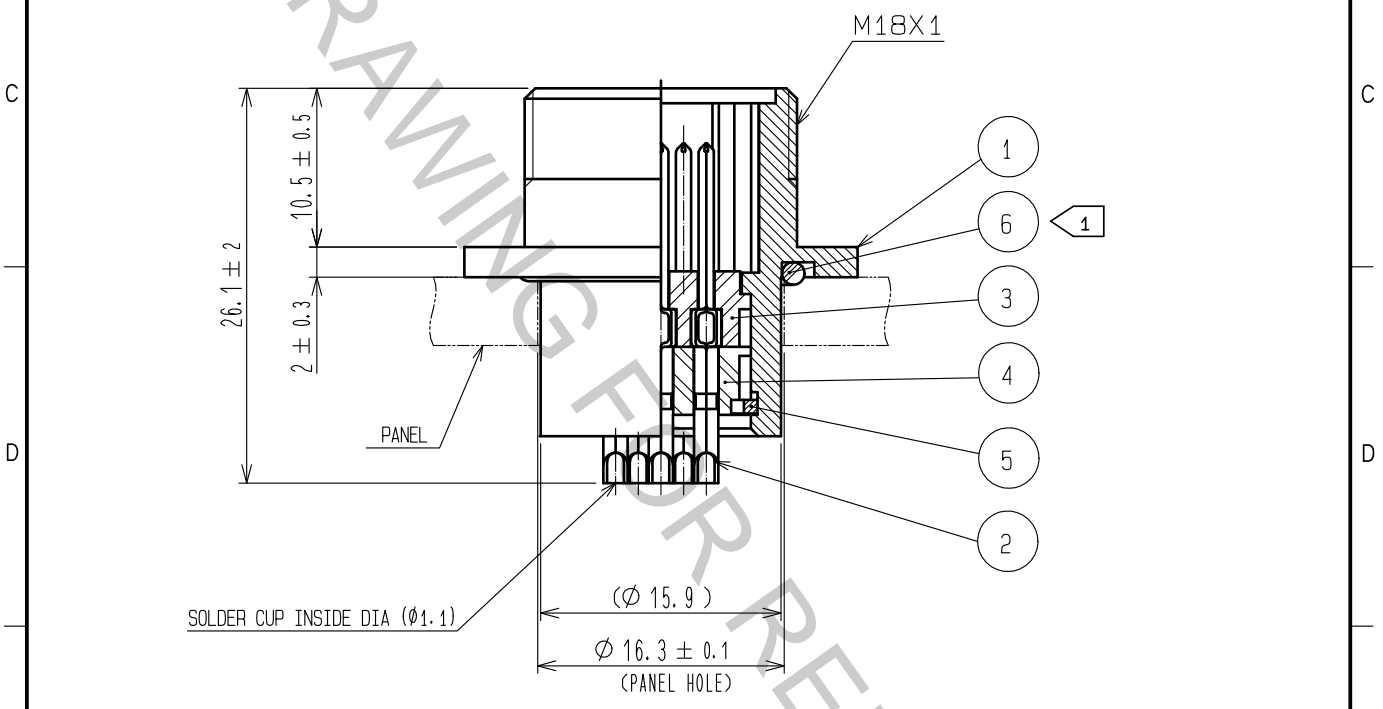
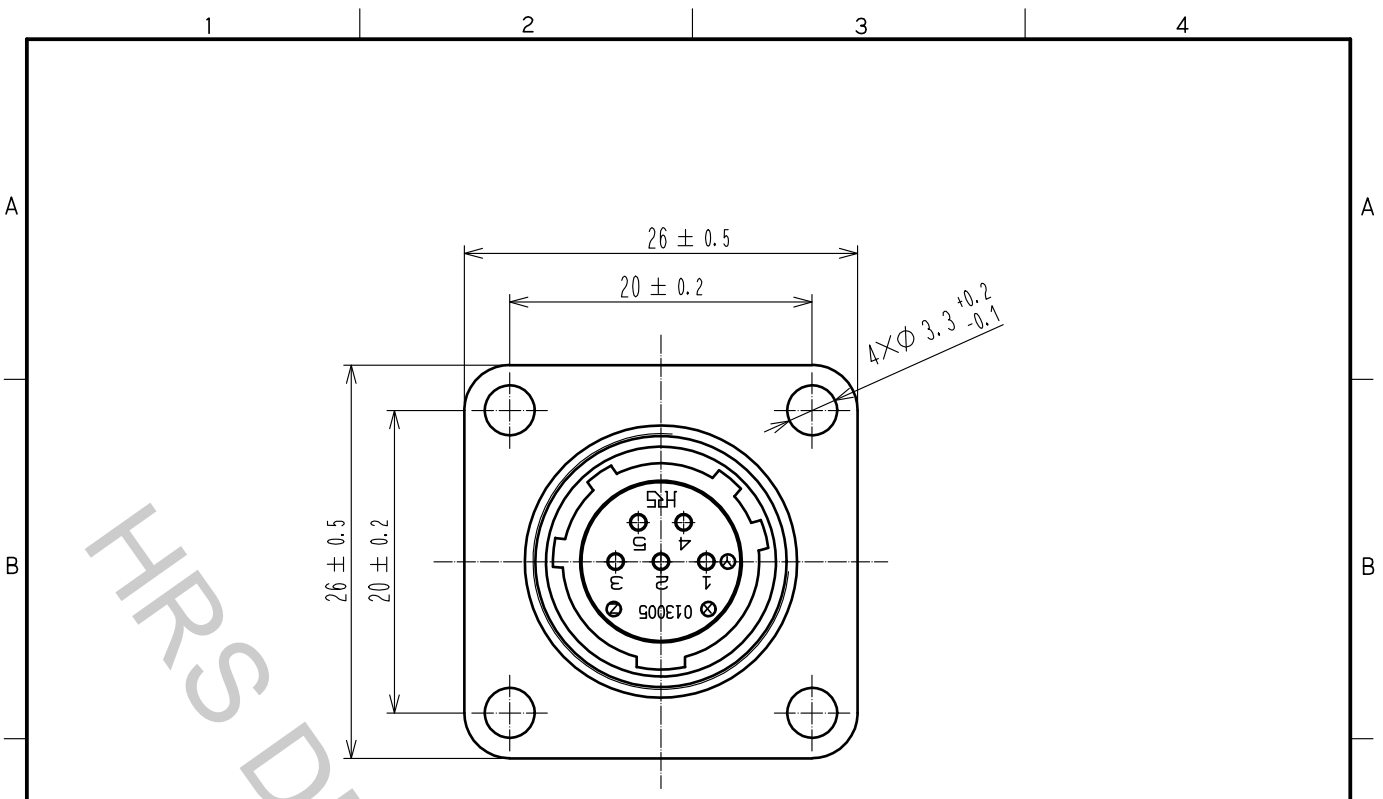


Aug.1.2018 Copyright 2018 HIROSE ELECTRIC CO., LTD. All Rights Reserved.
 In case that the application demands a high level of reliability, such as automotive,
 please contact a company representative for further information.



NOTE ① WHEN MOUNTED ON CHASSIS, BE CAREFUL THAT REFERENCE NO. ⑥ IS FITTED INTO THE INDICATED GROOVE WITHOUT ANY BITING.

3	PHENOL-FORMALDEHYDE (BLACK)	UL94V-0	6	ACRYLONITRILE BUTADIENE RUBBER (BLACK)			
2	COPPER ALLOY SILVER PLATING	3µm min	5	PHOSPHOR BRONZE NICKEL PLATING			
1	ALUMINUM ALLOY BLACK CHROME PLATING		4	PHENOL-FORMALDEHYDE (BLACK) UL94V-0			
NO.	MATERIAL	FINISH .	REMARKS	NO.	MATERIAL	FINISH .	REMARKS

UNITS mm		SCALE 2 : 1	COUNT 	DESCRIPTION OF REVISIONS	DESIGNED	CHECKED	DATE
-------------	--	----------------	-----------	--------------------------	----------	---------	------

HIROSE ELECTRIC CO., LTD.	APPROVED :HY. KOBAYASHI	18. 02. 22	DRAWING NO.	EDC-110578-31-00
	CHECKED :HY. KOBAYASHI	18. 02. 22	PART NO.	JR13WR-5P(31)
	DESIGNED :TH. KAMEYA	18. 02. 22	CODE NO.	CL114-2024-0-31
	DRAWN :MK. INOUE	18. 02. 13		