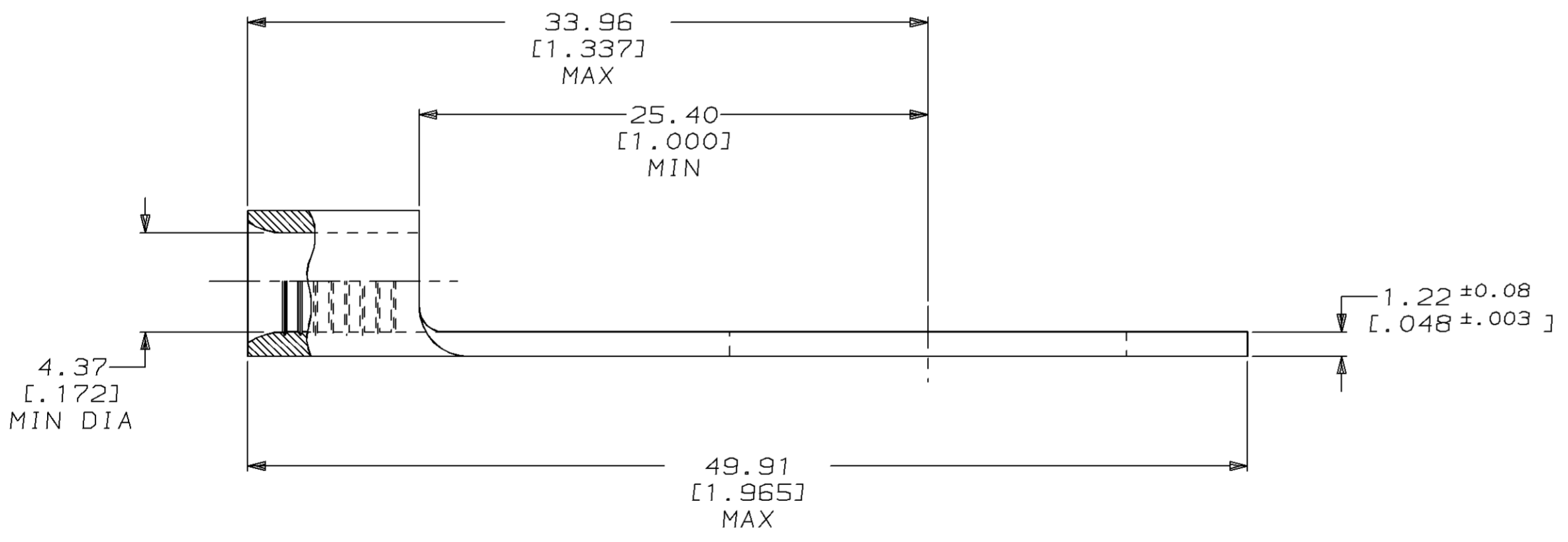
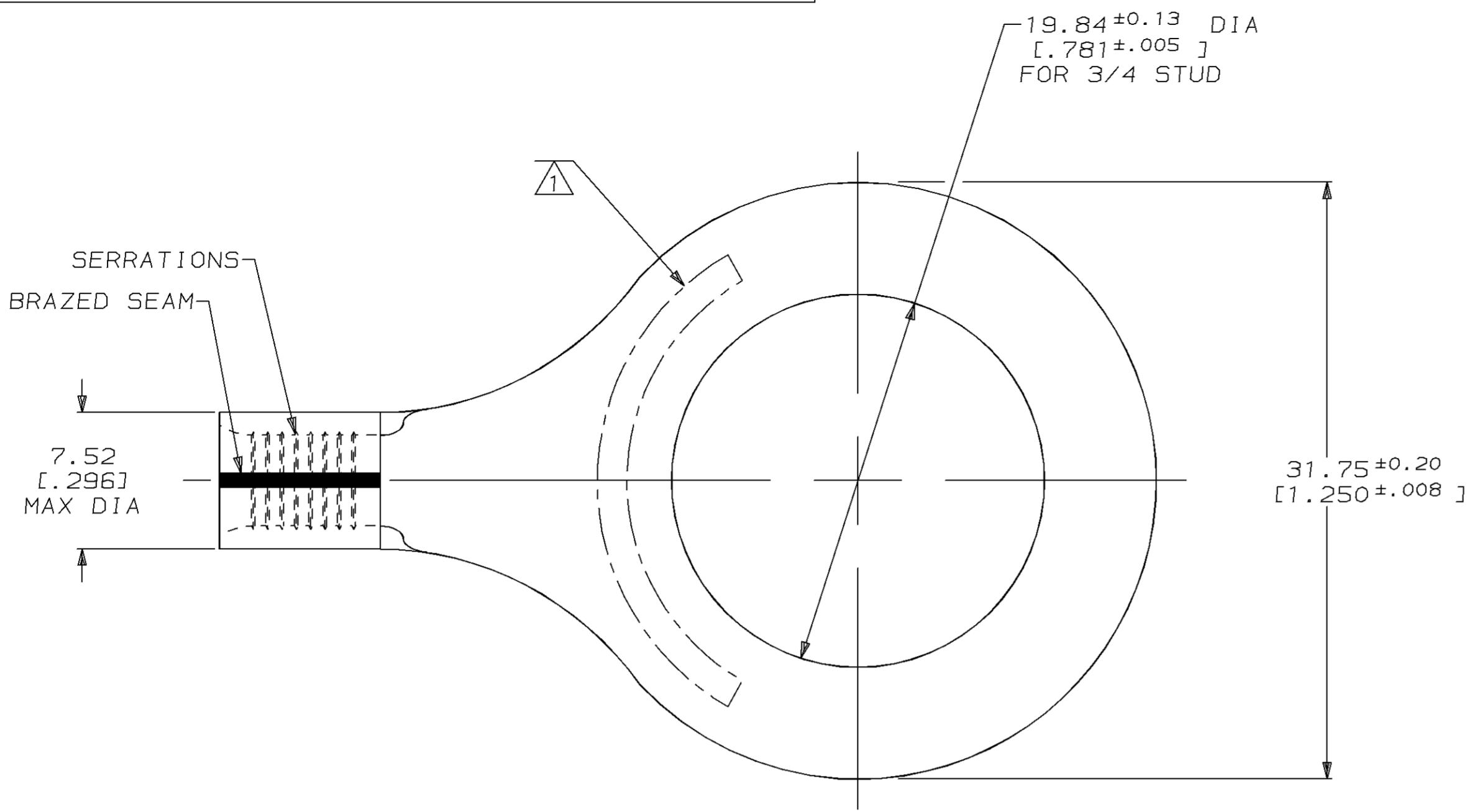


LOC	DIST	P	F	ZONE	LTR	DESCRIPTION	DATE	APPD
G	14				D	REACTIVATED & REDRAWN PER 0720-0077-94	11JUL94	OKS DAP

METRIC
 DIMENSIONS LISTED IN mm [INCHES]

AMP WIRE RANGE	E13288 Listed
8 AWG SOLID OR STRANDED	8 AWG STRANDED
LR7189 Certified	MILITARY P/N AND CLASS
8 AWG SOLID OR STRANDED	NOT APPLICABLE

① STAMP AMP 8* APPROX AS SHOWN



AMP INCORPORATED CUSTOMER SERVICE SYSTEMS		MAX RECOMMENDED OPERATING TEMPERATURE: 170°C MAX	DO NOT SCALE PRINT. UNLESS SPECIFIED DIMENSIONS IN mm [INCHES] TOLERANCES ON: 2 PLC DEC ± - 3 PLC DEC ± - ANGLES ± -	DR 11JUL94 DK SCHRUM	35666 PART NO		
FOR ADDITIONAL PRODUCT INFORMATION OR COPIES OF DRAWINGS AND TECHNICAL DOCUMENTS	PRODUCT INFORMATION CENTER 1-800-522-6752	VOLTAGE RATING: NOT APPLICABLE	MATERIAL COPPER PER ASTM B-152 ANNEALED	CHK 03AUG94 DA PATTERSON	AMP AMP Incorporated Harrisburg, PA 17105-3608		
FOR APPLICATION TOOLING INFORMATION	TOOLING ASSISTANCE CENTER 1-800-722-1111	WIRE CROSS SECTIONAL AREA RANGE: 6.64-10.5mm² [13,100-20,800] CIR MILS SOLID OR STRANDED	FINISH TIN PLATE 0.00254 [0.000100] MIN THK PER MIL-T-10727	APPD 03AUG94 CH KULYNYCH	NAME TERMINAL, RING TONGUE, SOLISTRAND™		
FOR ORDER ENTRY	1-800-526-5142	THIS DRAWING IS A CONTROLLED DOCUMENT FOR AMP INCORPORATED. IT IS SUBJECT TO CHANGE AND THE CONTROLLING ENGINEERING ORGANIZATION SHOULD BE CONTACTED FOR THE LATEST REVISION.		APPD 03AUG94 JL MECKLEY	PRODUCT SPEC -	SIZE C 00779	DRAWING NO C=35666
AMP 1471-6 REV 3-92				APPLICATION SPEC -	WEIGHT -	SCALE 4:1	SHEET 1 OF 1