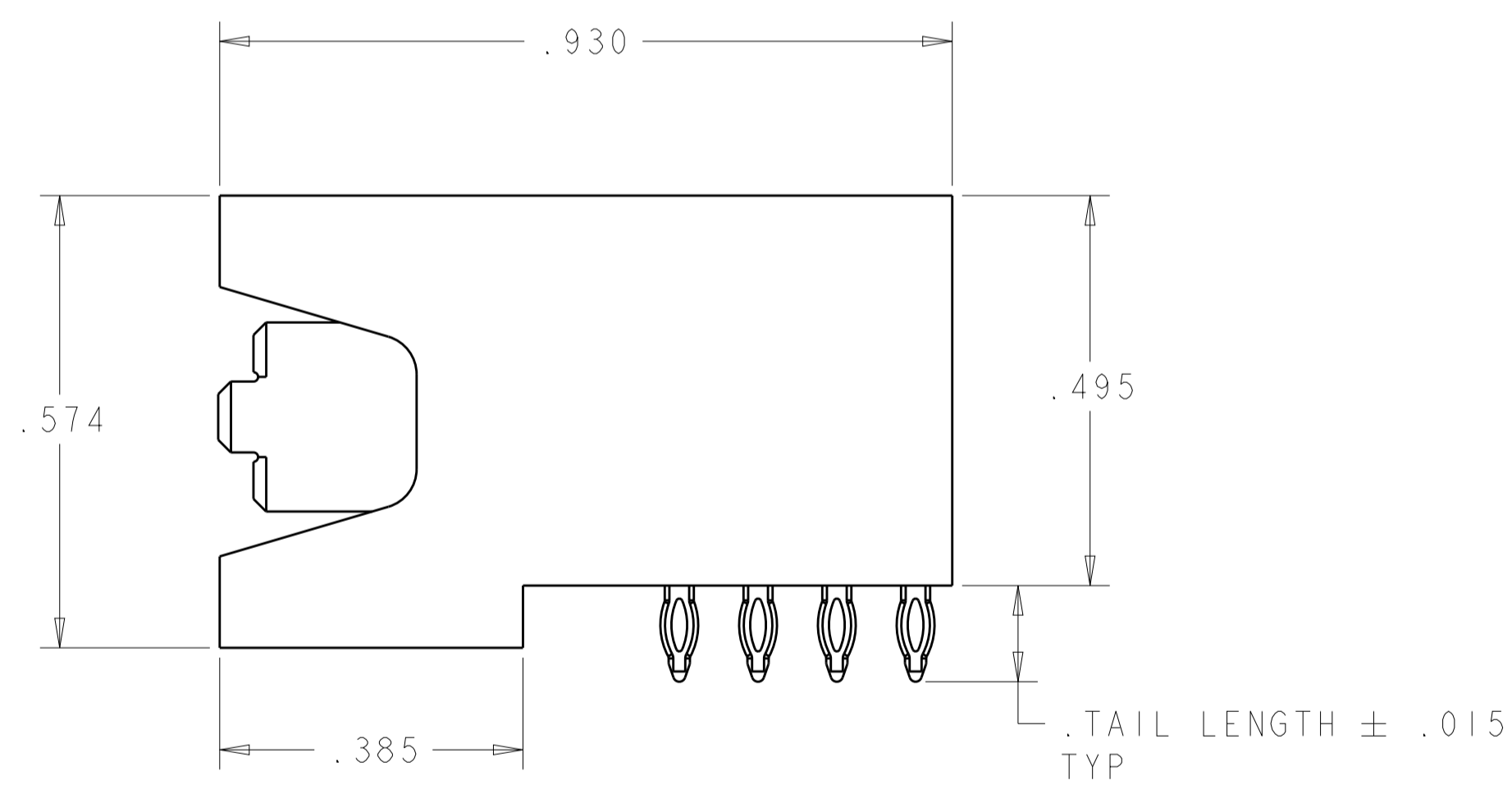
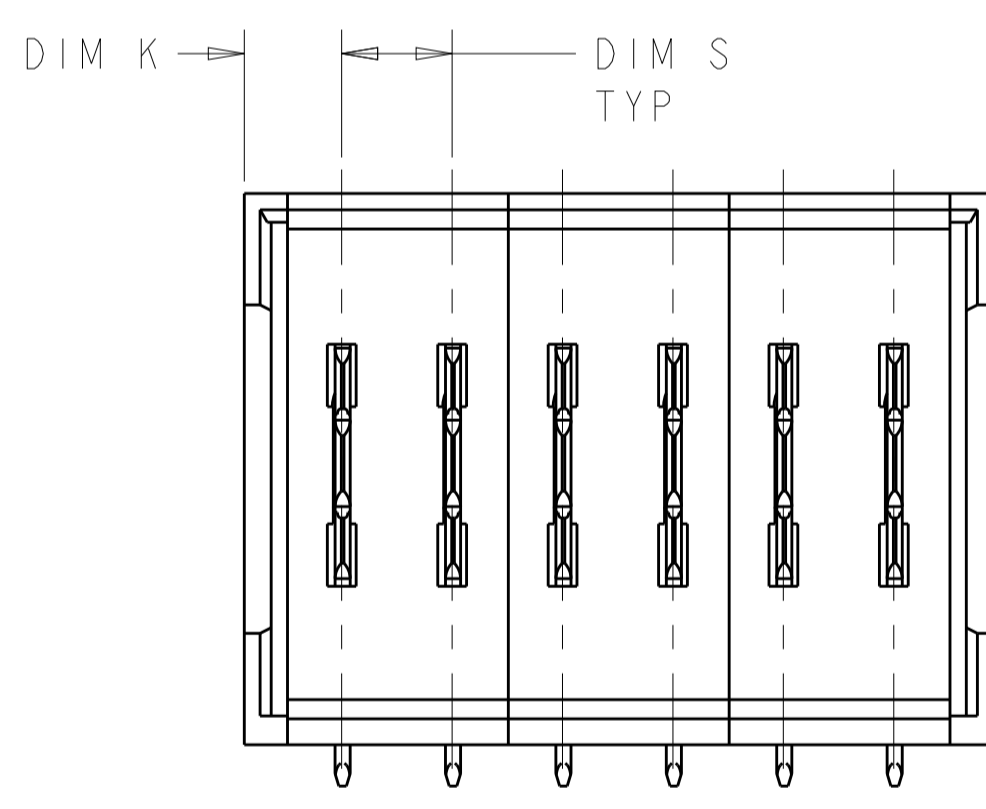
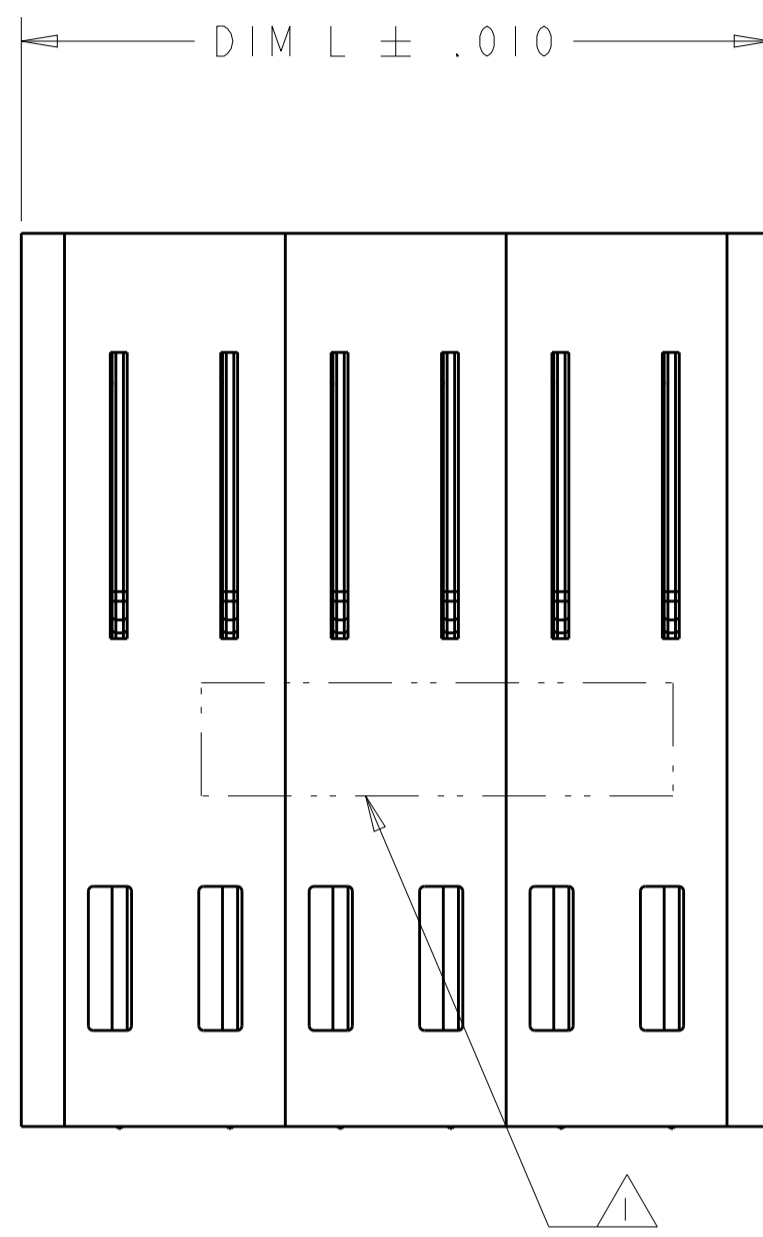


LOC	DIST	REVISIONS					
		P	LTN	DESCRIPTION	DATE	DWN	APVD
ES	00		D3	ADD NEW DASH NUMBER 1-5	20MAR2015	CZ	SZ




- △ "AMP" PART NUMBER AND DATE CODE TO BE MARKED IN AREA SHOWN. PARTS UNDER 2.00 LONG MAY BE MARKED ON BOTH SIDES.
- △ MATERIAL: HOUSING - GLASS FILLED HIGH TEMP THERMO PLASTIC, UL94 V-0
POWER CONTACT - HIGH CONDUCTIVITY COPPER ALLOY
- △ CONTACT PLATING: NOBLE METAL PLATING ON CONTACT FUNCTIONAL AREA OF POWER AND SIGNAL CONTACTS
- △ MECHANICAL CONNECTOR KEEP OUT ZONE
- △ DATUM AND BASIC DIMENSIONS ESTABLISHED BY CUSTOMER
- △ PCB - ALL HOLE DIAMETERS ARE FINISHED HOLE SIZES.
- △ PCB - .0453±.0010 DRILLED HOLES WITH .0003 WITH Sn OVER .001 TO .003 Cu PLATING TO ACHIEVE A .040±.003 DIA HOLE
- △ PLEASE REFER TO PART VIEW FOR DETAIL DIMENSIONS.

THIS DRAWING IS A CONTROLLED DOCUMENT.		DWN H. LIU 30APR2008	TE Connectivity
DIMENSIONS: INCHES		CHK S. ZHAO 30APR2008	
TOLERANCES UNLESS OTHERWISE SPECIFIED:		APVD S. YAO	NAME RIGHT ANGLE HEADER ASSEMBLY NO GUIDES MULTI-BEAM XLE
0 PLC ±	1 PLC ±.01	PRODUCT SPEC 108-2292	SIZE A100779C=6450849
2 PLC ±.005	3 PLC ±.0020	APPLICATION SPEC 114-13038	RESTRICTED TO
4 PLC ±.0020	ANGLES ±.7°	WEIGHT	SCALE 4:1 SHEET 1 OF 8 REV D3
MATERIAL	FINISH	CUSTOMER DRAWING	

THIS DRAWING IS UNPUBLISHED. RELEASED FOR PUBLICATION 20
 © COPYRIGHT 20 BY - ALL RIGHTS RESERVED.

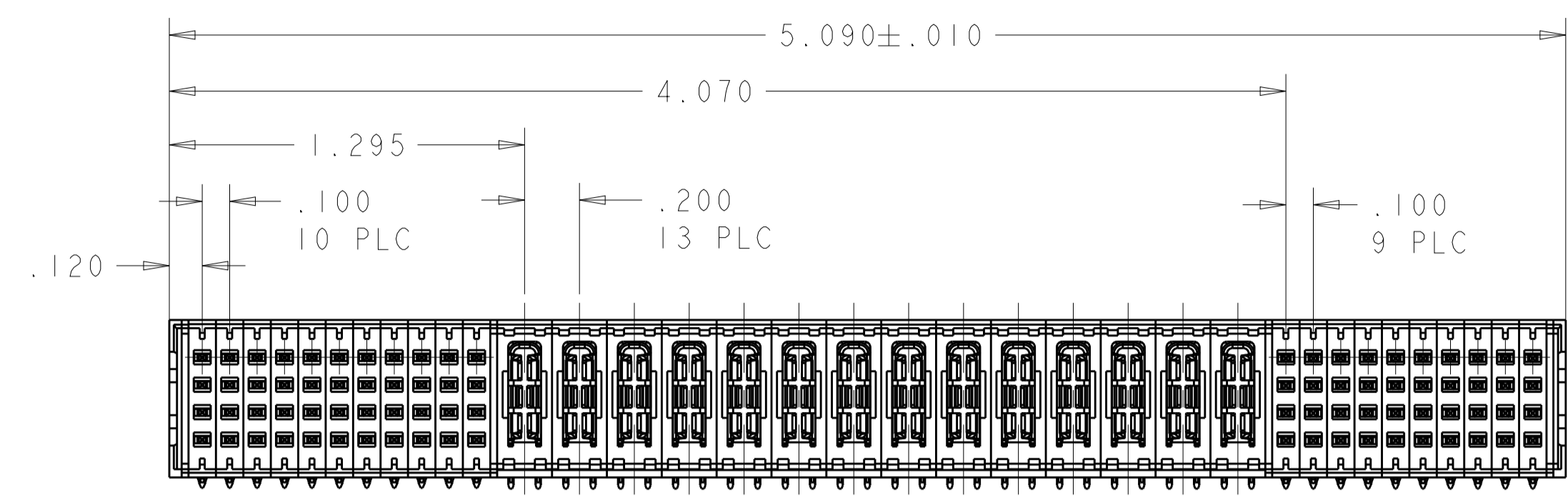
LOC	DIST	REVISIONS					
		P	LTN	DESCRIPTION	DATE	DWN	APVD
ES	00	-	-	SEE SHEET 1	-	-	-

.115	-	-	.1025	.435	3LP	1-6450849-5
.115	-	-	.1025	.320	2LP	1-6450849-4
-	1.2675	.260	.1025	1.370	1LP + 40S + 1LP	1-6450849-3 ⁸
-	-	-	-	.450	2P	1-6450849-2 ⁸
-	-	-	-	.540	2P	1-6450849-0 ⁸
-	-	-	-	-	2HDP + 3LP + 40S + 4LP + 2HDP	6450849-9 ⁸
-	.5175	.260	.1025	.630	1LP + 8S + 1LP	6450849-8 ⁸
-	-	-	-	-	2ACP+1LP+32S+3HDP+1LP+1HDP	6450849-7 ⁸
-	-	-	-	-	8P	6450849-4 ⁸
-	-	-	-	-	12P	6450849-3 ⁸
-	-	-	-	-	44S+14P+40S	6450849-2 ⁸
.115	-	-	.1025	.780	6LP	6450849-1
DIM S	DIM R	DIM W	DIM K	DIM L	DESCRIPTION	PART NUMBER

THIS DRAWING IS A CONTROLLED DOCUMENT.		DWN	30APR2008		TE Connectivity	
		CHK	30APR2008		NAME	
DIMENSIONS:		TOLERANCES UNLESS OTHERWISE SPECIFIED:		PRODUCT SPEC		
INCHES		0 PLC ±.01		108-2292		
		1 PLC ±.01		APPLICATION SPEC		
		2 PLC ±.005		114-13038		
		3 PLC ±.0020		WEIGHT		
		ANGLES ±.020		114-13038		
MATERIAL		FINISH		CUSTOMER DRAWING		
				SCALE 4:1 SHEET 2 OF 8 REV D3		

LOC	DIST	REVISIONS			
P	LTN	DESCRIPTION	DATE	OWN	APVD
-	-	SEE SHEET 1	-	-	-

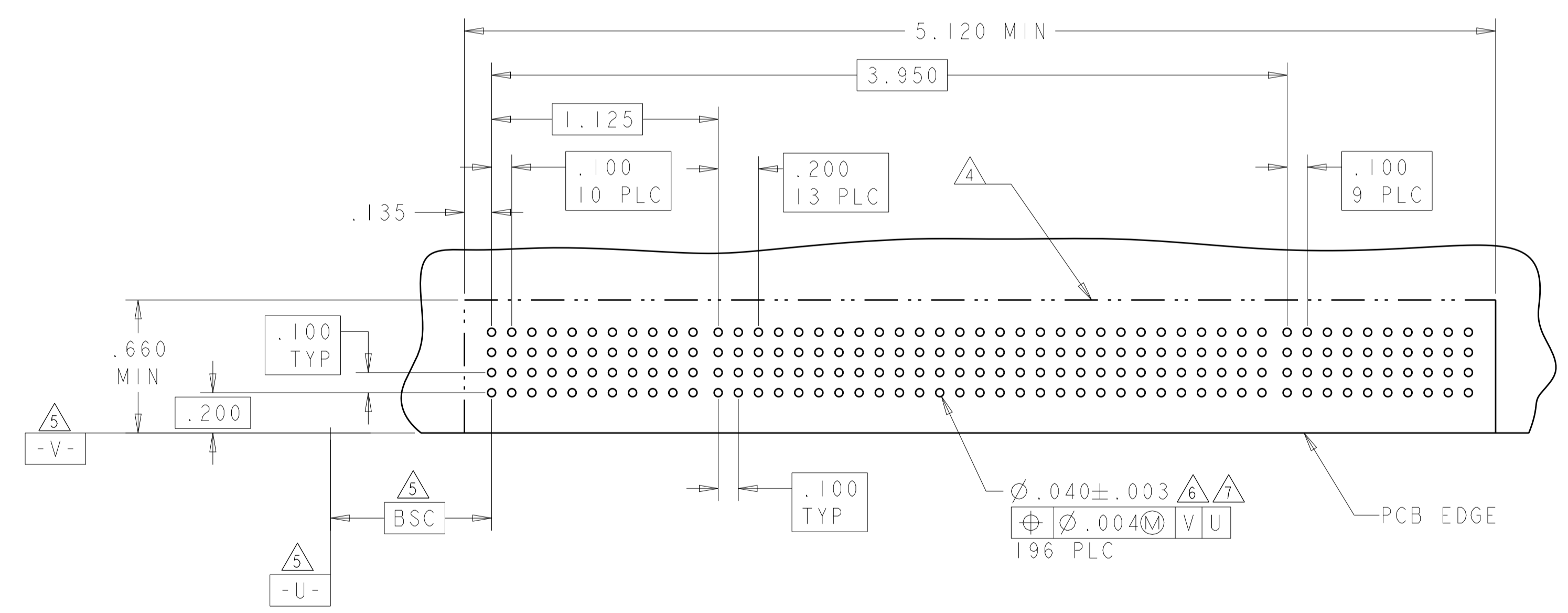
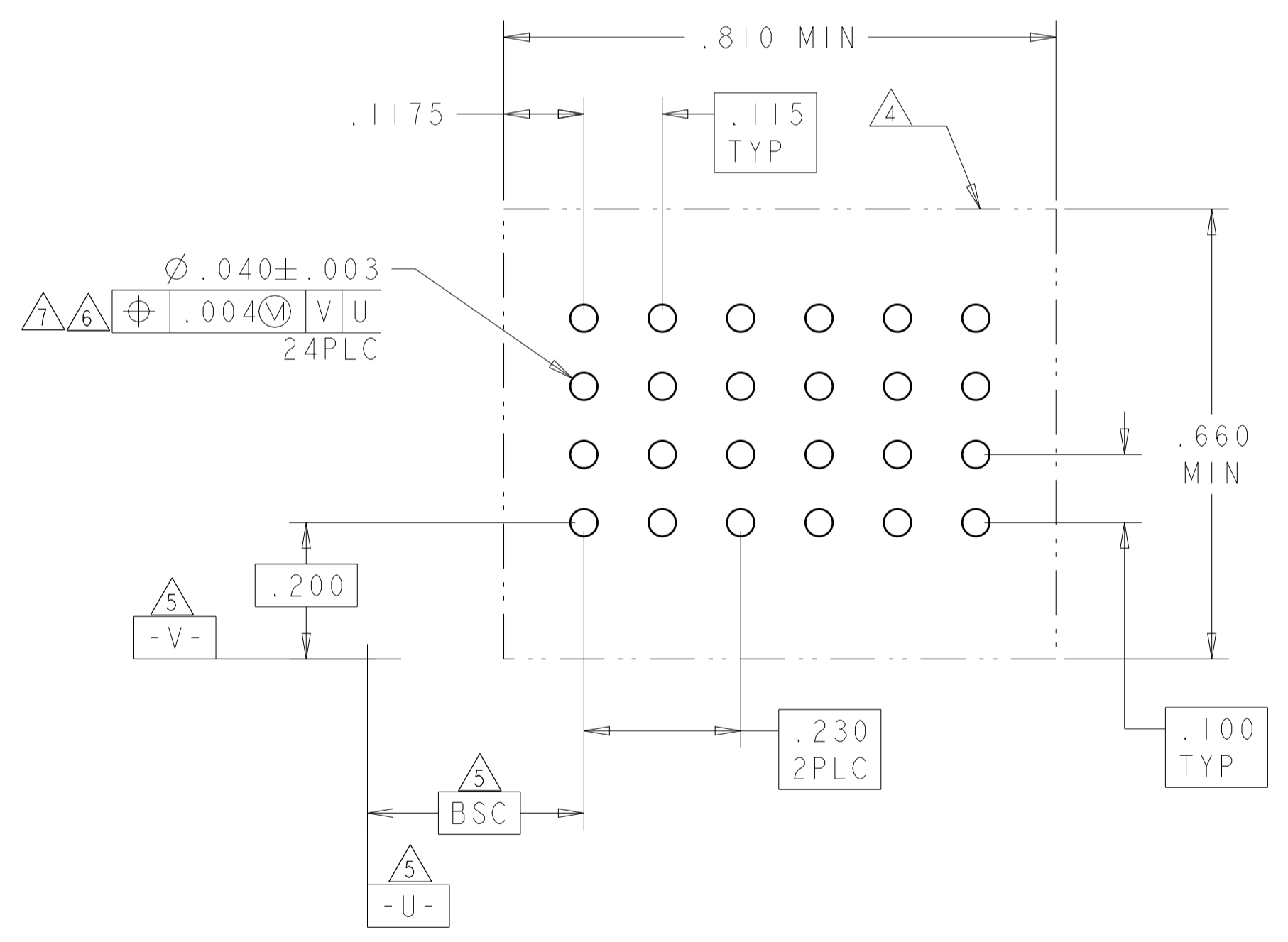
PART NUMBER	POWER					
	LP1	LP2	LP3	LP4	LP5	LP6
6450849-1	LT	LT	LT	LTF	LTF	LTF
6 LP						



PART NUMBER: 6450849-2

ASSY PART NUMBER	ROWS	SIGNAL										POWER										SIGNAL												
		1	2	3	4	5	6	7	8	9	10	P1	P2	P3	P4	P5	P6	P7	P8	P9	P10	P11	P12	P13	P14	1	2	3	4	5	6	7	8	9
6450849-2	D	Z5	Z5	Z5	Z5	Z5	Z5	Z5	Z5	Z5	TT	TT	TT	TT	TT	TT	TT	TT	TT	TT	TT	TT	TT	TT	Z5	Z5	Z5	Z5	Z5	Z5	Z5	Z5	Z5	Z5
	C	Y5	Y5	Y5	Y5	Y5	Y5	Y5	Y5	Y5	TT	TT	TT	TT	TT	TT	TT	TT	TT	TT	TT	TT	TT	TT	Y5	Y5	Y5	Y5	Y5	Y5	Y5	Y5	Y5	Y5
	B	R5	R5	R5	R5	R5	R5	R5	R5	R5	TT	TT	TT	TT	TT	TT	TT	TT	TT	TT	TT	TT	TT	TT	R5	R5	R5	R5	R5	R5	R5	R5	R5	R5
	A	O5	O5	O5	O5	O5	O5	O5	O5	O5	TT	TT	TT	TT	TT	TT	TT	TT	TT	TT	TT	TT	TT	TT	O5	O5	O5	O5	O5	O5	O5	O5	O5	O5

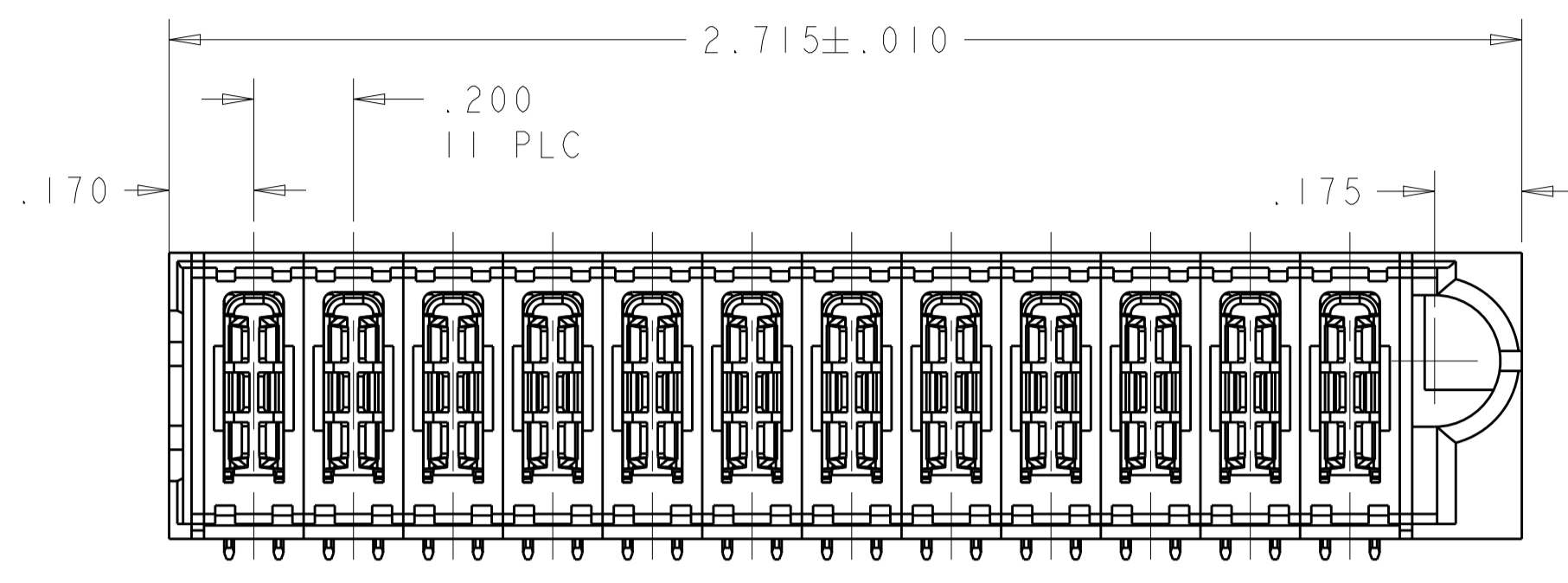
44S + 14P + 40S



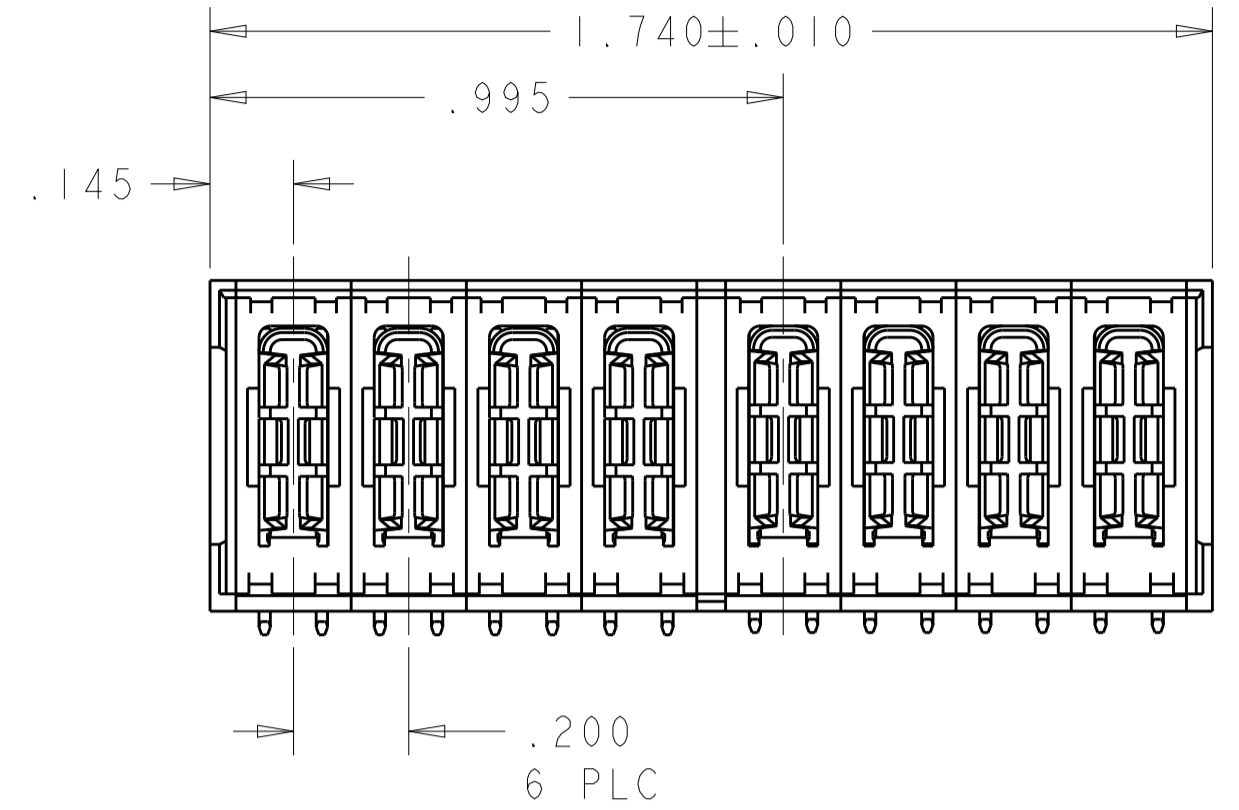
O1	.120 SIGNAL PRESS FIT CON, ROW A,MLBF
Z5	.120 SIGNAL PRESS FIT CON, ROW D,STD
Y5	.120 SIGNAL PRESS FIT CON, ROW C,STD
R5	.120 SIGNAL PRESS FIT CON, ROW B,STD
O5	.120 SIGNAL PRESS FIT CON, ROW A,STD
TT	.120 PRESS FIT POWER CON
LTF	MFBL, .120 TAIL LENGTH, PRESS FIT.
LT	STD, .120 TAIL LENGTH, PRESS FIT.
CODE	DESCRIPTION
	POWER CONTACT

THIS DRAWING IS A CONTROLLED DOCUMENT.		OWN: H.LIU 30APR2008	 TE Connectivity
DIMENSIONS: INCHES		CHK: S.ZHAO 30APR2008	
TOLERANCES UNLESS OTHERWISE SPECIFIED:		APVD: S.YAO	NAME: RIGHT ANGLE HEADER ASSEMBLY NO GUIDES MULTI-BEAM XLE
0 PLC ±.01	1 PLC ±.01	PRODUCT SPEC: 108-2292	SIZE: A100779
2 PLC ±.01	3 PLC ±.005	APPLICATION SPEC: 114-13038	CAGE CODE: C=6450849
4 PLC ±.0020	ANGLES ±.0020	WEIGHT: -	RESTRICTED TO: -
MATERIAL: -	FINISH: -	CUSTOMER DRAWING	SCALE: 4:1 SHEET 3 OF 8 REV: D3

LOC	DIST	REVISIONS			
P	LTN	DESCRIPTION	DATE	DMN	APVD
ES	00	SEE SHEET 1	-	-	-

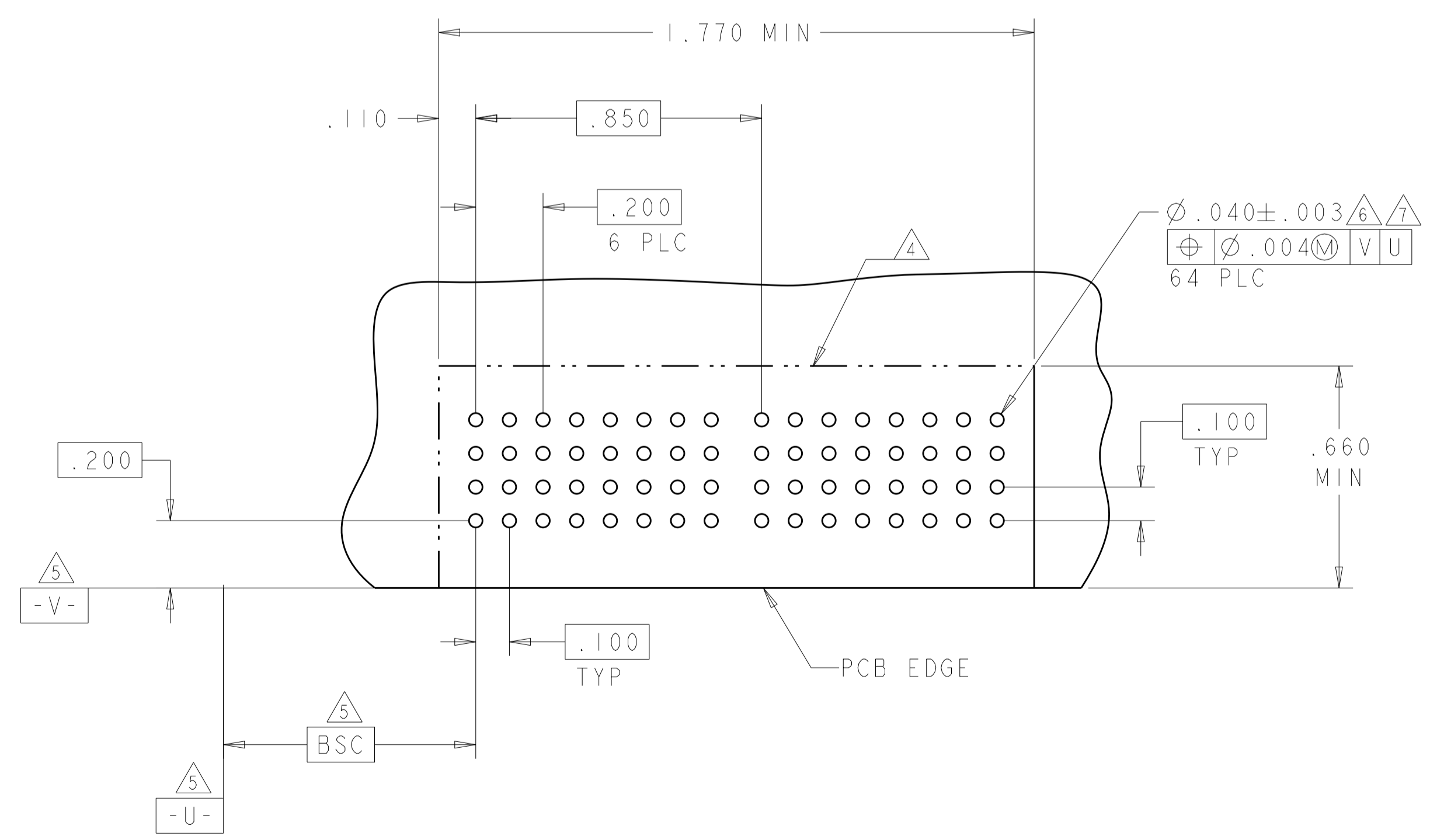
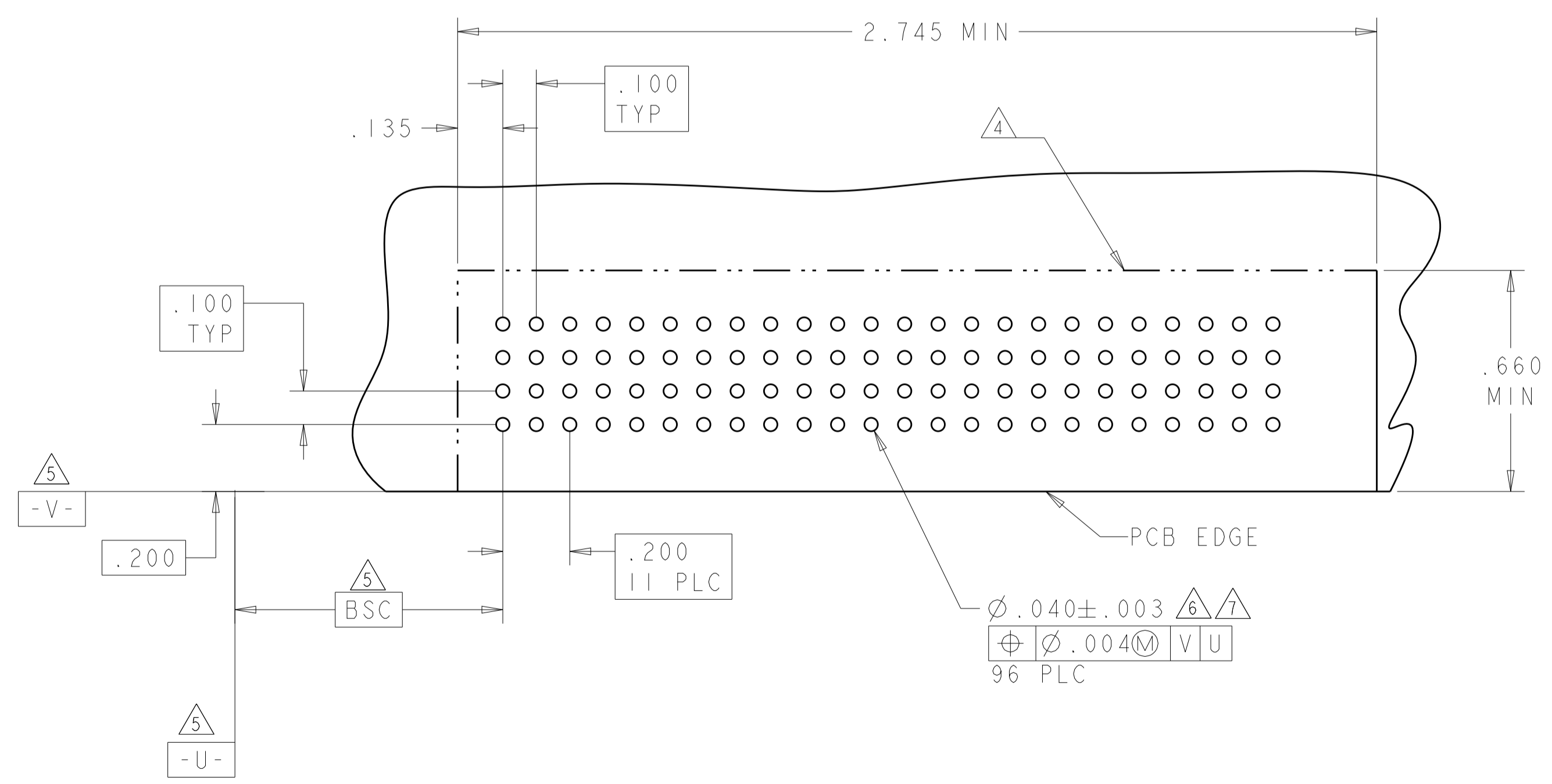


PART NUMBER: 6450849-3



ASSY PART NUMBER	POWER											
	P1	P2	P3	P4	P5	P6	P7	P8	P9	P10	P11	P12
6450849-3	TT	TT	TT	TT	TT	TT	TT	TT	TT	TT	TT	TT
12P												

PART NUMBER	ROWS	POWER							
		P1	P2	P3	P4	P5	P6	P7	P8
6450849-4	D								
	C	TT	TT	TT	TT	TT	TT	TT	TT
	B								
	A								
8P									



THIS DRAWING IS A CONTROLLED DOCUMENT. DWN: H.LIU 30APR2008
 CHK: S.ZHAO 30APR2008

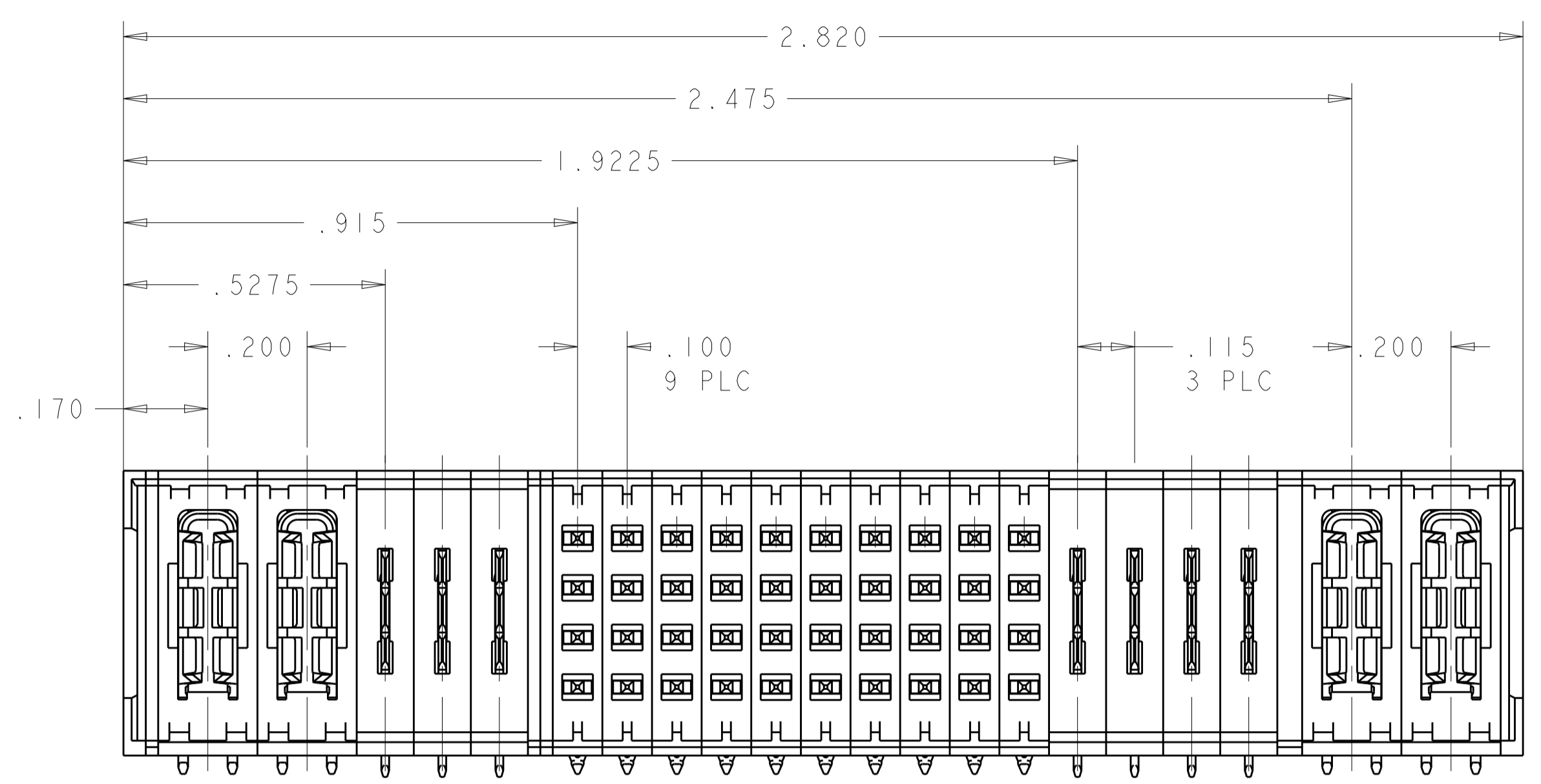
TE Connectivity

RIGHT ANGLE HEADER ASSEMBLY
 NO GUIDES
 MULTI-BEAM XLE

SIZE: A1 CAGE CODE: 114-13038 DRAWING NO: 100779 ©=6450849
 RESTRICTED TO: 4 OF 8 REV: D3

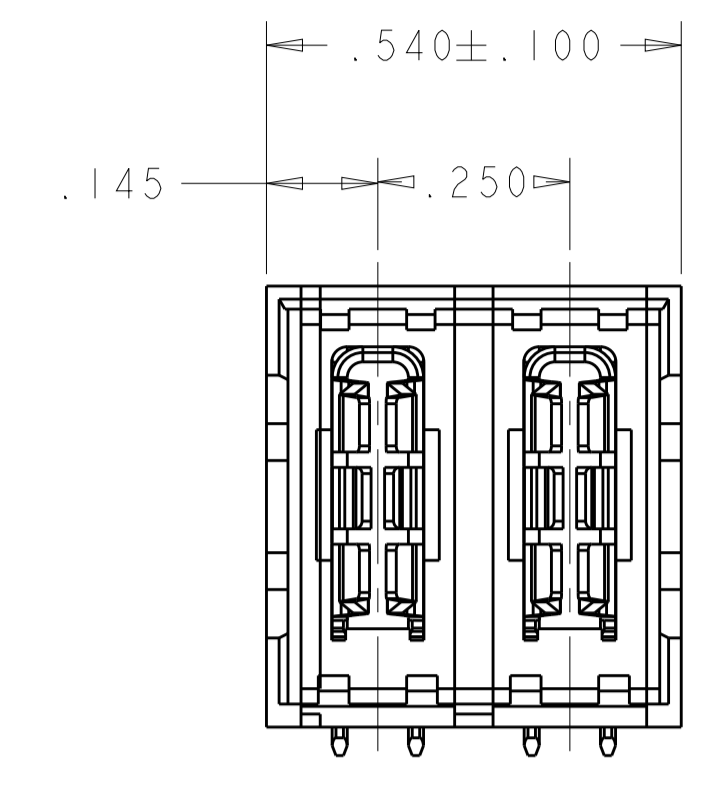
SCALE: 4:1 SHEET: 4 OF 8

LOC	DIST	REVISIONS			
P	LTN	DESCRIPTION	DATE	DMN	APVD
ES	00	SEE SHEET 1	-	-	-

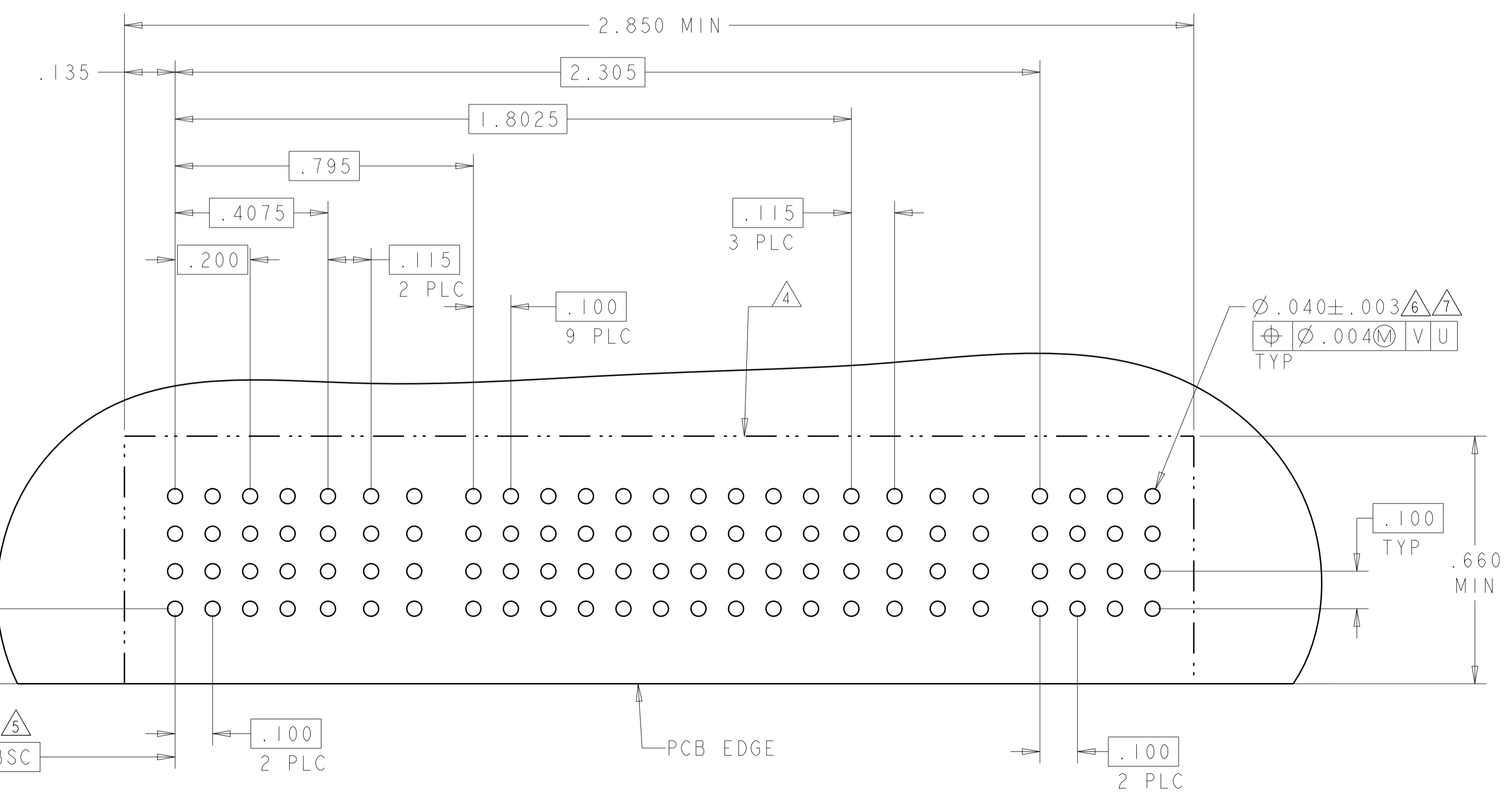


C5

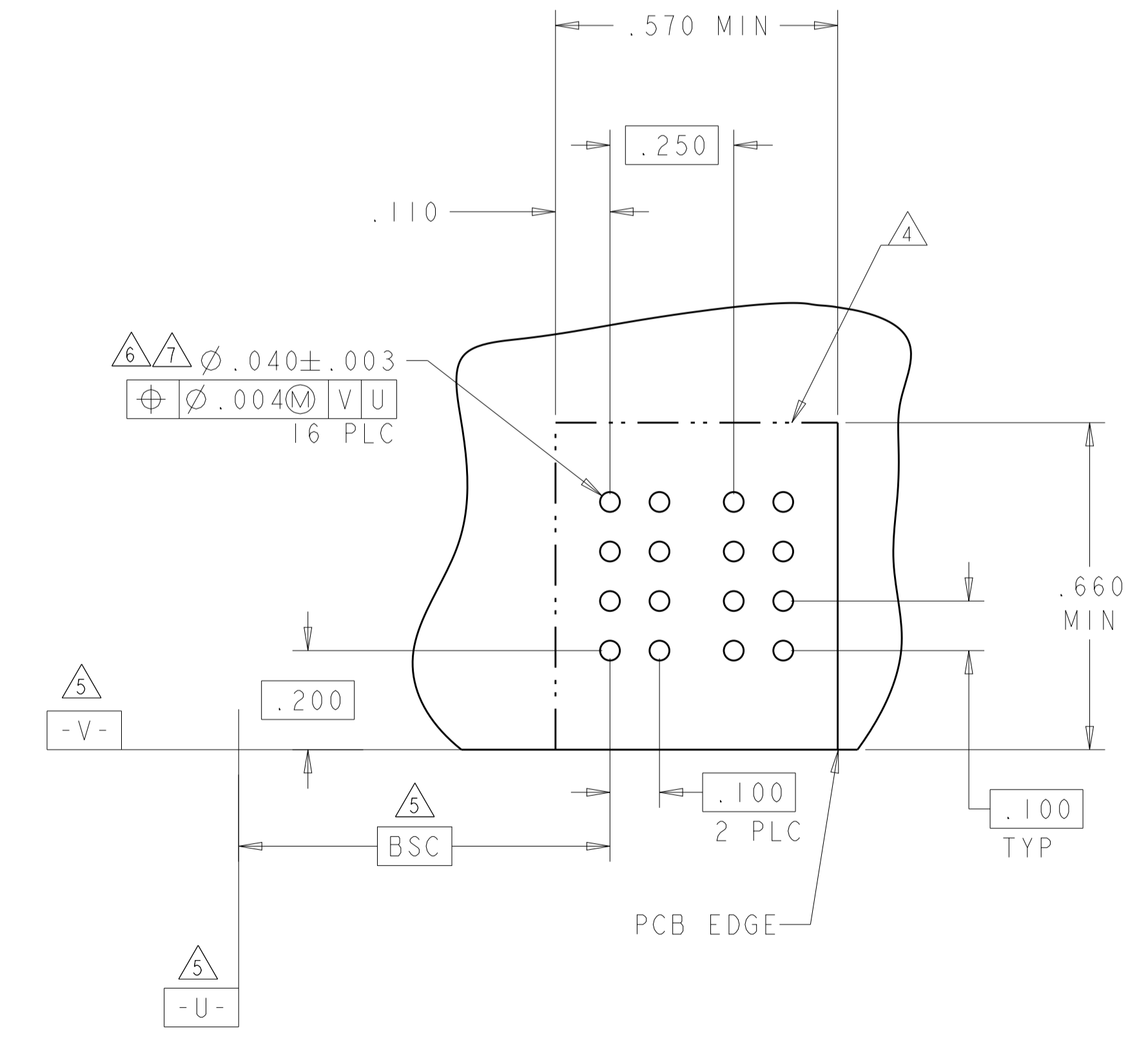
PART NUMBER	ROWS	POWER					SIGNAL										POWER					
		P1	P2	LP1	LP2	LP3	1	2	3	4	5	6	7	8	9	10	P3	P4	P5	LP2	P6	
6450849-9	D						Z5	Z5	Z5	Z5	Z5	Z5	Z5	Z5	Z5							
	C	TT	TT	LT	LT	LT	Y5	Y5	Y5	Y5	Y5	Y5	Y5	Y5	Y5							
	B						R5	R5	R5	R5	R5	R5	R5	R5	R5							
	A						O5	O5	O5	O5	O5	O5	O5	O5	O5							
2HDP+3LP+40S+4LP+2HDP																						



PART NUMBER	ROWS	POWER	
		P1	P2
I-6450849-0	D		
	C	TT	TT
	B		
	A		
2P			



C5

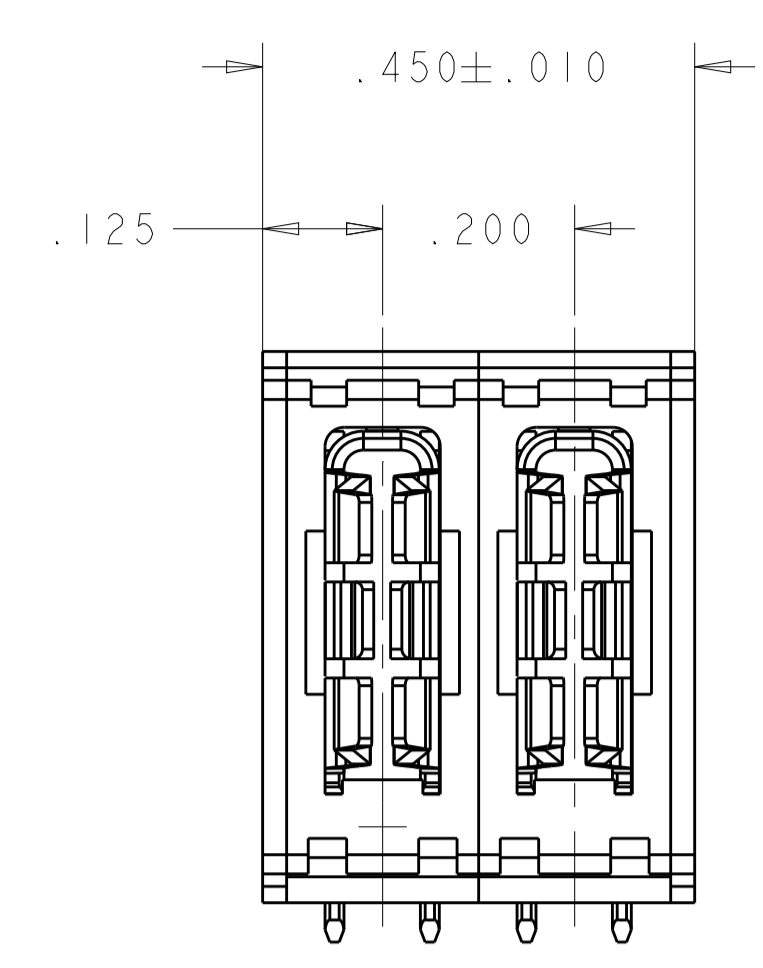


THIS DRAWING IS A CONTROLLED DOCUMENT.

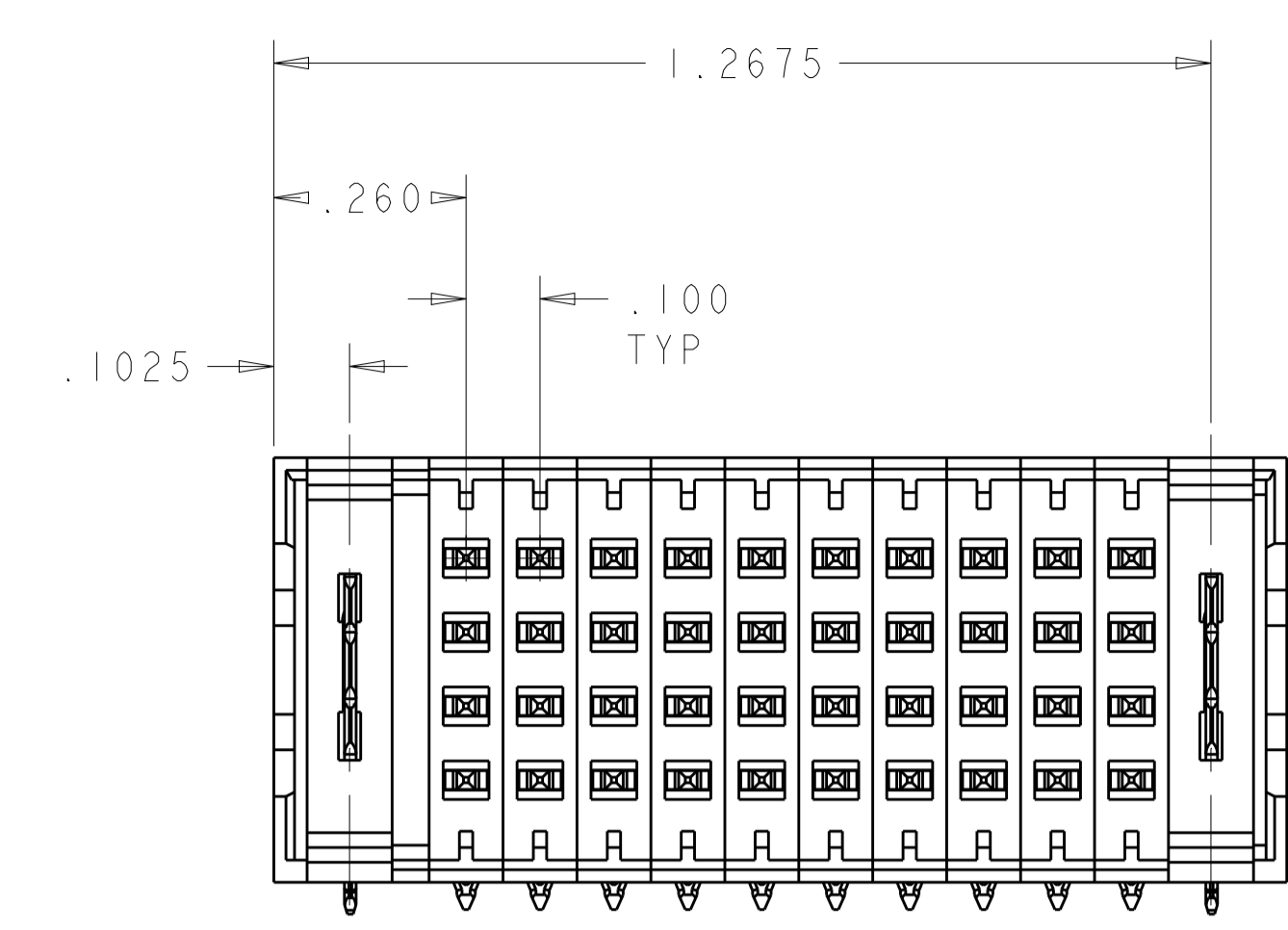
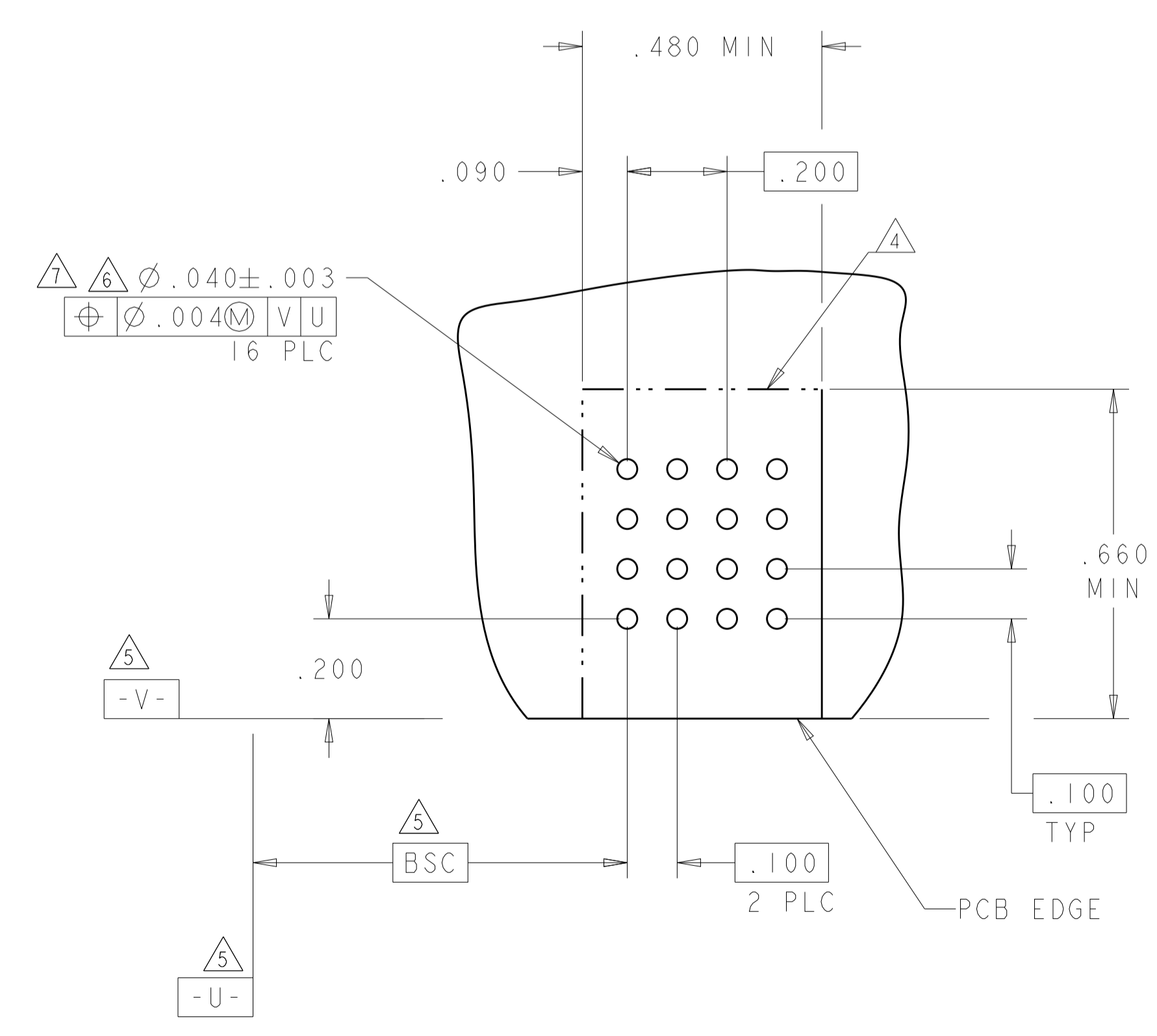
DIMENSIONS: INCHES	TOLERANCES UNLESS OTHERWISE SPECIFIED:	DMN: H. LIU 30APR2008	CHK: S. ZHAO 30APR2008	APVD: S. YAO	NAME: RIGHT ANGLE HEADER ASSEMBLY NO GUIDES MULTI-BEAM XLE
MATERIAL:	FINISH:	PRODUCT SPEC: 108-2292	APPLICATION SPEC: 114-13038	WEIGHT:	SIZE: A1
CUSTOMER DRAWING		SCALE: 4:1		SHEET 6 OF 8	

STE TE Connectivity

LOC		DIST		REVISIONS			
ES	00	P	LTN	DESCRIPTION	DATE	DWN	APVD
		-		SEE SHEET 1			

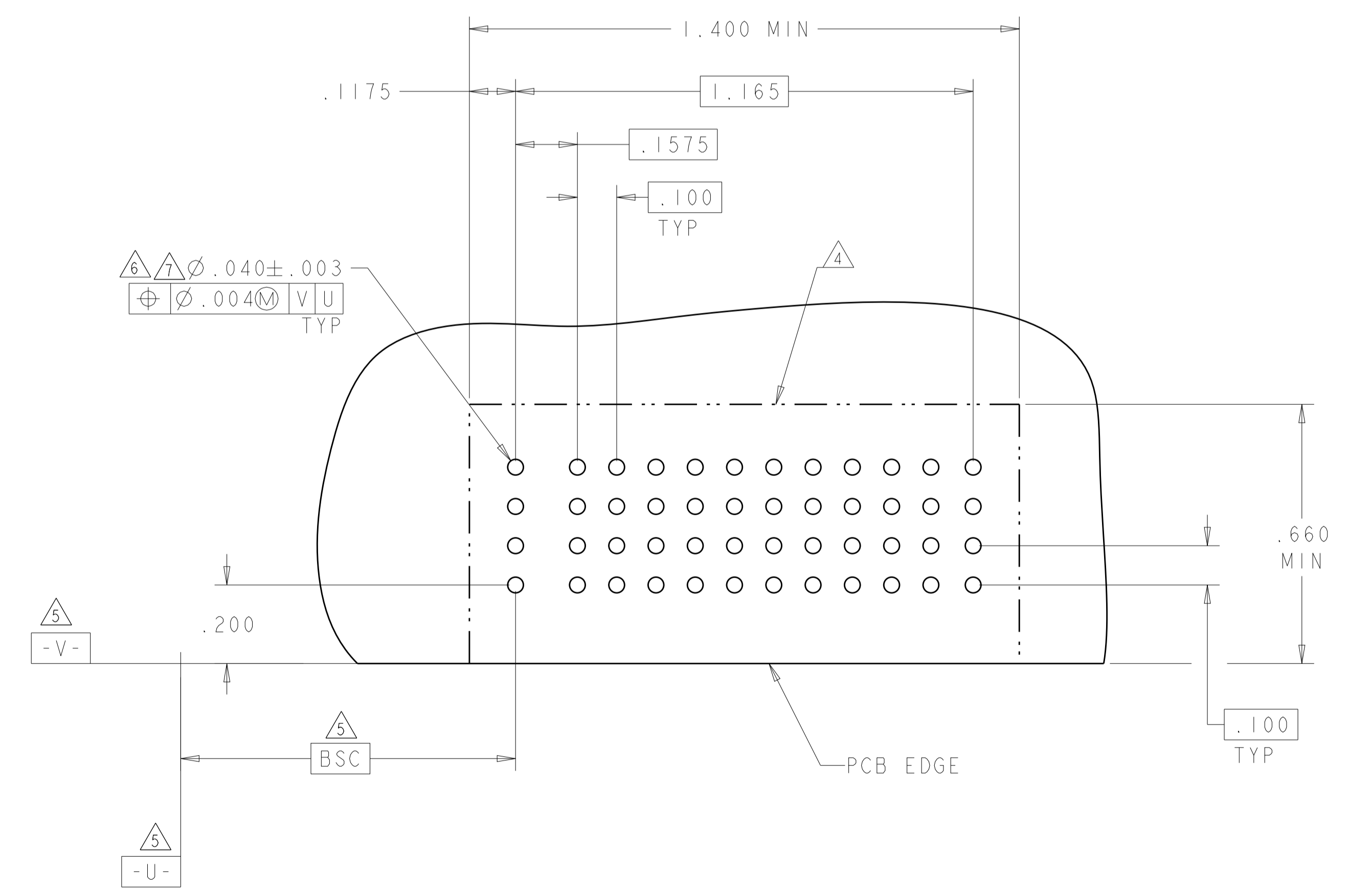


PART NUMBER	ROWS	POWER	
		P1	P2
I-6450849-2	D	TT	TT
	C		
	B		
	A		
2P			



OTHER DIMENSIONS PLEASE REFER TO PAGE 1

PART NUMBER	ROWS	POWER		SIGNAL										POWER	
		LP1		1	2	3	4	5	6	7	8	9	10	LP2	
I-6450849-3	D	LT		Z5	Z5	Z5	Z5	Z5	Z5	Z5	Z5	Z5	Z5	Z5	LT
	C			Y5	Y5	Y5	Y5	Y5	Y5	Y5	Y5	Y5	Y5		
	B			R5	R5	R5	R5	R5	R5	R5	R5	R5	R5		
	A			O5	O5	O5	O5	O5	O5	O5	O5	O5	O5		
ILP + 40S + ILP															



THIS DRAWING IS A CONTROLLED DOCUMENT.

DIMENSIONS:	TOLERANCES UNLESS OTHERWISE SPECIFIED:	DWN	H.LIU	30APR2008
INCHES	0 PLC ± .01	CHK	S.ZHAO	30APR2008
	1 PLC ± .01	APVD	S.YAO	
	2 PLC ± .01	NAME	RIGHT ANGLE HEADER ASSEMBLY	
	3 PLC ± .005	PRODUCT SPEC	NO GUIDES	
	4 PLC ± .0020	APPLICATION SPEC	MULTI-BEAM XLE	
	ANGLES ± .0020	SIZE	CAGE CODE	DRAWING NO
MATERIAL	FINISH	114-13038	A100779	©=6450849
		RESTRICTED TO		
		WEIGHT		
		CUSTOMER DRAWING	SCALE	4:1
			SHEET	7 OF 8
			REV	D3

4805 (3/11)

