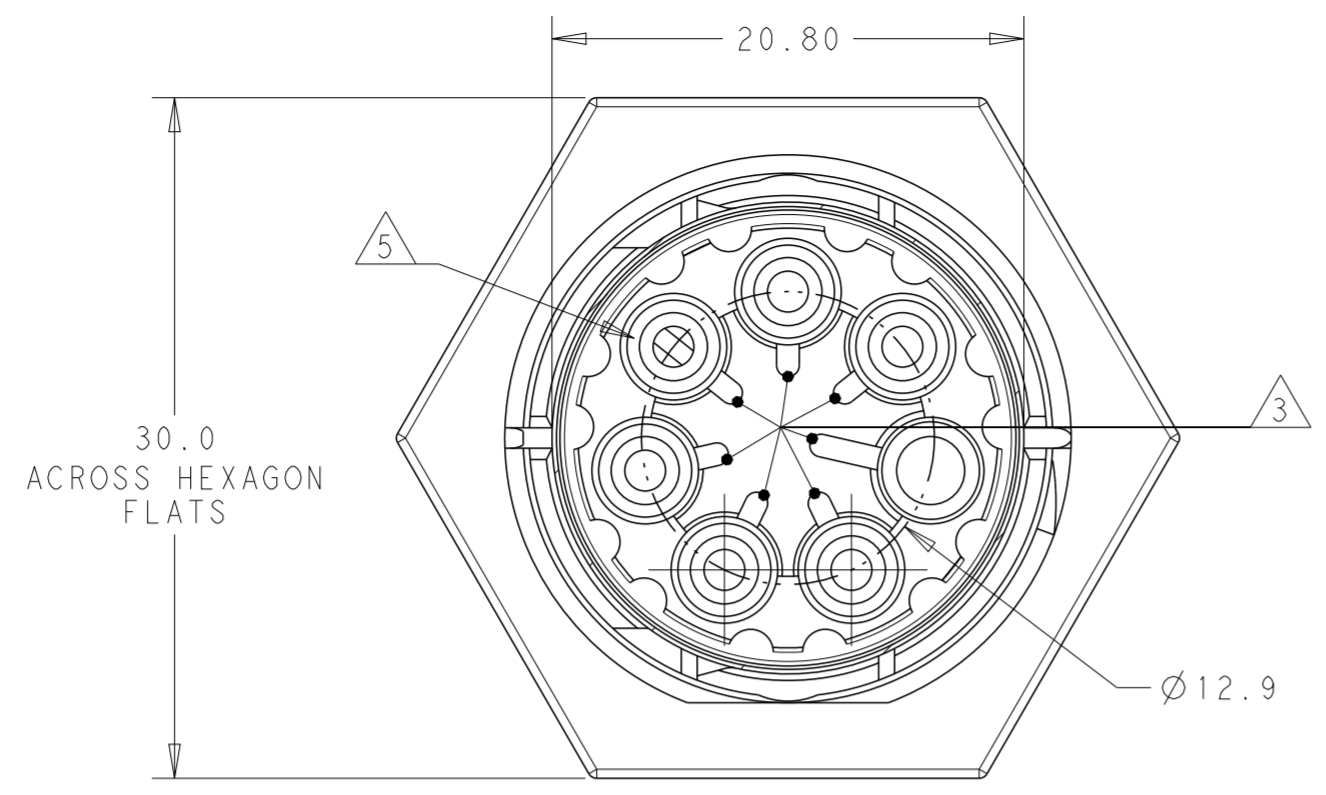


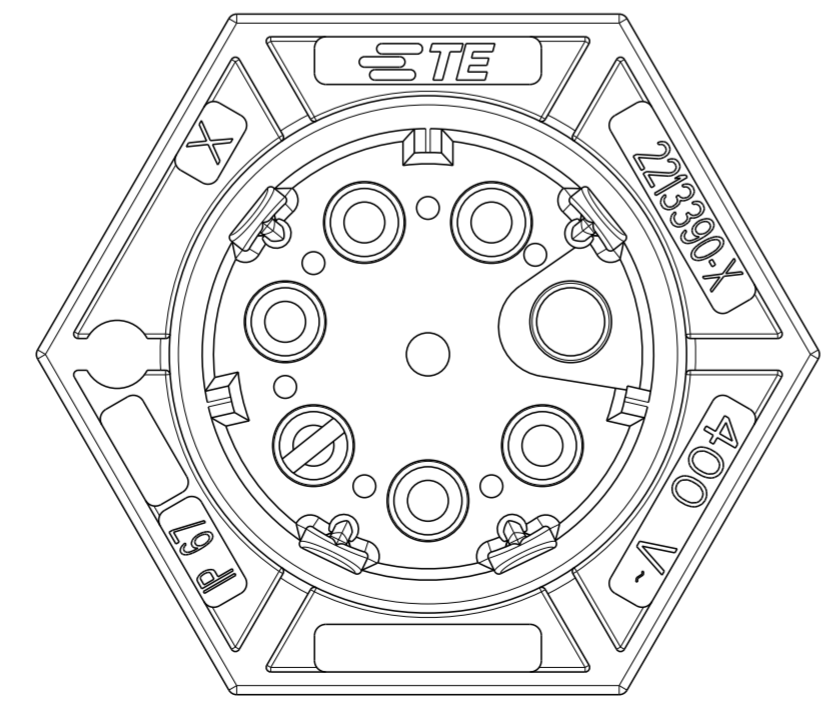
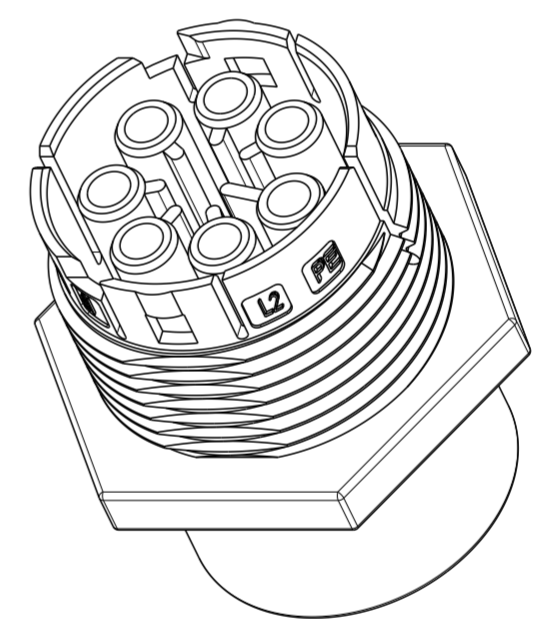
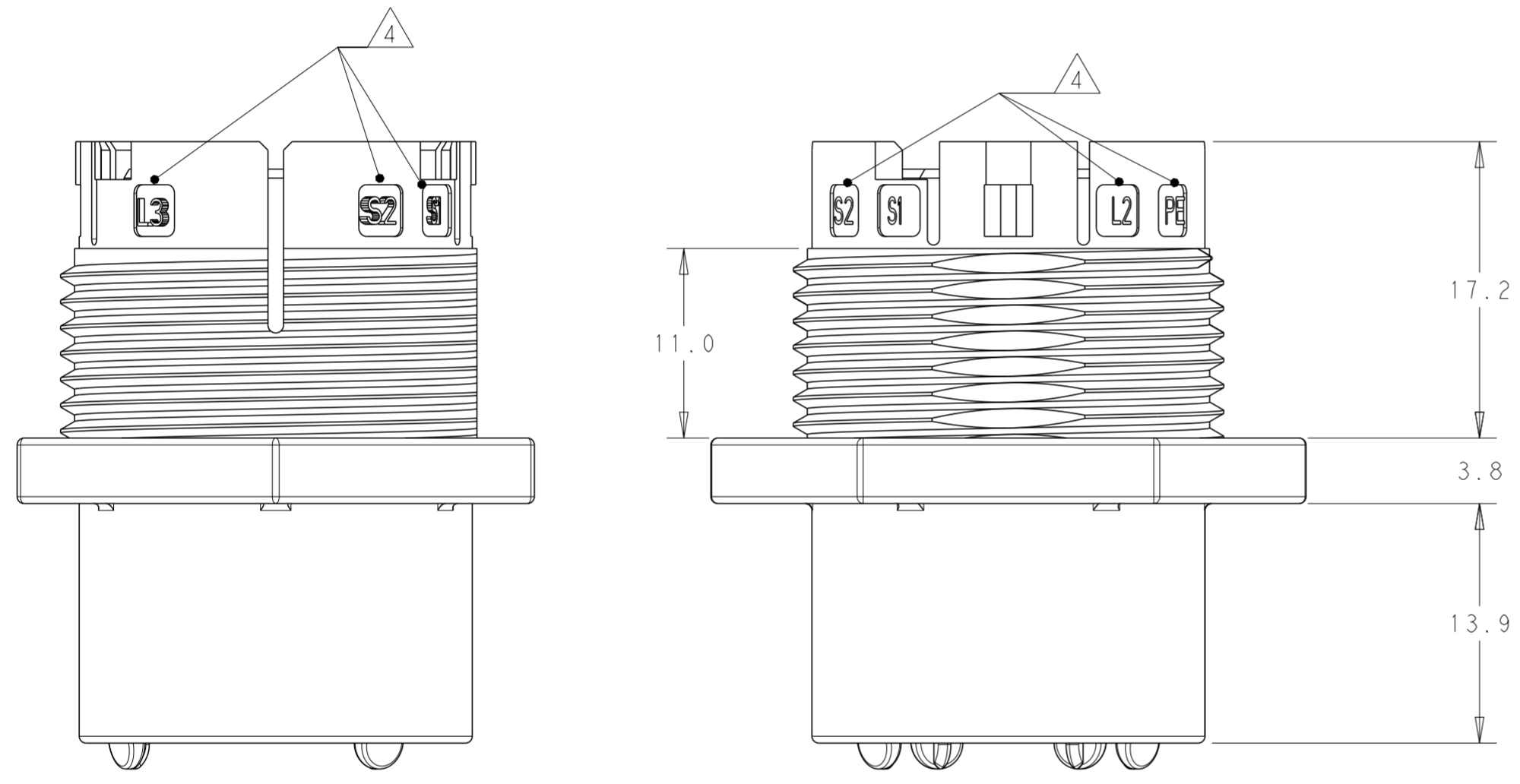
THIS DRAWING IS UNPUBLISHED. RELEASED FOR PUBLICATION 20
 © COPYRIGHT 20 BY - ALL RIGHTS RESERVED.

REVISIONS					
P	LTR	DESCRIPTION	DATE	DWN	APVD
A		REVISED AS PER ECR-15-005925	21APR2015	RS	JL
B		REVISED AS PER ECR-16-000859	08MAR2016	RS	JL



NOTES:

1. MATERIAL: GLASS FILLED PBT, COLOR: BLACK
2. MUST COMPLY WITH DIRECTIVE 2002/95/EC (ROHS)
3. ALL POLARIZATION KEYS SHOWN FOR REF ONLY.
4. CIRCUIT I.D.
5. CIRCUIT "L3" IS BLOCKED TO PREVENT CONTACT INSTALLATION.
6. THIS PRODUCT HAS NOT COMPLETED VALIDATION TESTING



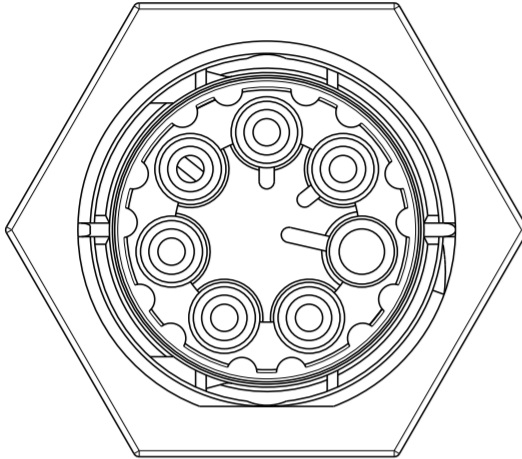
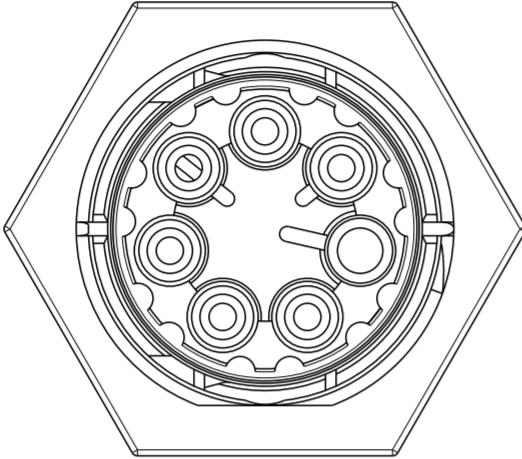
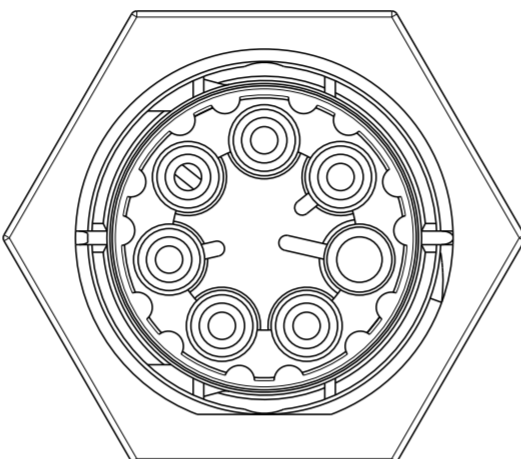
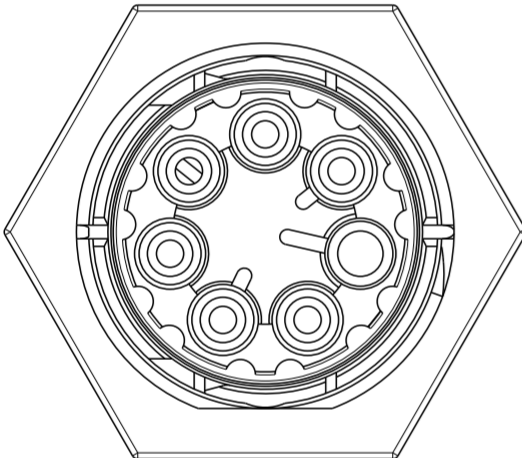
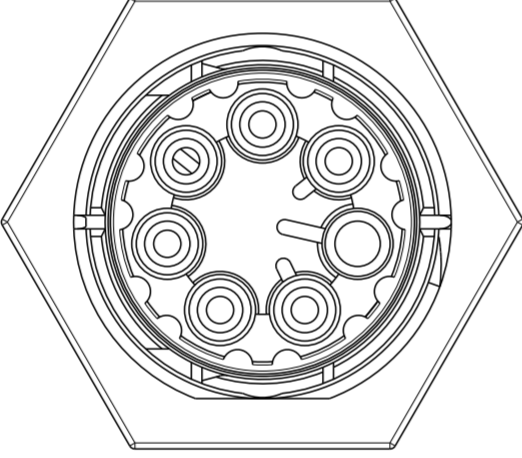
E	PANEL MT SKT. SEALED NECTOR M, 6 POLE	2213262-5
D	PANEL MT SKT. SEALED NECTOR M, 6 POLE	2213262-4
C	PANEL MT SKT. SEALED NECTOR M, 6 POLE	2213262-3
B	PANEL MT SKT. SEALED NECTOR M, 6 POLE	2213262-2
A	PANEL MT SKT. SEALED NECTOR M, 6 POLE	2213262-1
POLARIZATION KEYING		PART NUMBER
DESCRIPTION		

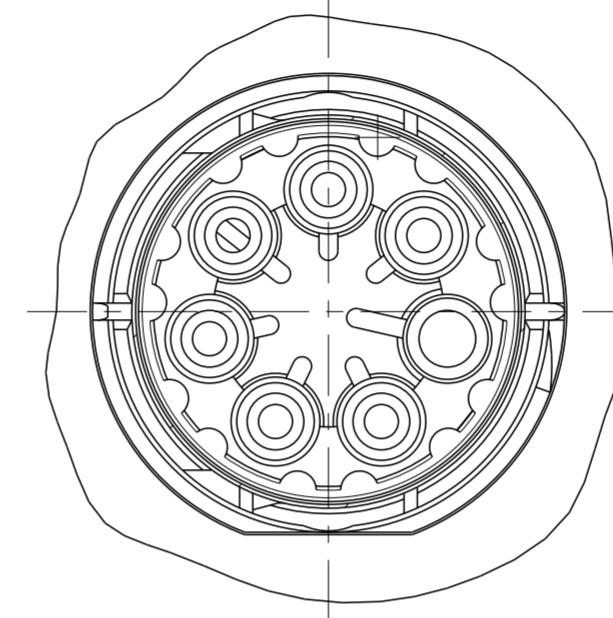
THIS DRAWING IS A CONTROLLED DOCUMENT.		DWN J. SHAFFER 13NOV2013	TE Connectivity	
DIMENSIONS: mm		CHK M. LUKSIC 13NOV2013		
TOLERANCES UNLESS OTHERWISE SPECIFIED:		APVD M. LUKSIC 13NOV2013	NAME	
0 PLC ±-		PRODUCT SPEC	PANEL MOUNT, SOCKET; SEALED NECTOR M; 6 POLE	
1 PLC ±0.2		108-133014	SIZE	A2
2 PLC ±0.13		APPLICATION SPEC	CAGE CODE	-
3 PLC ±-		114-32111	DRAWING NO	G-2213262
4 PLC ±-		WEIGHT	RESTRICTED TO	-
ANGLES ±-		Customer Drawing	SCALE	2:1
FINISH -			SHEET	1 OF 2
NOTE 1 -			REV	B

THIS DRAWING IS UNPUBLISHED. RELEASED FOR PUBLICATION 20
 © COPYRIGHT 20 BY - ALL RIGHTS RESERVED.

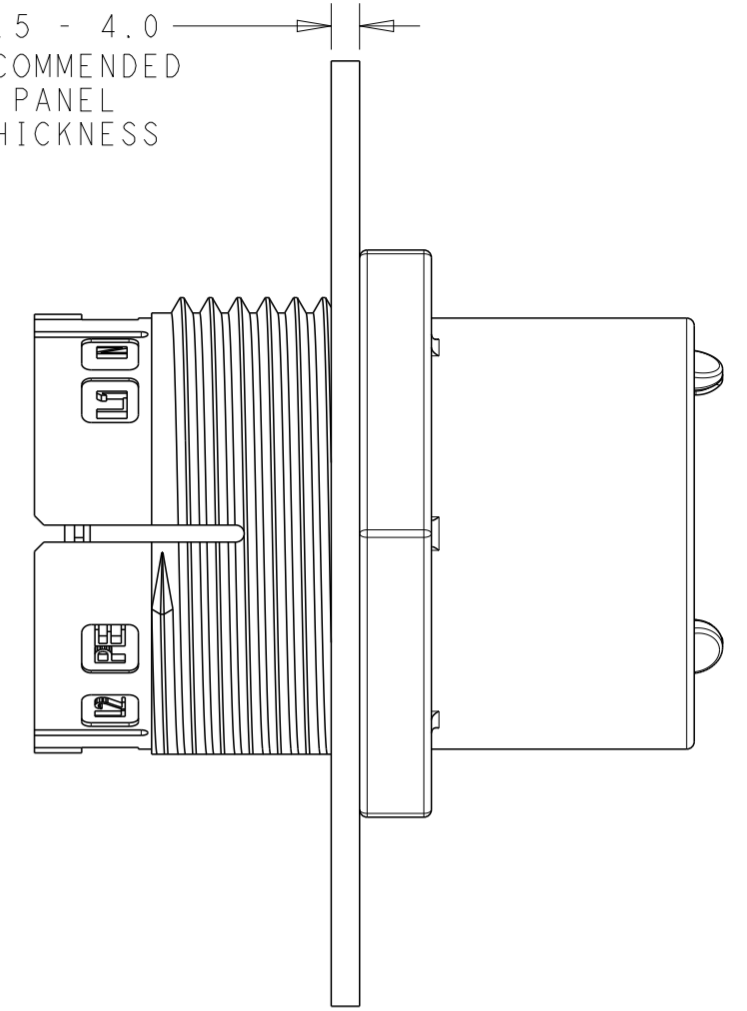
REVISIONS				
P	LTR	DESCRIPTION	DATE	APVD
-	-	SEE SHEET 1	-	-

POLARIZATION TYPES

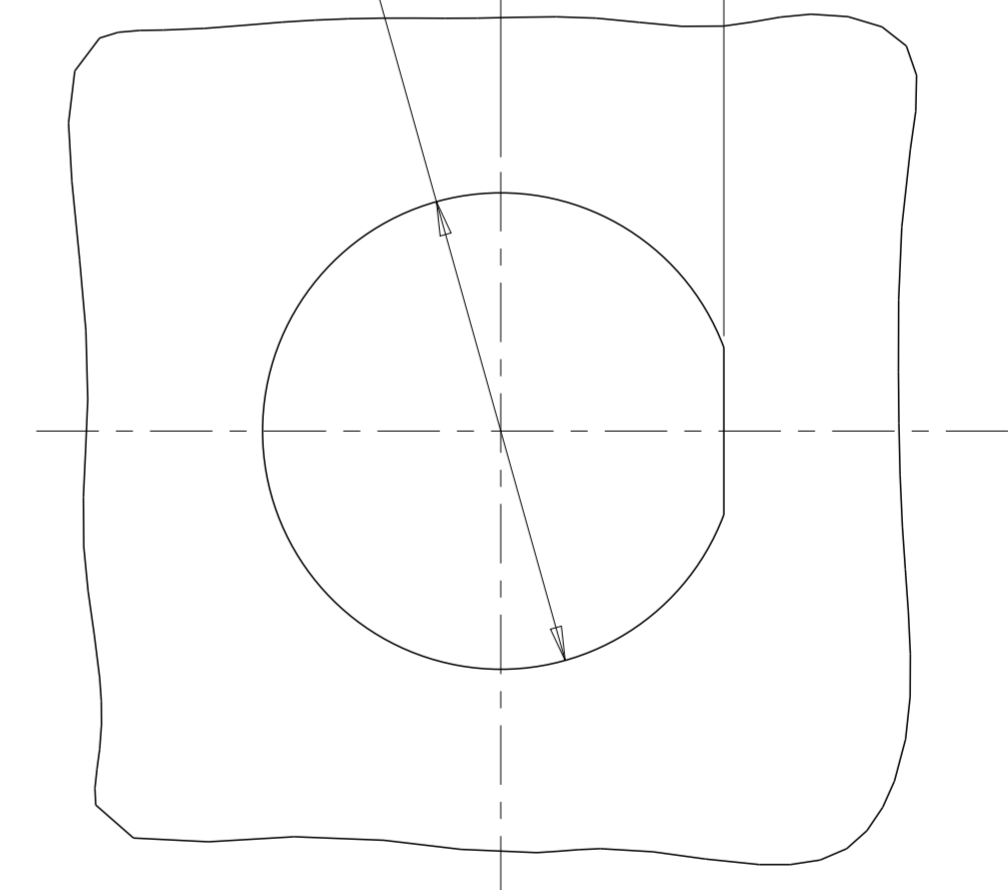
POLARIZATION TYPE "A"	POLARIZATION TYPE "B"	POLARIZATION TYPE "C"
		
PN: 2213262-1	PN: 2213262-2	PN: 2213262-3
POLARIZATION TYPE "D"	POLARIZATION TYPE "E"	
		
PN: 2213262-4	PN: 2213262-5	



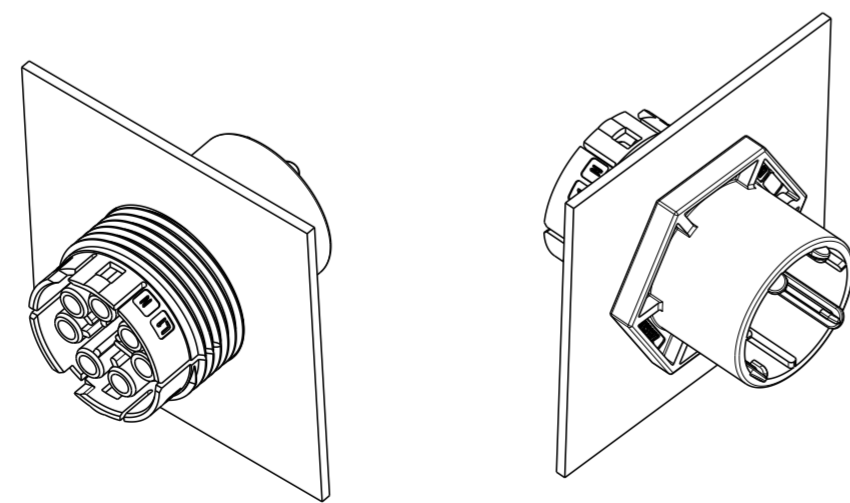
1.5 - 4.0
 RECOMMENDED
 PANEL
 THICKNESS




Ø25.20 11.80



RECOMMENDED
 PANEL CUTOUT
 SCALE 5:2



3D VIEWS
 FOR REFERENCE ONLY

THIS DRAWING IS A CONTROLLED DOCUMENT.		DWN J. SHAFFER 13NOV2013	 TE Connectivity	
DIMENSIONS: mm		CHK M. LUKSIC 13NOV2013		
TOLERANCES UNLESS OTHERWISE SPECIFIED:		APVD M. LUKSIC 13NOV2013	NAME PANEL MOUNT, SOCKET; SEALED NECTOR M; 6 POLE	
0 PLC ±	1 PLC ±0.2	PRODUCT SPEC 108-133014	SIZE A2	CAGE CODE -
2 PLC ±0.13	3 PLC ±	APPLICATION SPEC 114-32111	DRAWING NO G-2213262	RESTRICTED TO -
4 PLC ±	ANGLES ±	WEIGHT -	SCALE 2:1	SHEET 2 OF 2
MATERIAL NOTE 1	FINISH -	Customer Drawing	REV B	