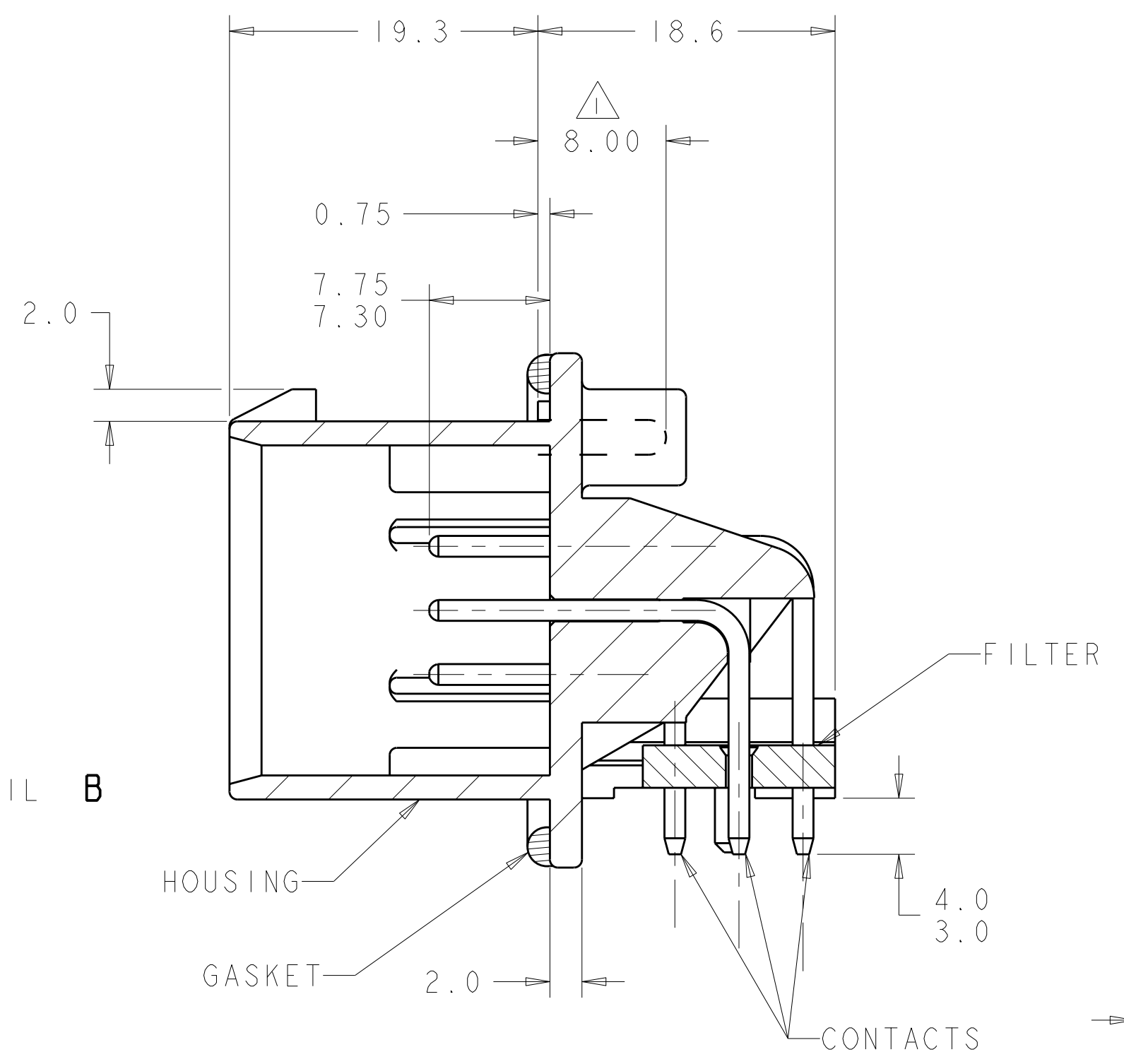
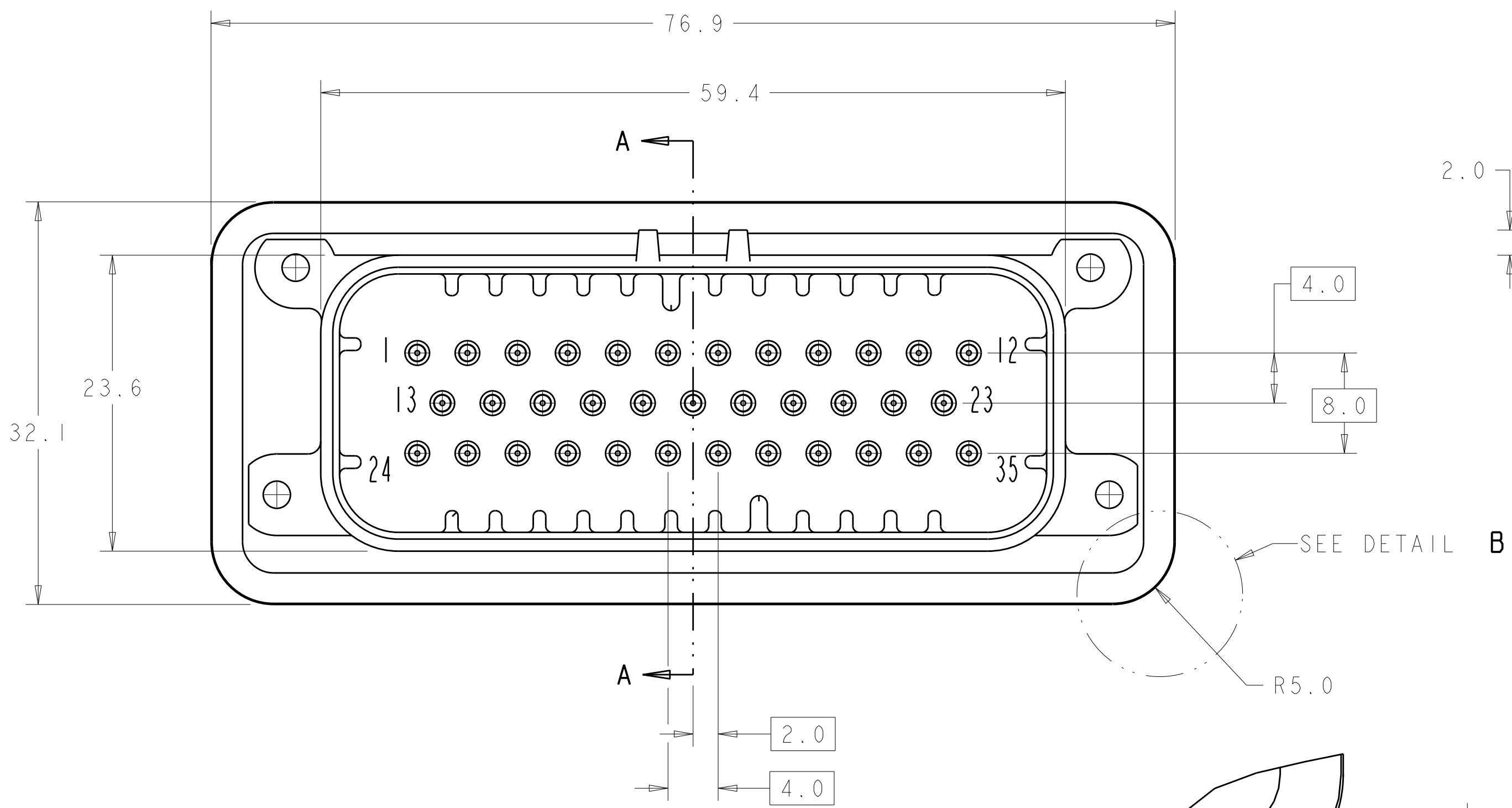
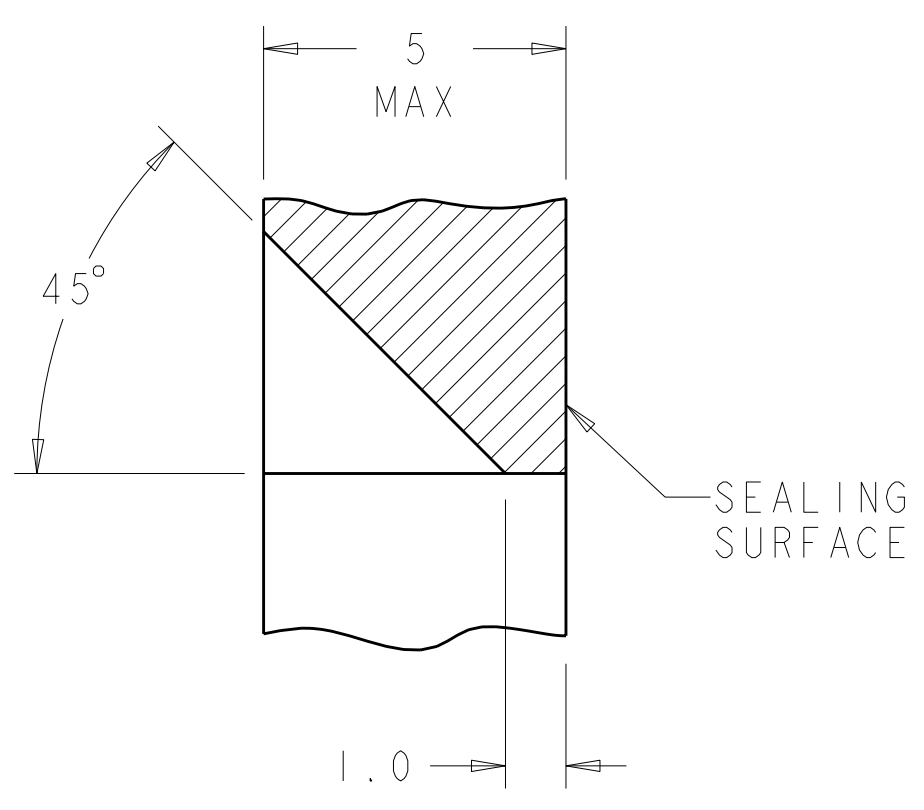
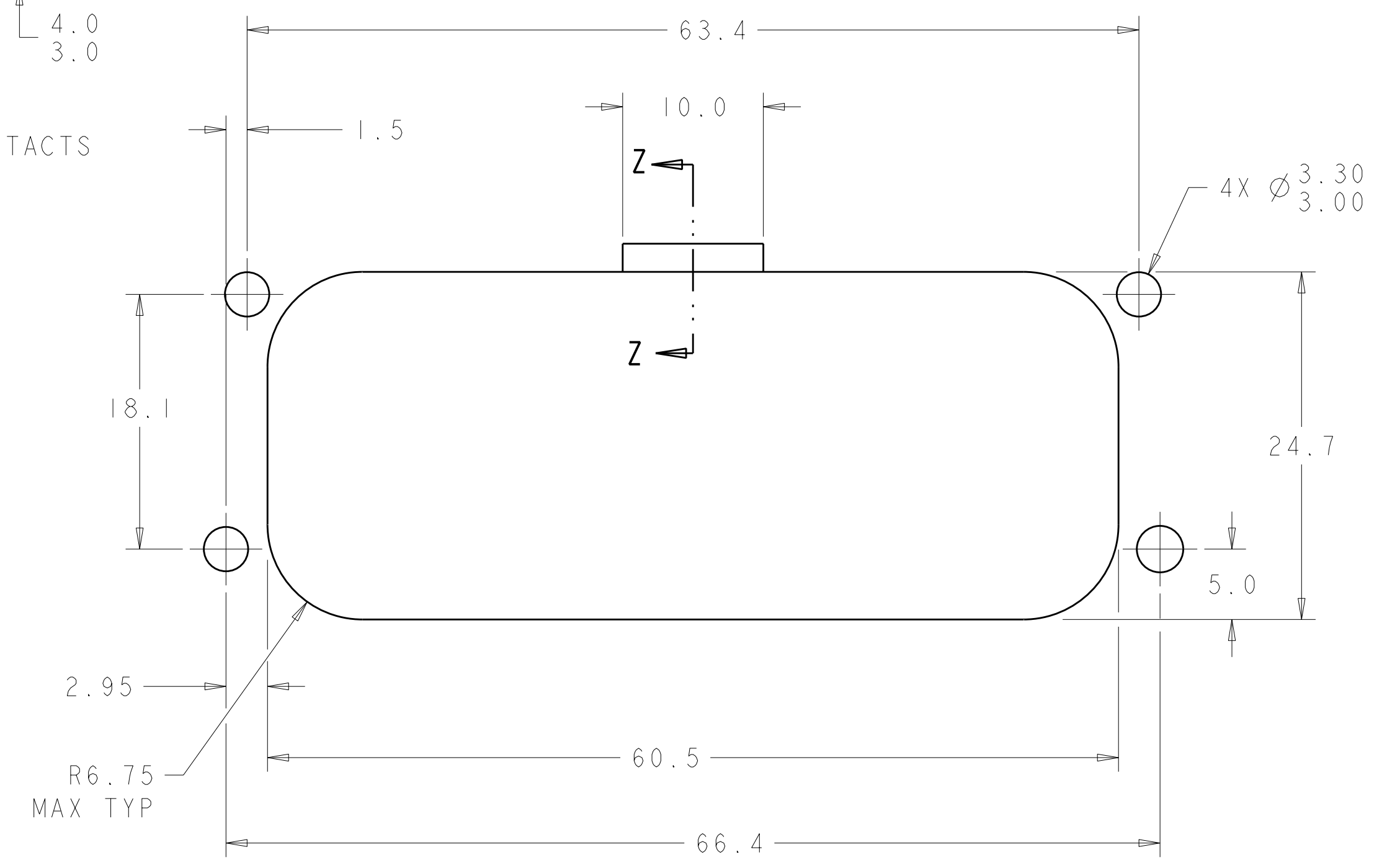
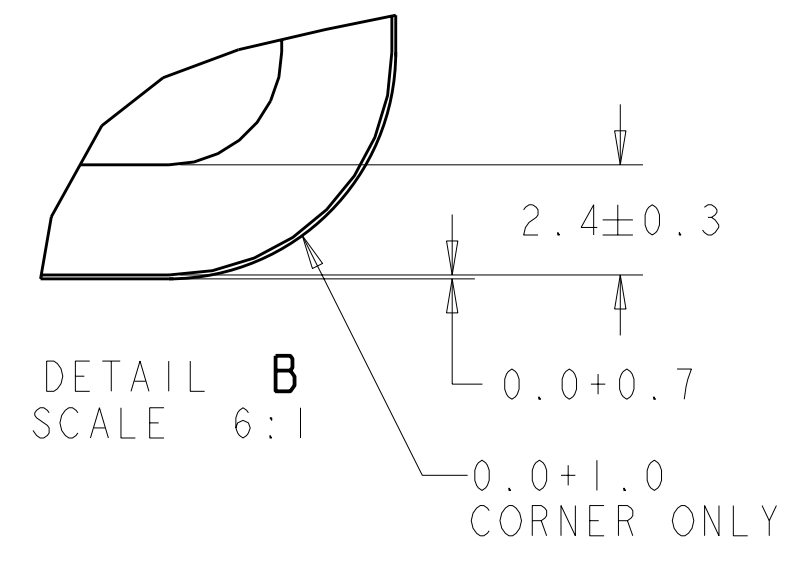


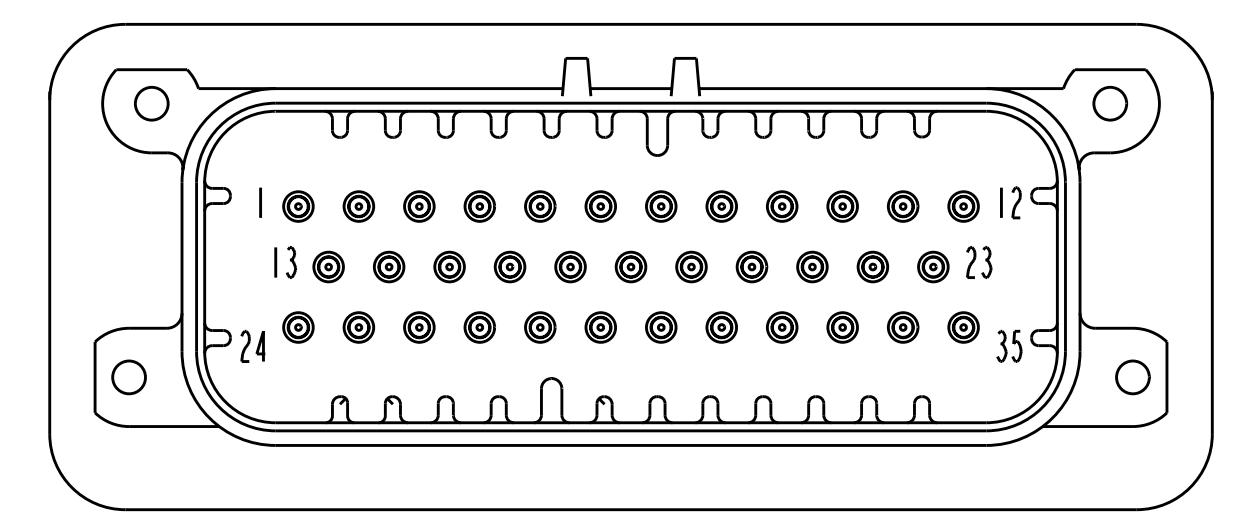
LOC	DIST	REV	DATE	BY	APPD
GE	00				
A1		REV PER EC OK40-0381-03	19JUN2003	RGV	MPT
A2		REVISED PER ECO-12-009257	29MAY2012	DD	DS



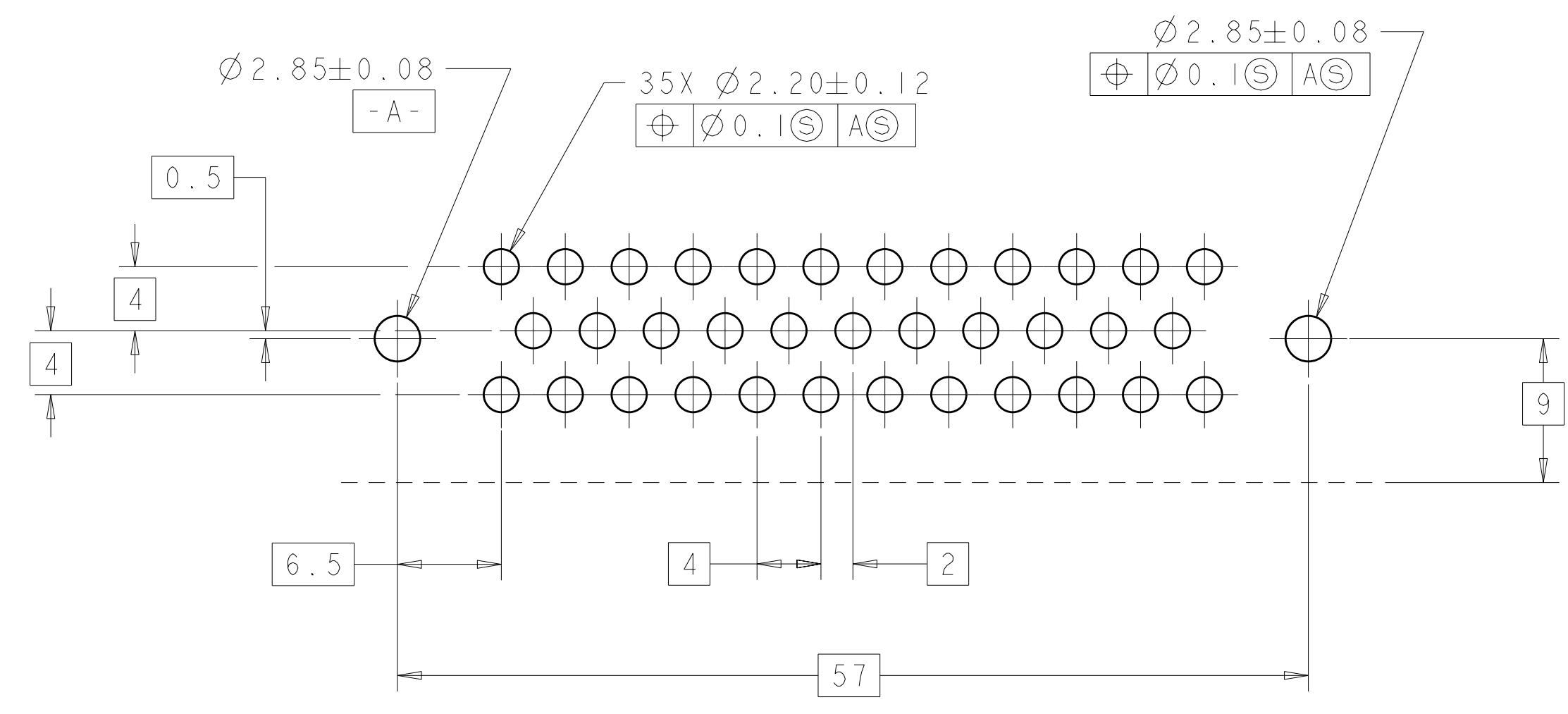
- △ ACCEPTS #4 SELF TAPPING THREAD FORMING SCREW OR METRIC EQUIVALENT TO BE DRIVEN AT 0.6±0.2 N-M.
- △ DATE CODE IN THIS LOCATION USING 5 DIGIT CODE FIRST 2 DIGITS = YEAR, SECOND 2 DIGITS = WEEK LAST DIGIT = DAY
- △ HOUSING COLORS ARE MECHANICALLY KEYS TO MATE ONLY WITH IDENTICALLY COLORED PLUG ASSEMBLIES.
- △ MATERIAL: HEADER HOUSING - GLASS FILLED PBT  
PINS - TIN OR GOLD PLATED BRASS  
GASKET - SILSCONE  
FILTER - PBT
- 5. HEADER MATES TO PLUG ASSEMBLY 776164 WHICH USES REELED TERMINAL 770520 OR LOOSE PIECE TERMINAL 770854



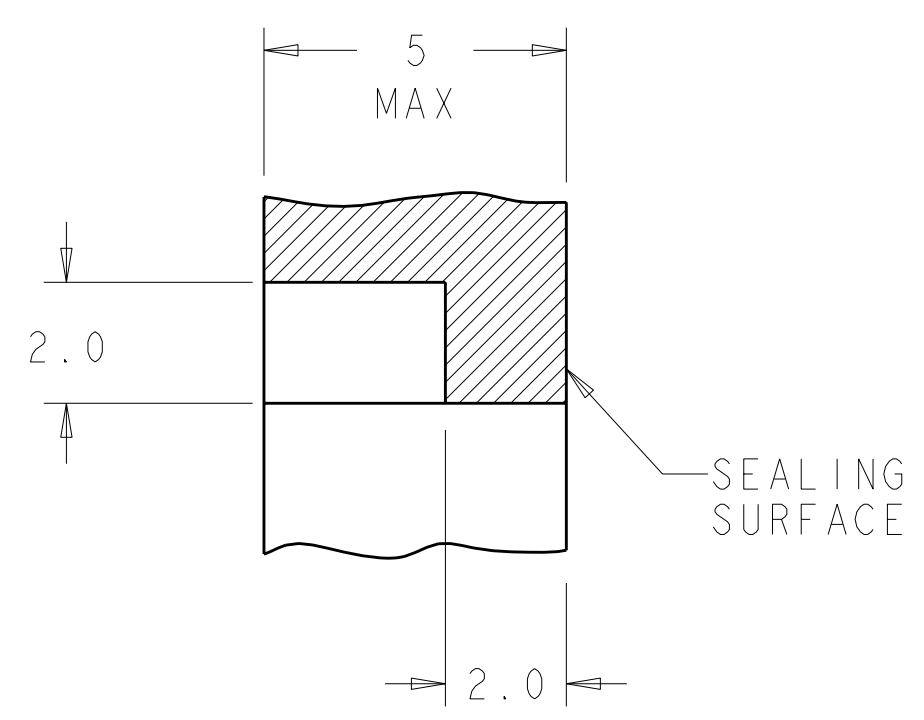
SECTION Z-Z  
OPTIONAL CONSTRUCTION IF THICKNESS IS GREATER THAN 2.0  
SCALE 8:1



1-776339-2  
KEY LOCATION AS SHOWN



RECOMMENDED P.C. BOARD LAYOUT  
FOR 1.57 THICK P.C. BOARD



SECTION Z-Z  
OPTIONAL CONSTRUCTION IF THICKNESS IS GREATER THAN 2.0  
SCALE 8:1

FINISH	HOUSING COLOR	PART NUMBER
DURAGOLD	NATURAL (WHITE)	1-776339-2
DURAGOLD	BLACK	1-776339-1

1-776339-1 AS SHOWN

THIS DRAWING IS A CONTROLLED DOCUMENT.		OWN: R. VESTAL 31DEC2002	NAME: HEADER ASSEMBLY, 35 POSITION, RIGHT ANGLE, HIGH TEMPERATURE, AMPSEAL	
DIMENSIONS: mm		CHK: D. CROWE 31DEC2002	SIZE: CAGE CODE DRAWING NO: A100779C-776339	
TOLERANCES UNLESS OTHERWISE SPECIFIED:		APVD: D. CROWE 31DEC2002	RESTRICTED TO: -	
Ø	PLC	±	PRODUCT SPEC	
	PLC	±0.3	108-1329	
	PLC	±0.13	APPLICATION SPEC	
	PLC	±	114-16016	
	ANGLES	±	WEIGHT	
	FINISH	±	CUSTOMER DRAWING	

SCALE 2:1 SHEET 1 OF 1 REV A2