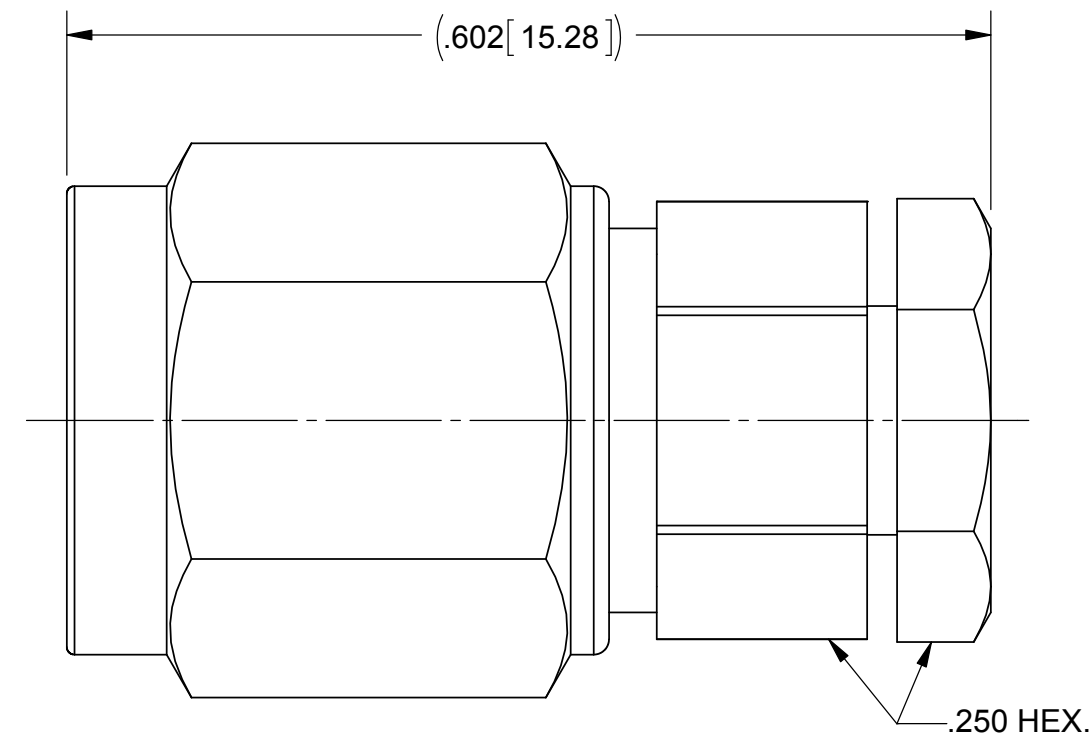
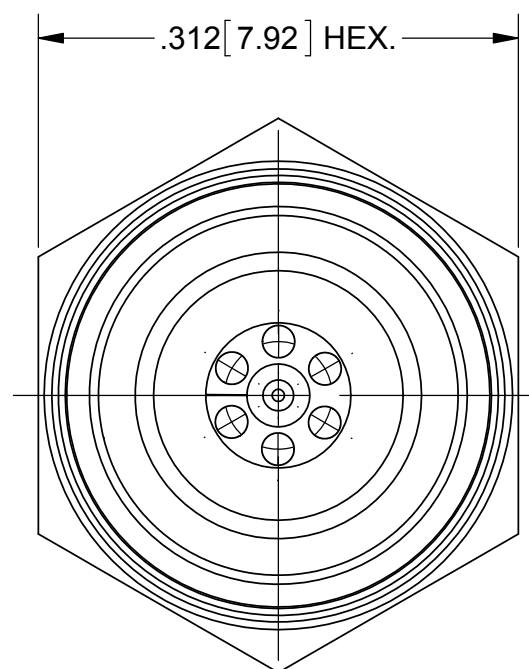
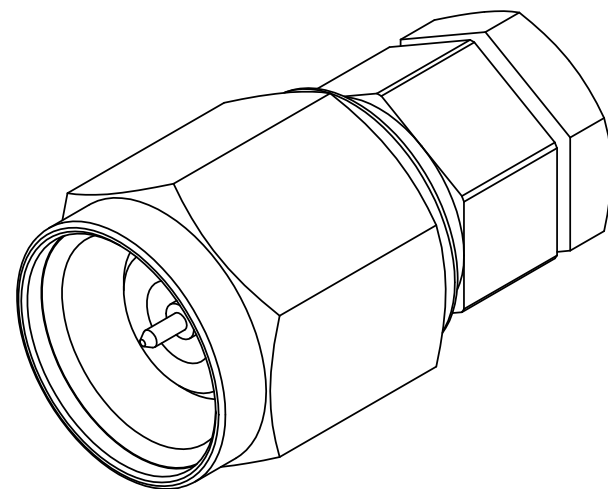


PRODUCT DATA DRAWING

REVISION HISTORY			
REV	DESCRIPTION	DATE	APPROVED
-	NRN 36611	02/12	FED
A	DCN 39255	07/12	STW
B	DCN 41510	07/15	STW



MATERIAL:

BODY, FERRULE,
CLAMP NUT &
COUPLING NUT: STAINLESS STEEL

LOCK RING &
CONTACT: BERYLLIUM COPPER

BEAD: ULTEM 1000

INSULATOR: PTFE

GASKET: SILICONE RUBBER

FINISH:

BODY, CLAMP NUT &
COUPLING NUT: PASSIVATED

FERRULE &
CONTACT: GOLD OVER NICKEL

PERFORMANCE:

IMPEDANCE: 50 OHMS
FREQ. RANGE: DC TO 50.0 GHz.
VSWR: 1.35:1 DC TO 50.0 GHz.
INSERTION LOSS: .05 X SQRT (F (F IN GHz.))

MATERIAL: SEE NOTES	DIMENSIONS ARE IN INCHES TOLERANCES: FRACTIONAL: ±1/64 ANGULAR: X° ±1'0" X°X' ±15'	UNLESS OTHERWISE SPECIFIED 1) ALL DIMENSIONS ARE IN INCHES (MILLIMETERS) 2) ALL DIMENSIONS ARE AFTER PLATING. 3) BREAK CORNERS & EDGES .005 R. MAX. 4) CHAM. 1ST & LAST THREADS. 5) SURFACE ROUGHNESS 63-MIL-STD-10. 6) DIA.'S ON COMMON CENTERS TO BE CONCENTRIC WITHIN .005 T.I.R. 7) REMOVE ALL BURRS	 2400 Centrepark West Drive, Suite 100 West Palm Beach, FL 33409 TITLE: 2.4mm STRAIGHT PLUG FOR Ø.085 CABLE
FINISH: SEE NOTES	DECIMAL: X ±.030 .XX ±.010 .XXX ±.005	INTERPRET DIMENSIONS AND TOLERANCES PER ASME Y14.5M - 1994	
SURFACE AREA: N/A	THIRD ANGLE PROJECTION	DRAWN: FED 02/15/12	SIZE: B CAGE CODE: 95077 DWG. NO.: SF1611-60003
PROPRIETARY THE INFORMATION CONTAINED IN THIS DRAWING IS THE SOLE PROPERTY OF SV MICROWAVE, INC. ANY REPRODUCTION IN PART OR AS A WHOLE WITHOUT THE WRITTEN PERMISSION OF SV MICROWAVE, INC IS PROHIBITED.		CHECKED: STW 07/28/15	SCALE: 8:1 SHEET 1 OF 1
		APPROVED: STW 07/28/15	