

4

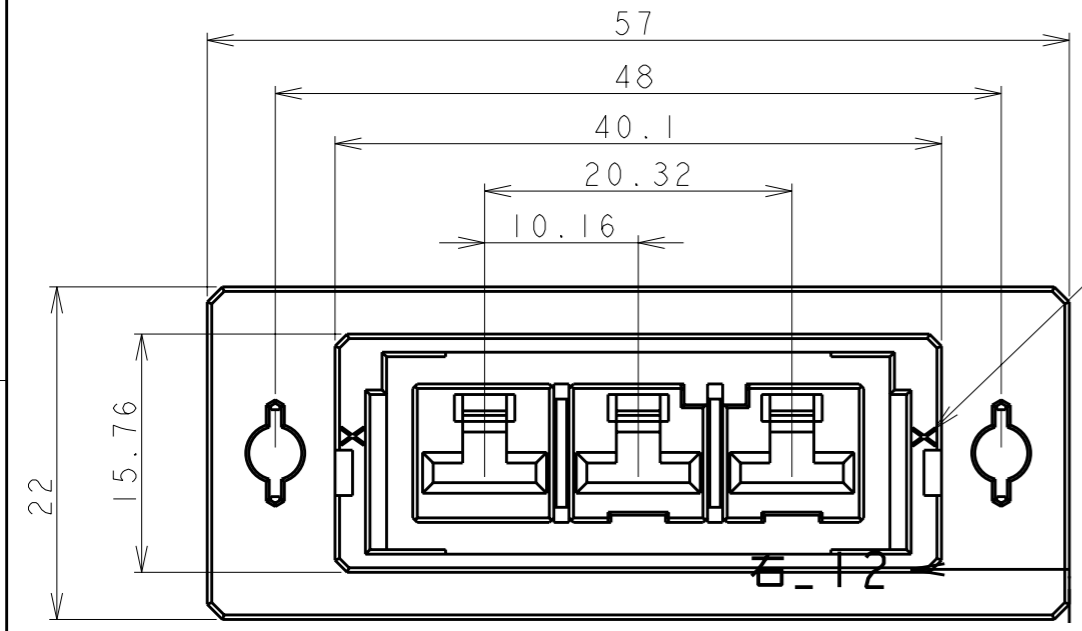
3

2

1

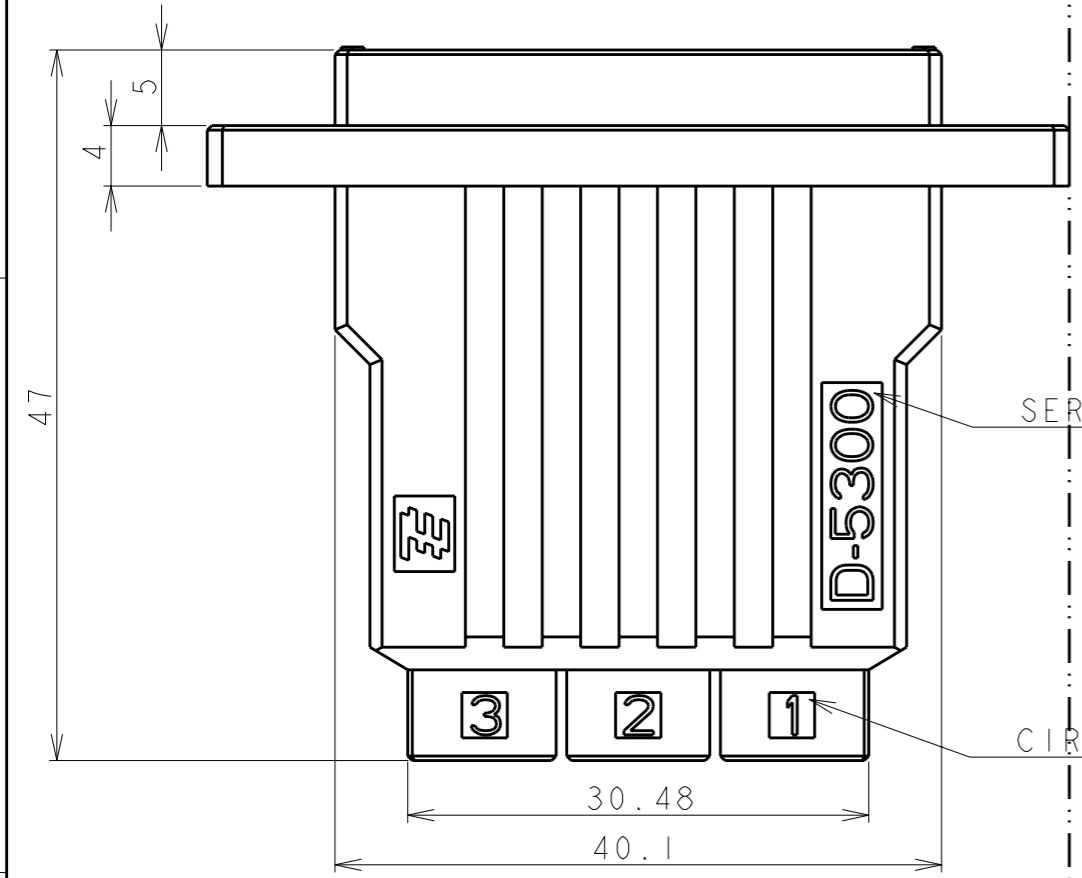
THIS DRAWING IS UNPUBLISHED. RELEASED FOR PUBLICATION 2007
 © COPYRIGHT 2007 BY TYCO ELECTRONICS CORPORATION. ALL INTERNATIONAL RIGHTS RESERVED.

| LOC | DIST | REVISIONS | | | | | |
|-----|------|-----------|-----|---------------------------|-----------|-----|------|
| | | P | LTR | DESCRIPTION | DATE | DWN | APVD |
| J | | | D | REVISED PER ECR-10-017569 | 25AUG2010 | HMR | T.M |



KEYING: X OR Y
 X: 1-1747821-3
 Y: 2-1747821-3

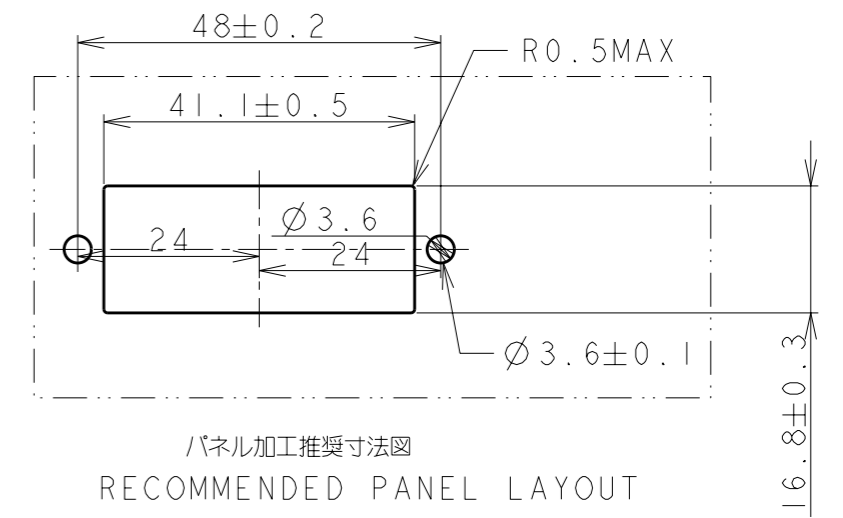
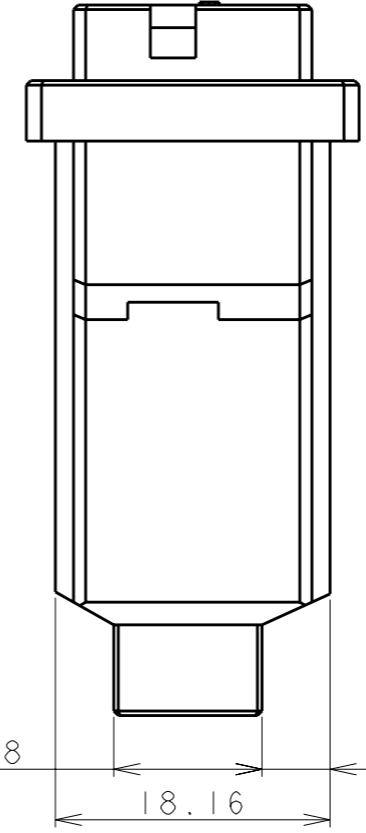
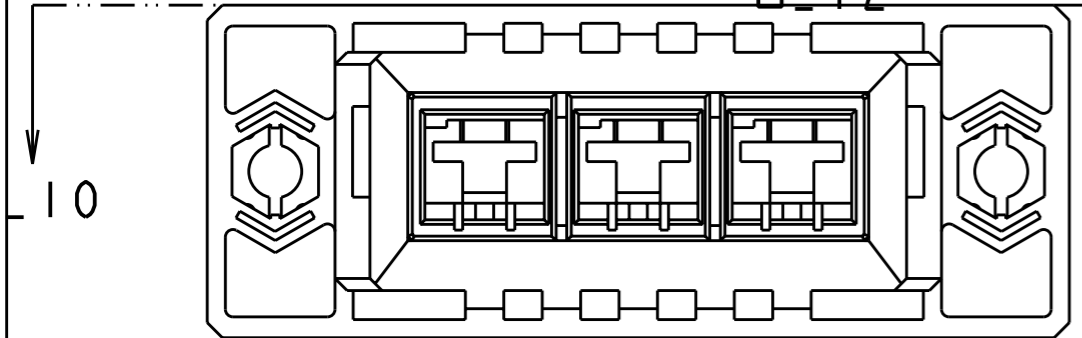
KEY LOCATION VIEW



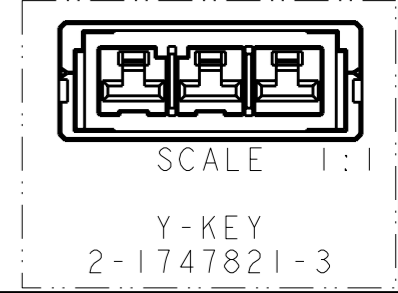
SERIES MARK

CIRCUIT NO

右 12 ←



- 1. 材料: ガラス入り熱可塑性ポリエステル樹脂(94V-0)
色: 黒
- 2. パネル取り付け推奨ネジM3
- 1. MATERIAL: GLASS FILED THERMO PLASTIC POLYESTER(94V-0)
COLOR: BLACK
- 2. PANEL ATTACHMENT RECOMMENDATION M3 SCREW



| | | | | |
|---|--|--|--|---------------|
| THIS DRAWING IS A CONTROLLED DOCUMENT FOR TYCO ELECTRONICS CORPORATION. IT IS SUBJECT TO CHANGE AND THE CONTROLLING ENGINEERING ORGANIZATION SHOULD BE CONTACTED FOR THE LATEST REVISION. | | DWN M. MAEBASHI 23MAR2007 | Tyco Electronics Corporation Kawasaki, Japan | |
| DIMENSIONS: 単位: 耗 mm | | CHK T. KUDO 23MAR2007 | NAME DYNAMIC D5300S 10.16mm PITCH REC HSG 3POS REVERSE MOUNT / PANEL MOUNT TYPE | |
| TOLERANCES UNLESS OTHERWISE SPECIFIED: 一般公差 ±0.3, ±3° 0-PLC ± 1-PLC ± 2-PLC ± 3-PLC ± 4-PLC ± ANGLES ± | | APVD D. MITSUGI 23MAR2007 | DRAWING NO C-1747821 | |
| MATERIAL 材料 | | PRODUCT SPEC 108-5453 | SIZE A300779 | RESTRICTED TO |
| FINISH 仕上 | | APPLICATION SPEC 取付適用規格 114-5206 | CAGE CODE | REV D |
| CUSTOMER DRAWING | | WEIGHT | SCALE 尺度 | SHEET OF |