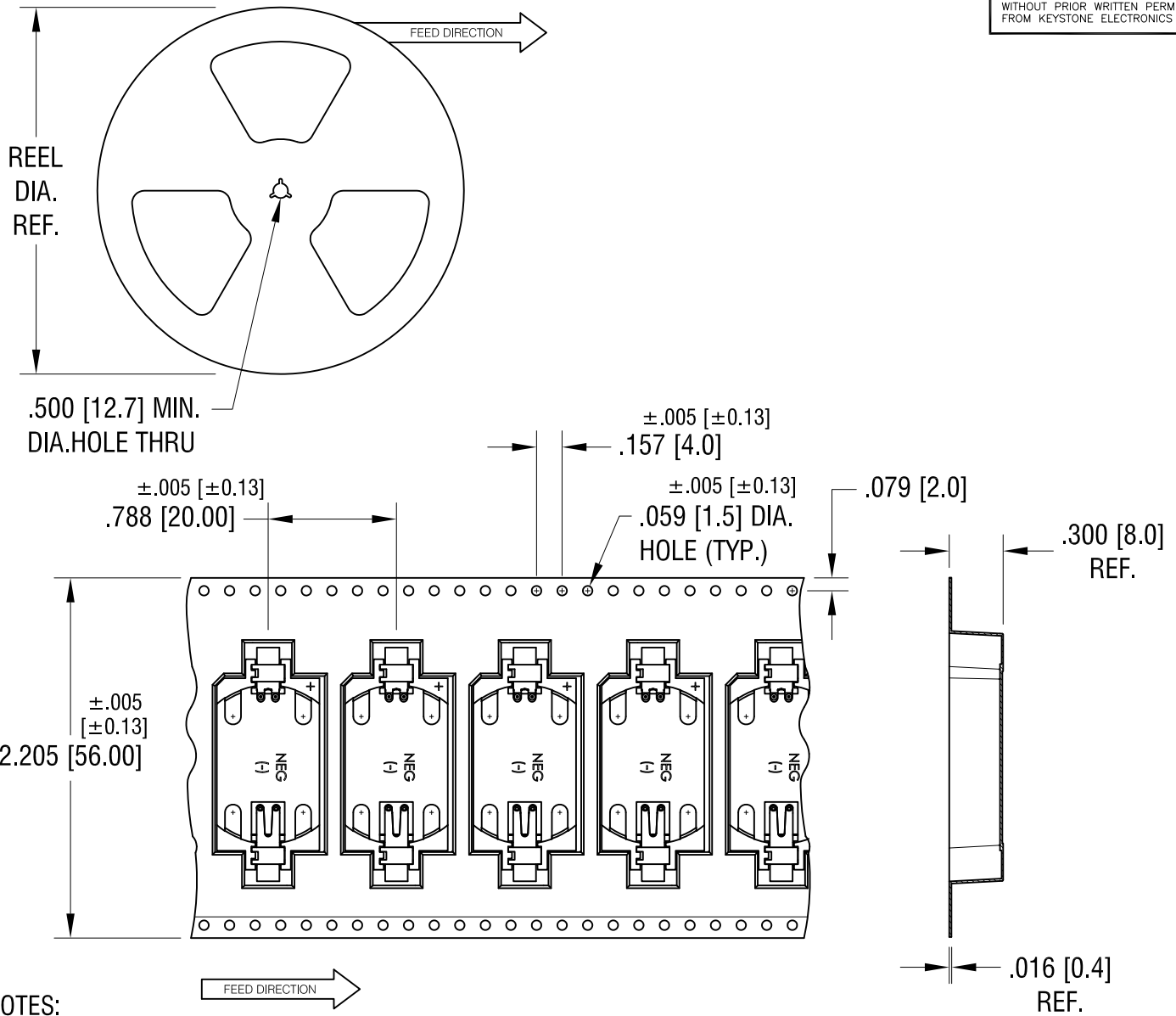


THIS DOCUMENT IS THE PROPERTY OF KEYSTONE ELECTRONICS CORP. AND SHALL NOT BE REPRODUCED, DISTRIBUTED OR USED AS A BASIS FOR MANUFACTURE WITHOUT PRIOR WRITTEN PERMISSION FROM KEYSTONE ELECTRONICS CORP.



NOTES:

TAPE AND REEL SPECIFICATIONS:

1. TAPE:  
MAT'L - ALL CONDUCTIVE POLYSTYRENE CARRIER  
ANSI/EIA-481 STANDARD
2. REEL:  
13.0 [330.2] DIA. 400 PIECES OF  
PART NO. 1052 PER REEL.

| DATE    | DESCRIPTION  | REV. |
|---------|--|------|
| 2.09.15 | UPDATE POCKET CONFIGURATION CHANGE AS PER ECN 15-019 | C    |
| 5.12.14 | TAPE WAS HOLDING 300 PCS ECN 14-051, PITCH WAS 24mm  | B    |
| 4.02.13 | TAPE WAS HOLDING 250 PCS CHANGE AS PER ECN 13-034    | A    |

| KEYSTONE ELECTRONICS CORP.                                      |      |              |                 |
|---|------|--------------|-----------------|
| www.keyelco.com • ASTORIA, N.Y. 11105-2017 • Tel (718) 956-8900 |      |              |                 |
| PART NAME<br>2450 SMT BATTERY HOLDER ON TAPE AND REEL           |      |              |                 |
| MATERIAL<br>AS NOTED  |      |              |                 |
| FINISH<br>AS NOTED  |      | DRN BY<br>NT | DATE<br>3.11.11 |
|   |      | APP'D<br>LN  | SCALE<br>1X     |
| TOLERANCES INCH [MM]  | CODE | DWG NO.      |                 |
| DECIMAL ± .015 [± 0.38]   | C    | 1052TR       |                 |
| ANGULAR ± 1°<br>UNLESS OTHERWISE SPECIFIED                      |      |              |                 |