

4

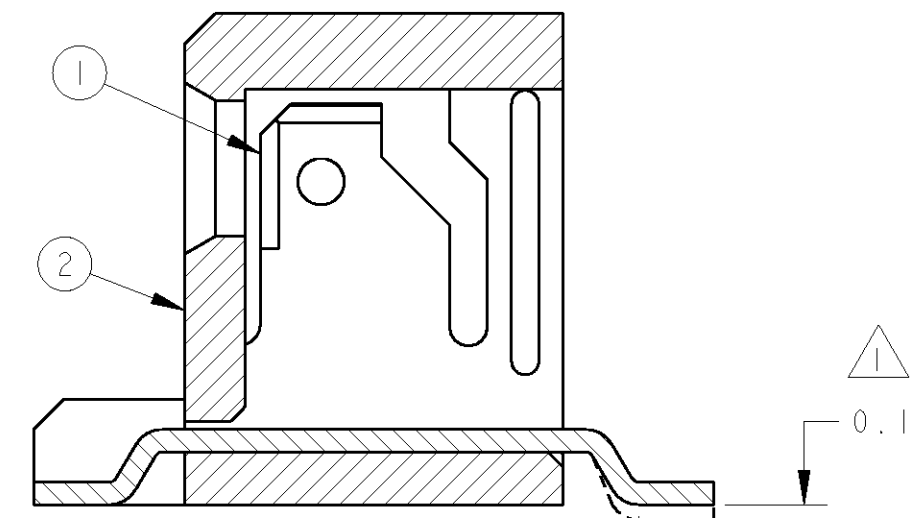
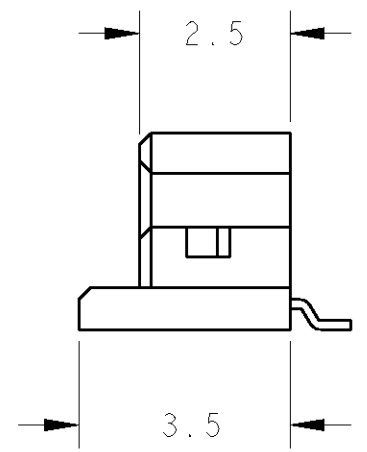
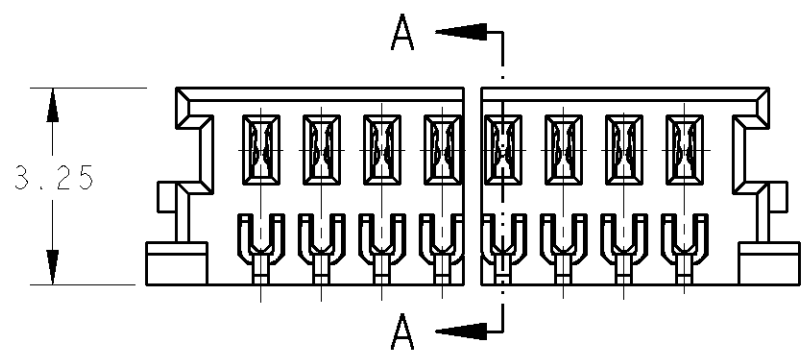
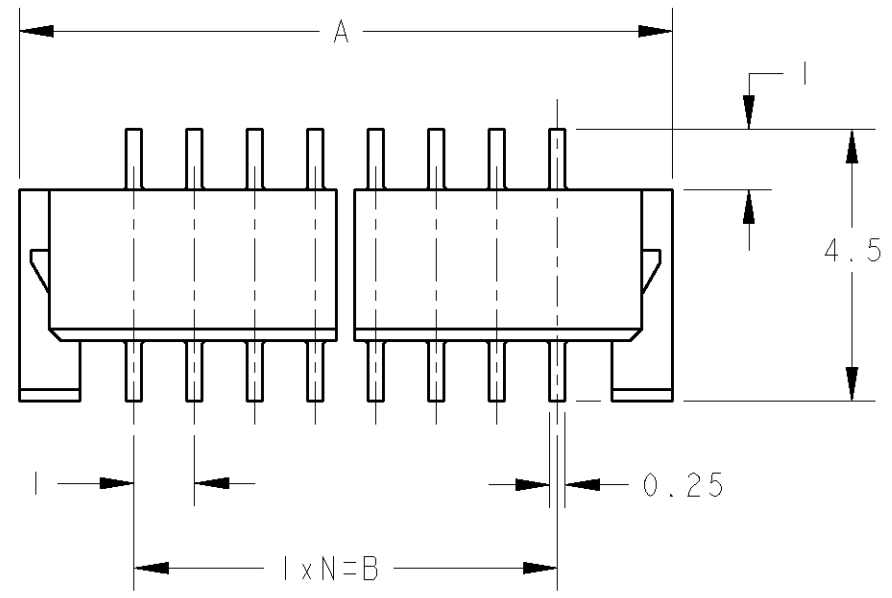
3

2

1

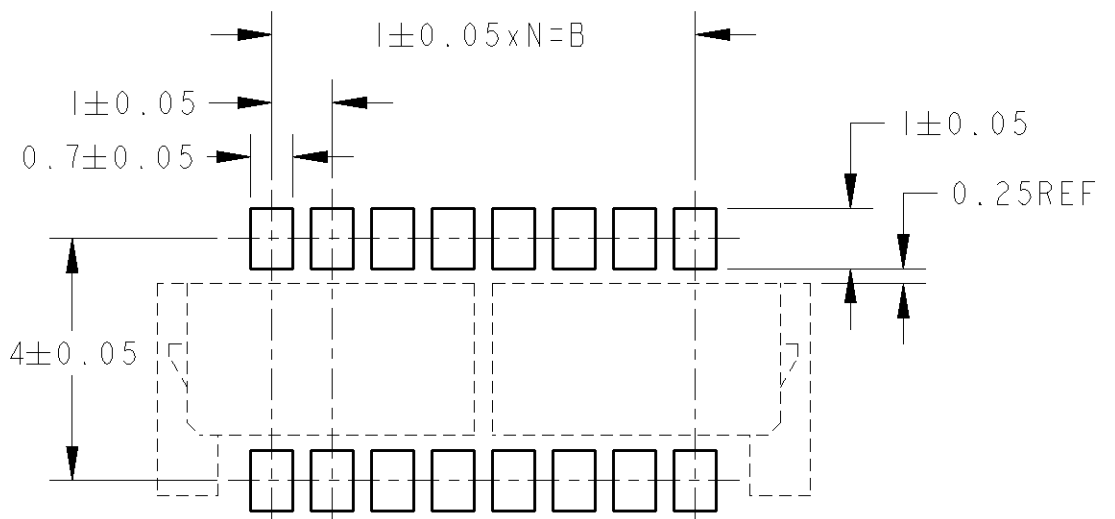
THIS DRAWING IS UNPUBLISHED. RELEASED FOR PUBLICATION 2004  
 © COPYRIGHT 2004 BY TYCO ELECTRONICS CORPORATION. ALL RIGHTS RESERVED.

LOC	DIST	REVISIONS						
		P	LTR	DESCRIPTION	ECN	DATE	DWN	APVD
J	-	0		RELEASED	FJD0-0280-04	27AUG2004	Y.K	D.M



断面 A-A  
スケール 20:1

注記  
△ タイムフラット部のあばれ許容値  
NOTE  
△ FLATNESS OF TINE SOLDER SURFACE



推奨基板寸法  
RECOMMENDED P.C. BOARD DIM.

5	5	8.8	6	1747468-1
N	B	A	Pos.	PART No.

6T NYLON 94V-0 (BLACK)	HDR HSG (6P)	2
Phoshor Bronze, FINISH UNDER Ni 1.27μm MIN, SURFACE Au 0.2μm MIN	REC CONTACT	1
MATERIAL AND FINISH	NAME	ITEM NO.
PARTS LIST		

THIS DRAWING IS A CONTROLLED DOCUMENT FOR TYCO ELECTRONICS CORPORATION. IT IS SUBJECT TO CHANGE AND THE CONTROLLING ENGINEERING ORGANIZATION SHOULD BE CONTACTED FOR THE LATEST REVISION.		DWN Y.KATO 26AUG2004	<b>tyco</b> Electronics	Tyco Electronics AMP K.K. Kawasaki, Japan	
DIMENSIONS: 単位: 概 mm		CHK D.MITSUGI 27AUG2004		NAME 名称	
TOLERANCES UNLESS OTHERWISE SPECIFIED: 一般公差 ±0.25		APVD D.MITSUGI 27AUG2004	HDR ASSY		
0-PLC ±		PRODUCT SPEC 108-5865-1	MINI VP 1.0mm W to B CONN.		
1-PLC ±0.5		APPLICATION SPEC	SIZE A3	CAGE CODE 00779	DRAWING NO 1747468
2-PLC ±0.13		取付適用規格	RESTRICTED TO		
3-PLC ±0.013		FINISH 仕上	SCALE 8:1		
4-PLC ±0.000J		WEIGHT -	SHEET 1 OF 1		
ANGLES ±3		CUSTOMER DRAWING	REV 0		