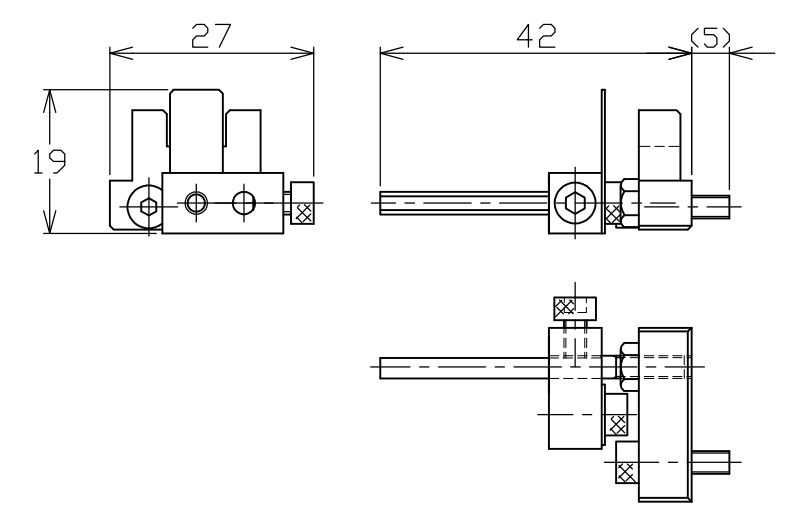
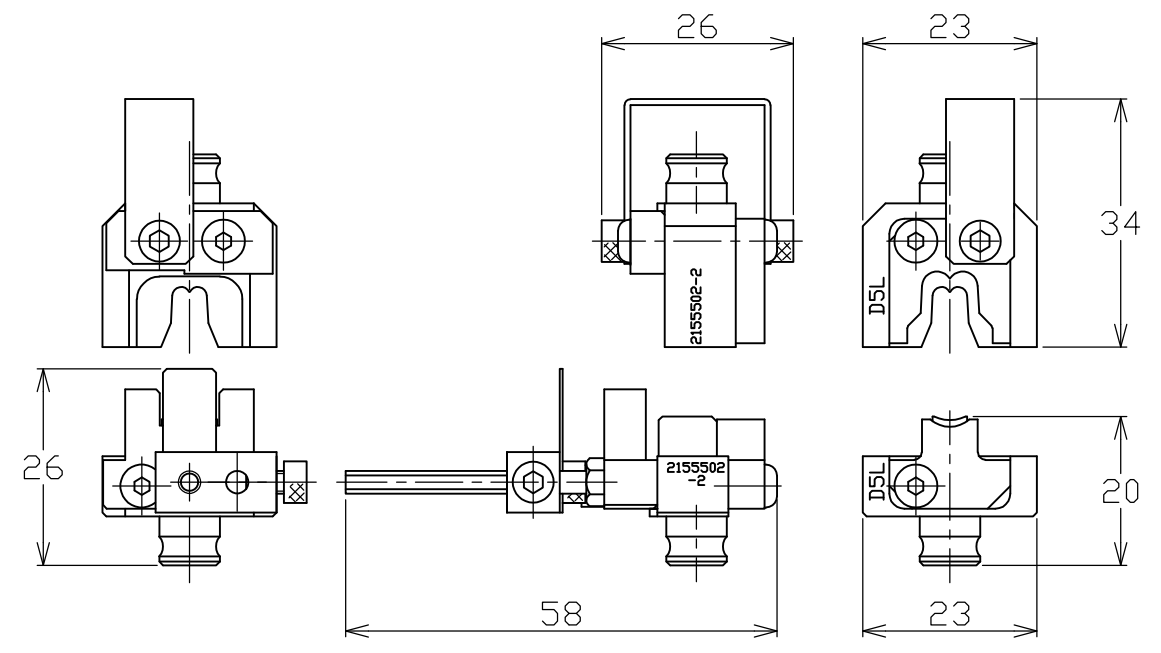
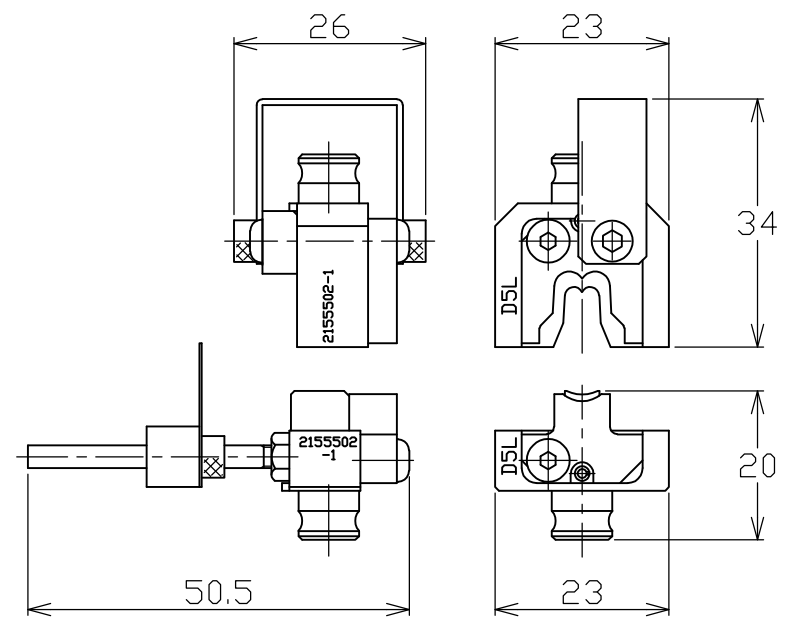


THIS DRAWING IS UNPUBLISHED. RELEASED FOR PUBLICATION  
 © COPYRIGHT - By Tyco Electronics Japan G.K. ALL RIGHTS RESERVED.

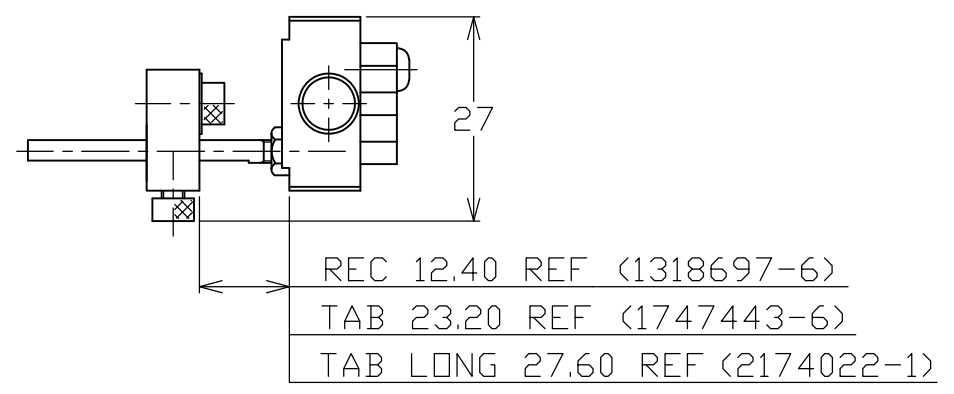
REVISIONS					
P	LTR	DESCRIPTION		DATE	APVD
	A2	ECR-16-005944 ADDED -2 & -3		25APR2016	S.N J.K

PART No.	REMARKS
2155502-1	D5000-L
2155502-2	D5000-L, ピン一体物、端子ホルダ付き
2155502-3	D5000-L, 端子ホルダのみ

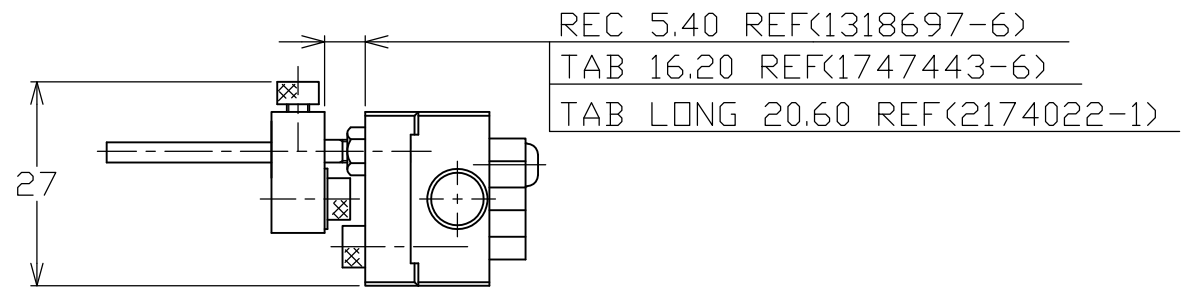
TERMINAL No.	WIRE SIZE (mm <sup>2</sup> )	AWG#	INS. RANGE (mm)	TERMINAL CH (mm)		APPL. SPEC.
				WIRE	INS.	
1318697-6	7.27-9.00	#8	ø4.9-ø7.8	3.09-3.29	6.5MAX	114-5206
1747443-6						
2174022-1						



-3 AS SHOWN



-1 AS SHOWN



-2 AS SHOWN

THIS DRAWING IS A CONTROLLED DOCUMENT.		DWN S.NAKA 23AUG2012	<b>STE</b> TE Connectivity		
DIMENSIONS: mm		CHK S.NAKA 23AUG2012			
TOLERANCES UNLESS OTHERWISE SPECIFIED:		APVD J.KOGA 23AUG2012	NAME DIES, D5-L, TE REC-Li60		
0 PLC ± 0.1		PRODUCT SPEC	SIZE CAGE CODE DRAWING NO RESTRICTED TO		
1 PLC ± 0.1		APPLICATION SPEC	A3 00779 C-2155502		
2 PLC ± 0.05		—	WEIGHT 0.000000		
3 PLC ± 0.03		—	CUSTOMER DRAWING SCALE 1:1 SHEET 1 OF 1 REV A2		
4 PLC ±		—			
ANGLES ± 0°30'		—			
FINISH		—			