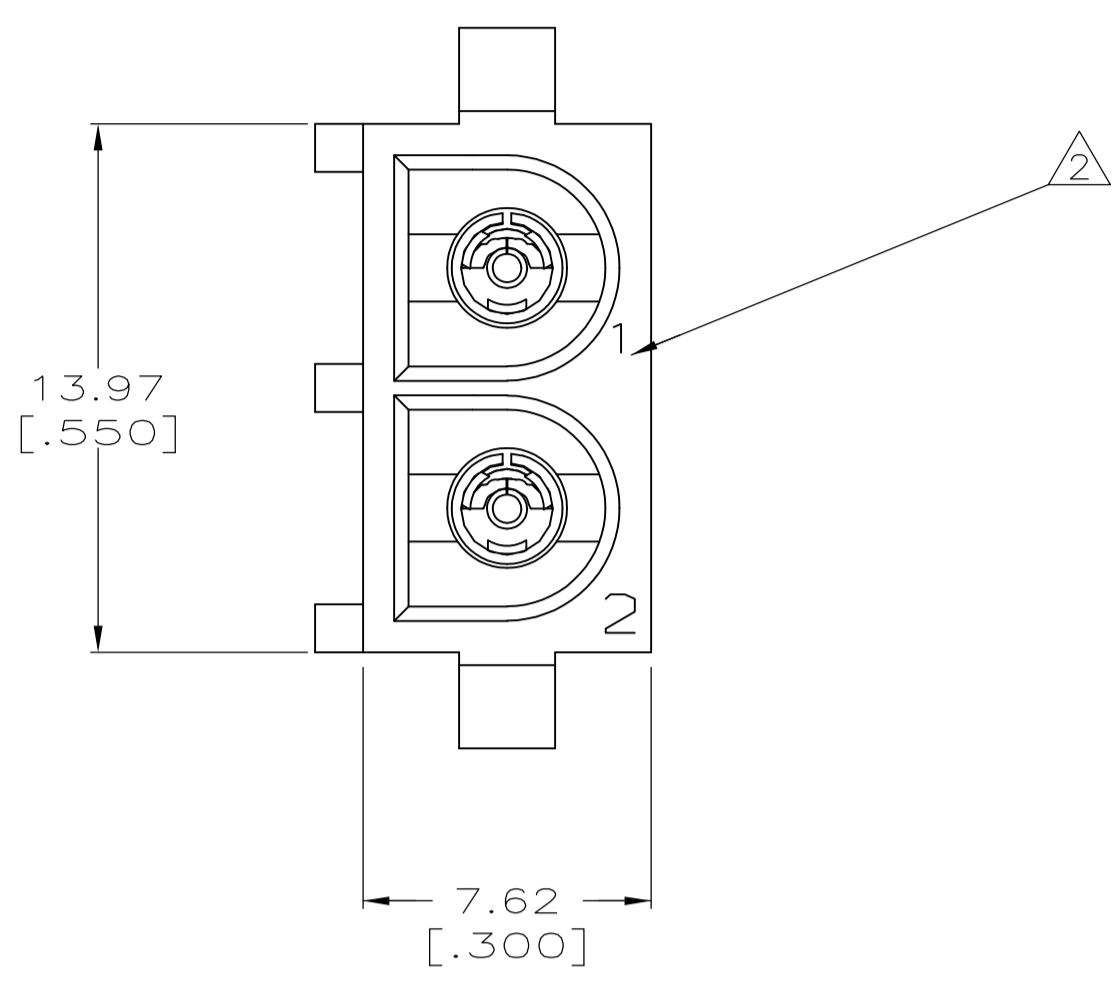
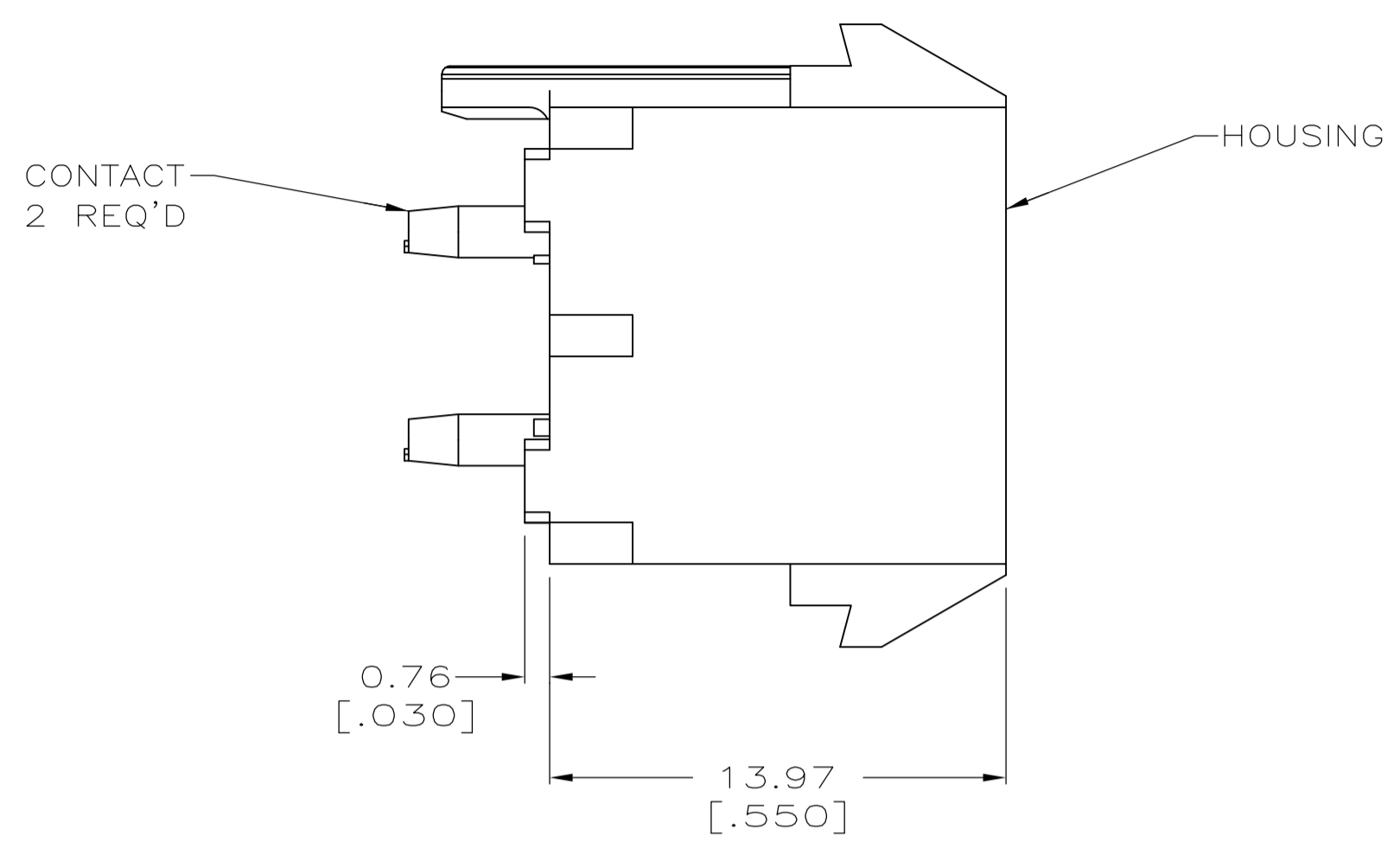
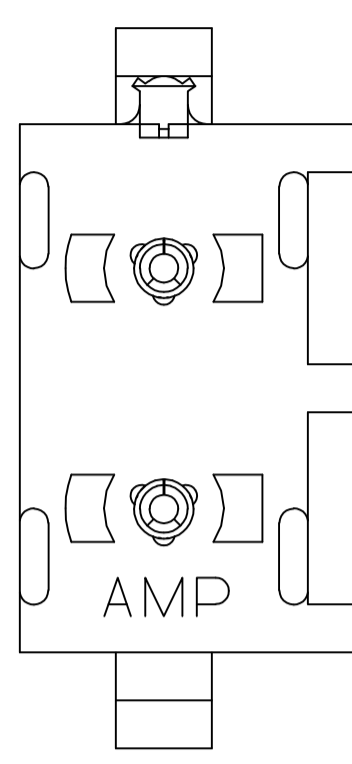
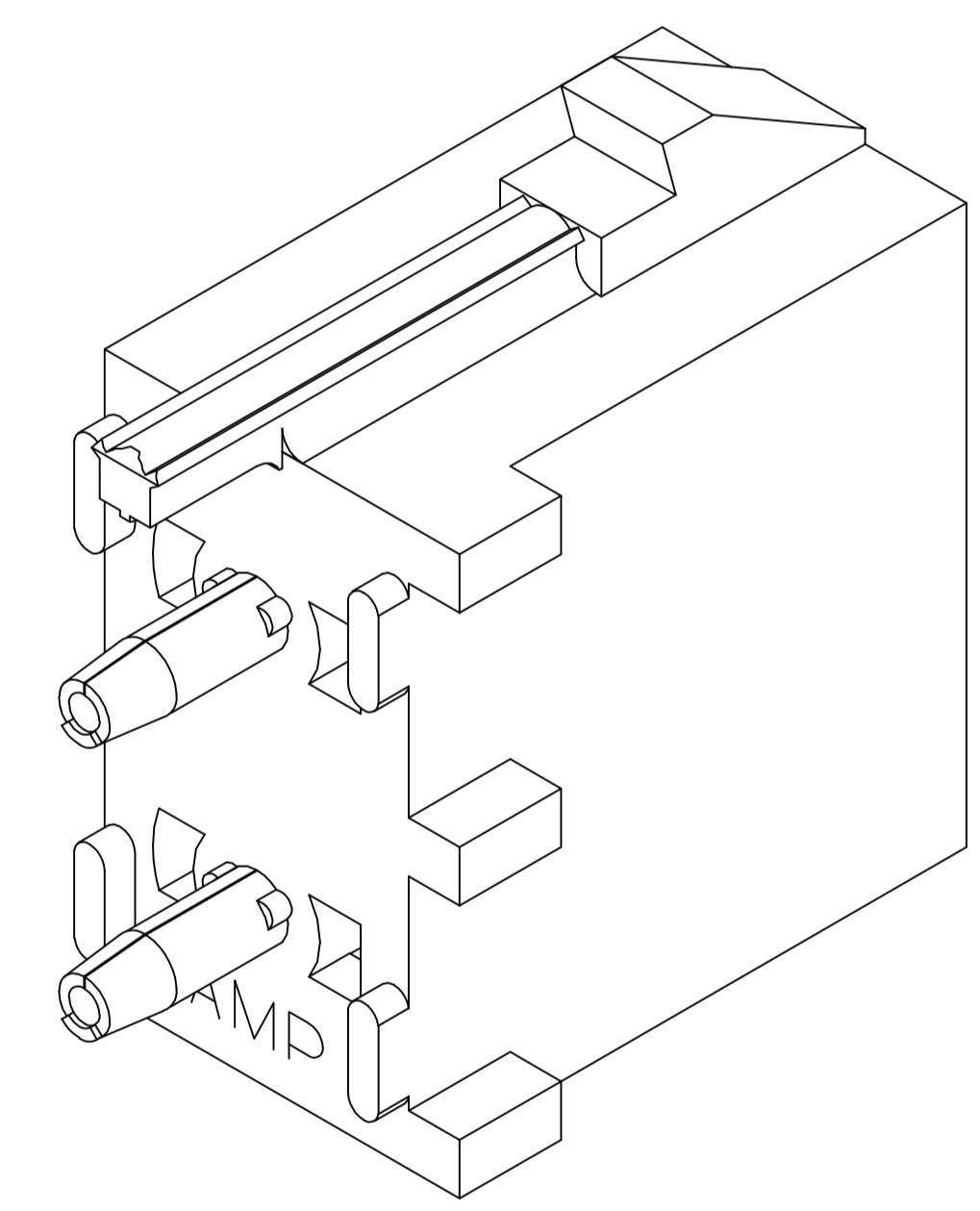
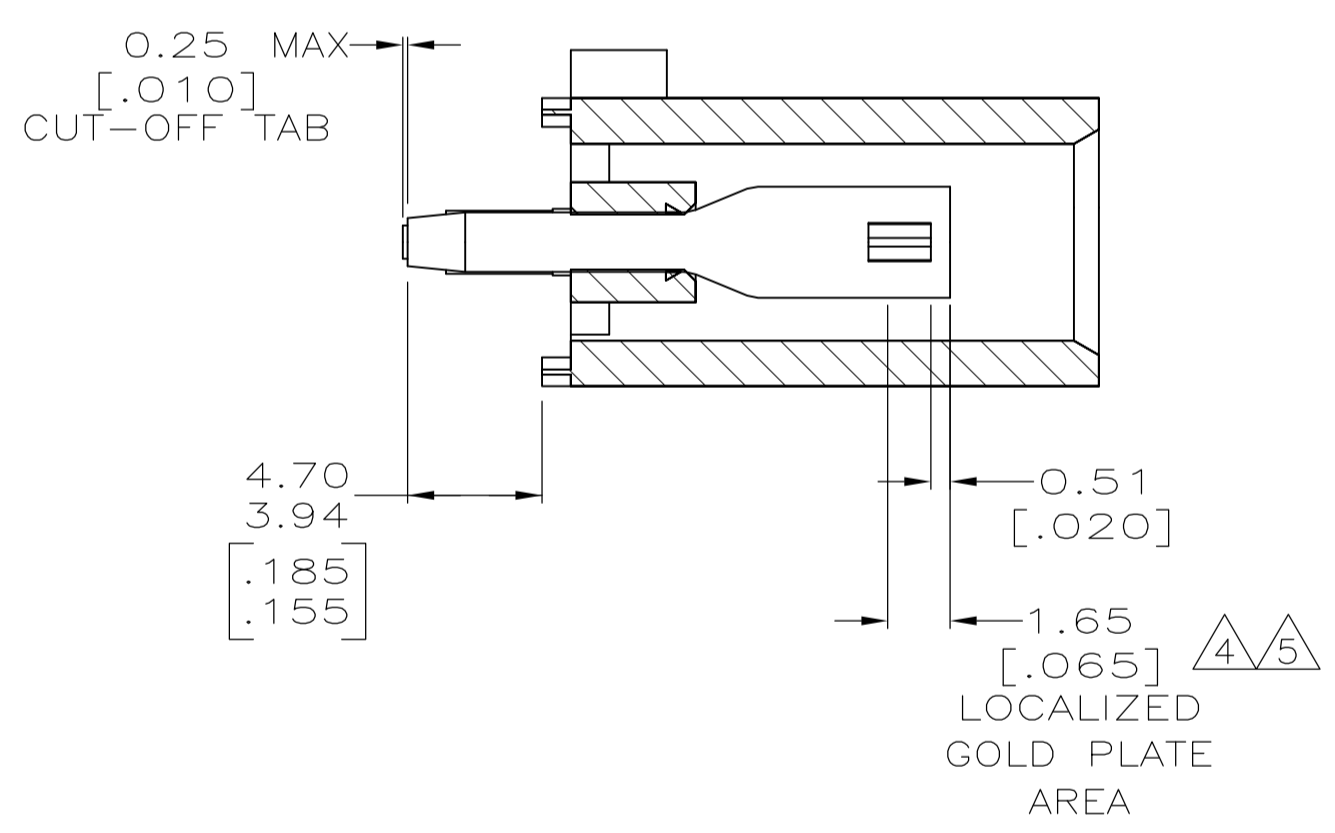


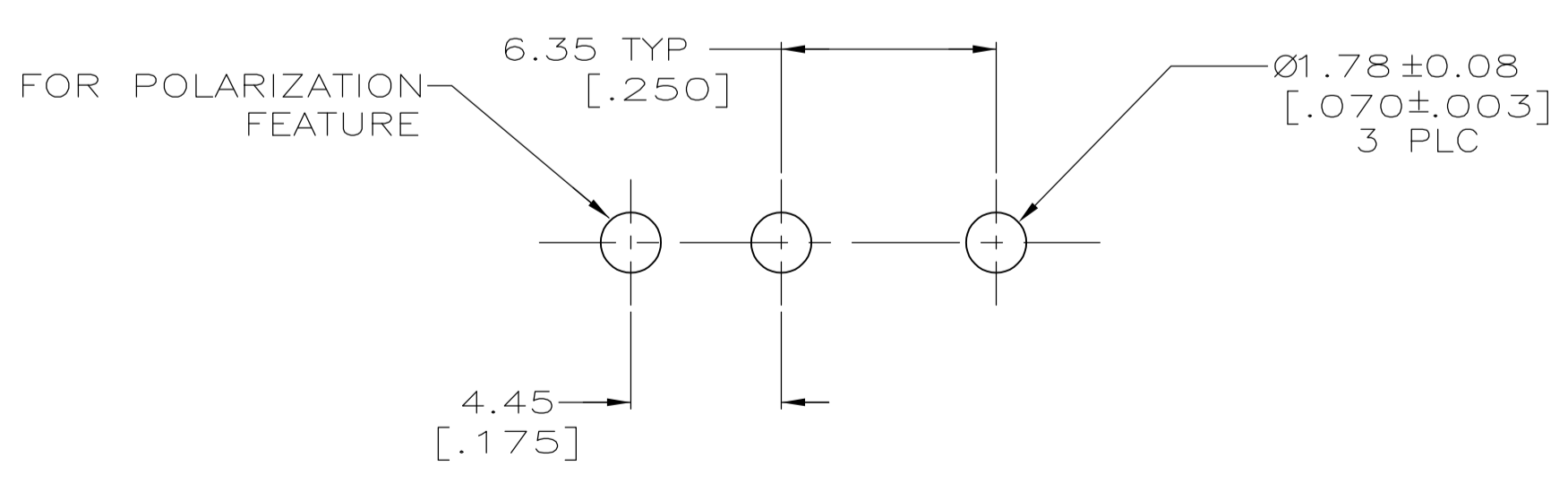
| LOC | | DIST | | REVISIONS | | | |
|-----|---------------------------|---------|------|-----------|-----|------|--|
| CM | 00 | REV | DATE | BY | CHK | APPV | |
| L1 | REVISED PER ECR-12-011660 | 01FEB13 | KH | TM | | | |



- 1 PARTS COMPLY TO AMP SOLDERABILITY SPECIFICATION 109-11-3.
- 2 CIRCUIT IDENTIFICATION CHARACTERS ARE ADJACENT TO THE INDICATED CAVITIES, BUT LOCATION AND ORIENTATION MAY DIFFER FROM PRINT.
- 3 DIMENSIONS IN BRACKETS ARE IN INCHES.
- 4 CONTACT IS STAMPED FROM PRE-PLATED STOCK WHICH IS PLATED OVERALL WITH 0.00127 - 0.00178 [.000050 - .000070] NICKEL, THEN STRIPED WITH 0.00076 [.000030] GOLD IN CONTACT AREA INDICATED AND MATTE TIN LEAD ON SOLDER TAIL END.
- 5 CONTACT IS STAMPED FROM PRE-PLATED STOCK WHICH IS PLATED OVERALL WITH 0.00127 - 0.00178 [.000050 - .000070] NICKEL, THEN STRIPED WITH 0.00076 [.000030] GOLD IN CONTACT AREA INDICATED AND MATTE TIN ON SOLDER TAIL END.
- 6 SUPERSEDED BY 643412-3



3-DIMENSIONAL MODEL NTS



RECOMMENDED MOUNTING HOLE PATTERN FOR 1.57 [.062] THICK P.C. BOARD

| | | |
|-----------------------------|-----------------------|-------------|
| PHOSPHOR BRONZE, GOLD | NYLON, UL94V-0, WHITE | 643412-3 |
| PHOSPHOR BRONZE, GOLD | NYLON, UL94V-0, WHITE | 643412-2 |
| PHOSPHOR BRONZE, PRE-TIN | NYLON, UL94V-0, WHITE | 643412-1 |
| CONTACT MATERIAL AND FINISH | HOUSING MATERIAL | PART NUMBER |

THIS DRAWING IS A CONTROLLED DOCUMENT.

| | | | | | |
|-------------------------|--|----------------------------|-------------------------|--------------------------|----------------|
| DIMENSIONS: mm [INCHES] | TOLERANCES UNLESS OTHERWISE SPECIFIED: | DIN L McEACHIN 07-JAN-2000 | CHK K COBLE 07-JUN-2000 | APVD K COBLE 07-JUN-2000 | NAME |
| 0 PLC ± - | 1 PLC ± - | 2 PLC ± 0.13 [.005] | 3 PLC ± - | 4 PLC ± - | ANGLES ± 9±30' |
| MATERIAL SEE TABLE | FINISH SEE TABLE | WEIGHT | SCALE 5:1 | SHEET 1 OF 1 | REV L1 |

STE TE Connectivity

SOCKET HEADER ASSEMBLY, POLARIZED, 2 CIRCUIT UNIVERSAL MATE-N-LOK™

SIZE A1 00779 C=643412

CUSTOMER DRAWING