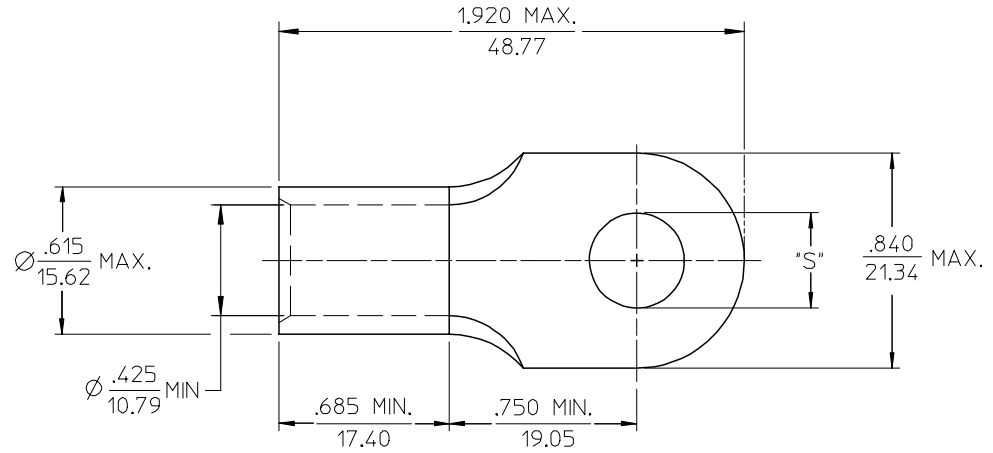


MATERIAL NO.	ENG. NO.	STUD SIZE	±.003 *S*	STOCK THICKNESS
191930330	H-381-14	1/4	.265	.075 (1.90)
191930333	H-381-56	5/16	.328	
191930331	H-381-38	3/8	.390	
191930556	H-381-12	1/2	.515	



SALES DRAWING

- NOTE(S):
1. MATERIAL: COPPER
  2. PLATING: ELECTROPLATE TIN.
  3. ALL DIMENSIONS IN INCHES/(MM)
  4. WIRE SIZE: 1/0 AWG  
50 MM<sup>2</sup>

REVISED/UPDATE TO MX STD EC NO: ETC2003-03/15 DRWN:DMYRICK 2003/08/20 CHKD:HEB 2003/08/21 APPR:RDEROSS 2003/08/21	QUALITY SYMBOLS ▽ = 0 ▽ = 0	GENERAL TOLERANCES (UNLESS SPECIFIED)		SCALE 2:1	DESIGN UNITS INCH	THIRD ANGLE PROJECTION	REVISE ON CAD ONLY	
			mm	INCH	DIMENSION STYLE IN/MM		TITLE	
		4 PLACES	± ---	± ---	DRAWN BY DLM	DATE 03/06/13	RING TONGUE TERMINAL VERSAKRIMP SERIES 1/0 AWG	
		3 PLACES	± ---	± .005	CHECKED BY HEB	DATE 03/06/13	MOLEX INCORPORATED	
		2 PLACES	± 0.13	± .01	APPROVED BY RWD	DATE 03/06/13	MATERIAL NO. (SEE CHART)	
		1 PLACE	± 0.25	± ---	DOCUMENT NO. SD-19193-020		SHEET NO. 1 OF 1	
		ANGULAR ±1/2°		THIS DRAWING CONTAINS INFORMATION THAT IS PROPRIETARY TO MOLEX INCORPORATED AND SHOULD NOT BE USED WITHOUT WRITTEN PERMISSION				
		DRAFT WHERE APPLICABLE MUST REMAIN WITHIN DIMENSIONS						