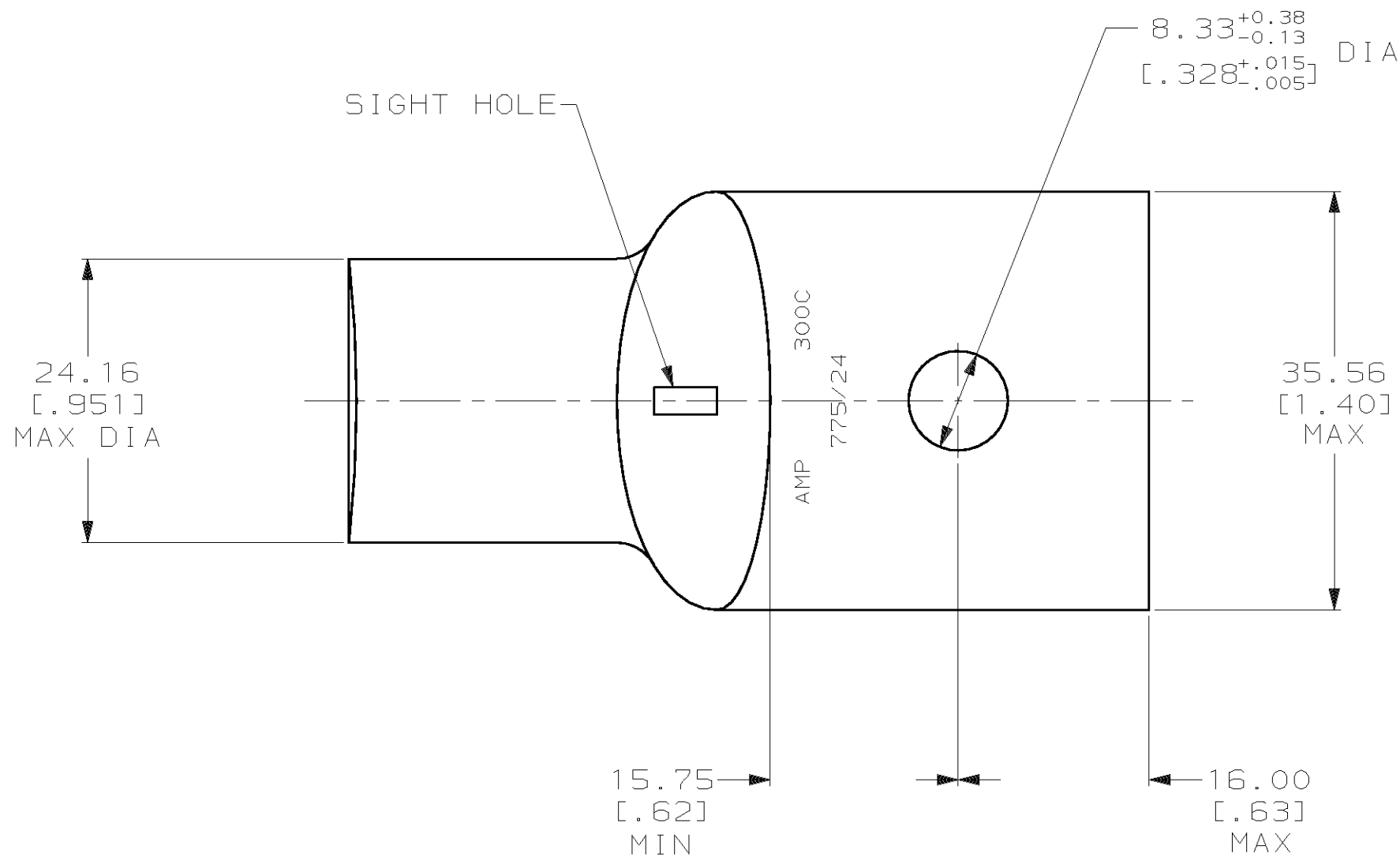
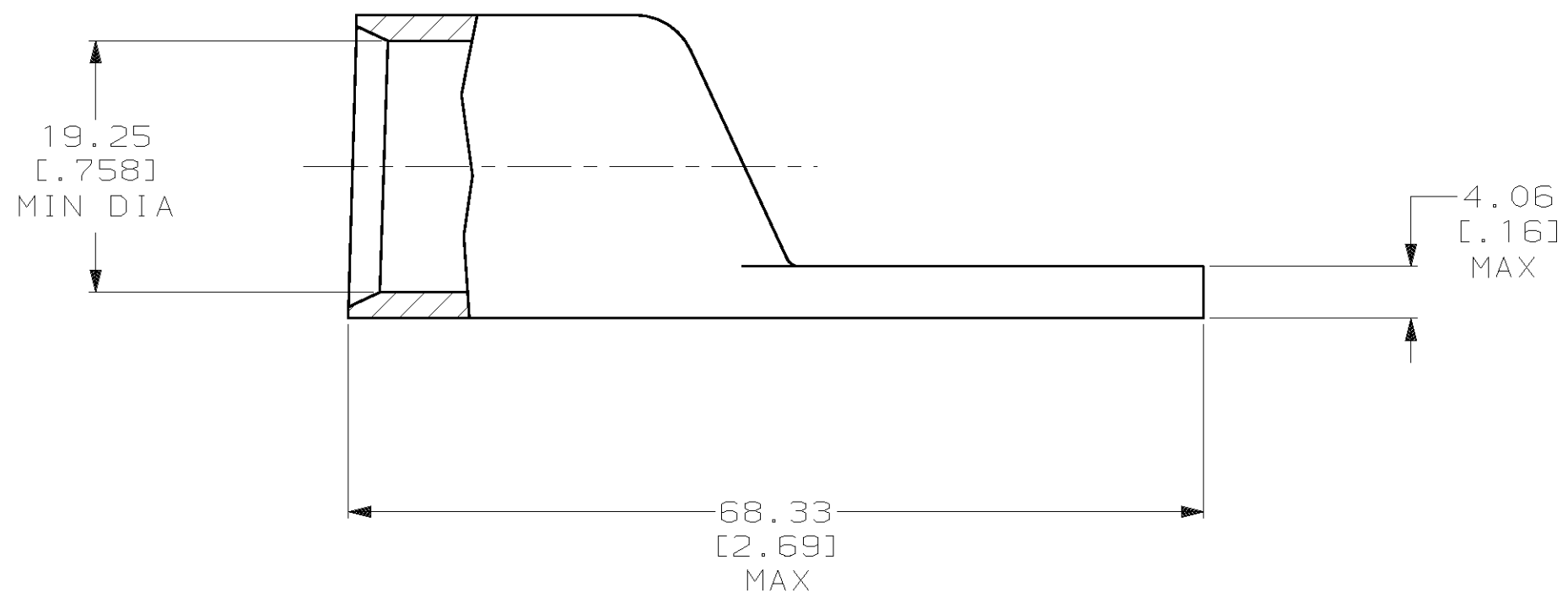


THIS DRAWING IS UNPUBLISHED. RELEASED FOR PUBLICATION, 19 .
 © COPYRIGHT 19 BY AMP INCORPORATED. ALL INTERNATIONAL RIGHTS RESERVED.

LOC		DIST		REVISIONS				DATE	APPD
ZONE	LTR	DESCRIPTION	DATE	APPD					
G	86	P	F	T	REV PER 0G3A-0561-01	08OCT02	JR/MS		



1 CIRCULAR MIL AREA RANGE: 275-325 MCM
 2 TIN PL 0.00381 [.000150] MIN THK PER MIL-T-10727



325802

B

A



DO NOT SCALE PRINT. UNLESS SPECIFIED DIMENSIONS IN mm [INCHES] TOLERANCES ON : 2 PLC DEC ± 0.51 [.020] 3 PLC DEC ± - ANGLES ± -		DR 03/09/90 DK SCHRUM		325802 PART NO	
MATERIAL ANNEALED COPPER ASTM B-75		CHK 23JAN95 MS FEHER		AMP AMP INCORPORATED Harrisburg, Pa. 17105	
FINISH △		APPD 23JAN95 WJ VOCKROTH		NAME TERMINAL, AMPPOWER™ WIRE SIZE: 300 MCM	
APPLICATION SPEC -		APPD 23JAN95 TL SHUTTER		DRAWING NO 325802	
WEIGHT .162 LB		PRODUCT SPEC 108-30200		SCALE 2:1	
		CAGE CODE 00779		SHEET 1 OF 1	