

THIS DRAWING IS UNPUBLISHED.

RELEASED FOR PUBLICATION

---

ALL RIGHTS RESERVED.

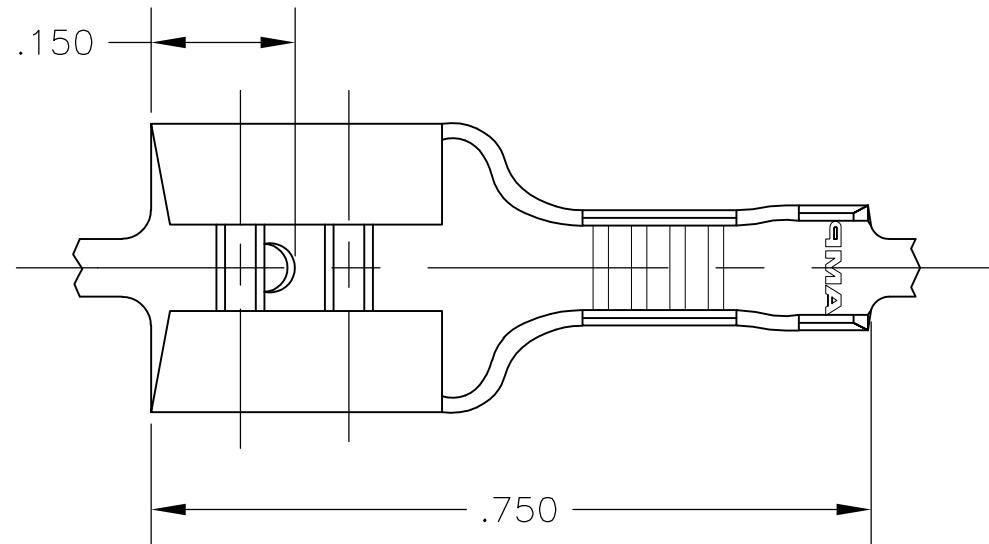
© COPYRIGHT - By -

LOC  
AF

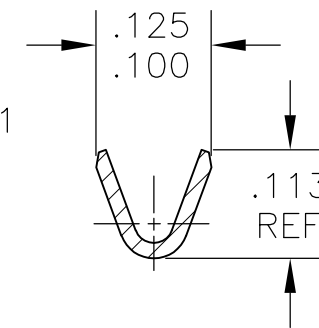
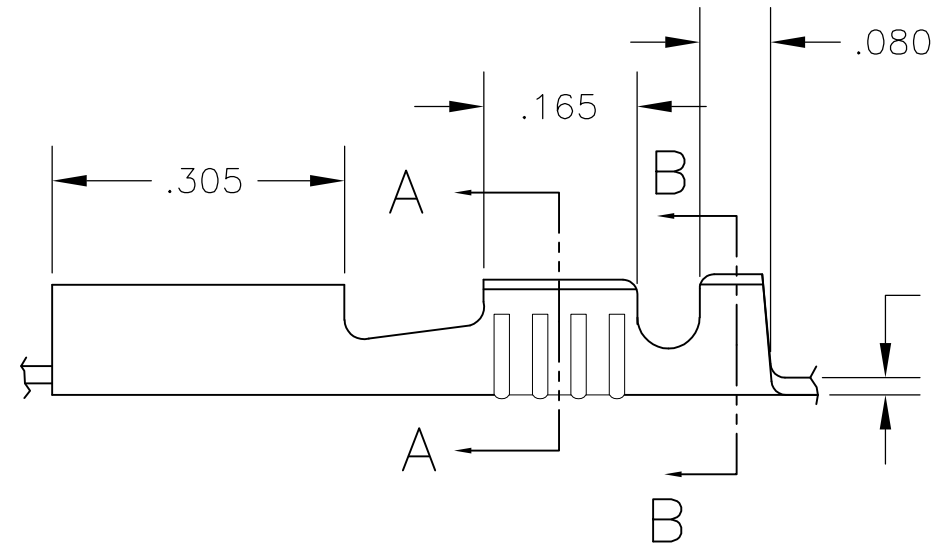
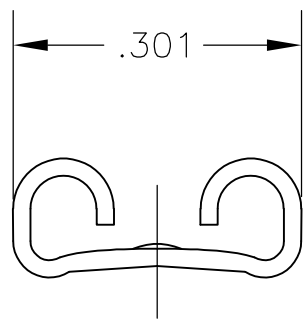
DIST  
50

REVISIONS

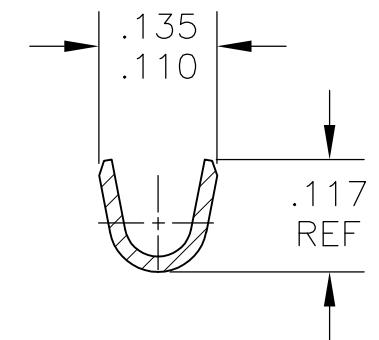
P	LTR	DESCRIPTION	DATE	DWN	APVD
	H	REVISED PER ECR-12-013445	09NOV12	KH	PD



- 1 CONTINUOUS STRIP ON REELS
- 2 WIRE SIZE IS 22-18 AWG
- 3 INSULATION RANGE IS .060-.100 DIA
- 4 FEED IS  $.840 \pm .005$
- 5 MATING TAB THK IS  $.032 \pm .001$


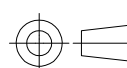


SECTION A-A



SECTION B-B

TIN	42640-2
-	42640-1
FINISH	PART NO

THIS DRAWING IS A CONTROLLED DOCUMENT.		DWN jr_ruth 13JAN2004	 <b>TE Connectivity</b>					
DIMENSIONS: INCHES		CHK P_DESANTIS 13JAN04				NAME		
TOLERANCES UNLESS OTHERWISE SPECIFIED:		APVD P_DESANTIS 13JAN04				RECEPTACLE, FASTON, .250 SERIES		
		PRODUCT SPEC				-		
MATERIAL BRASS		FINISH SEE TABLE	APPLICATION SPEC	SIZE	CAGE CODE	DRAWING NO	RESTRICTED TO	
			WEIGHT	A3	00779	C-42640	-	
			CUSTOMER DRAWING		SCALE	SHEET	REV	
					5:1	1 OF 1	H	