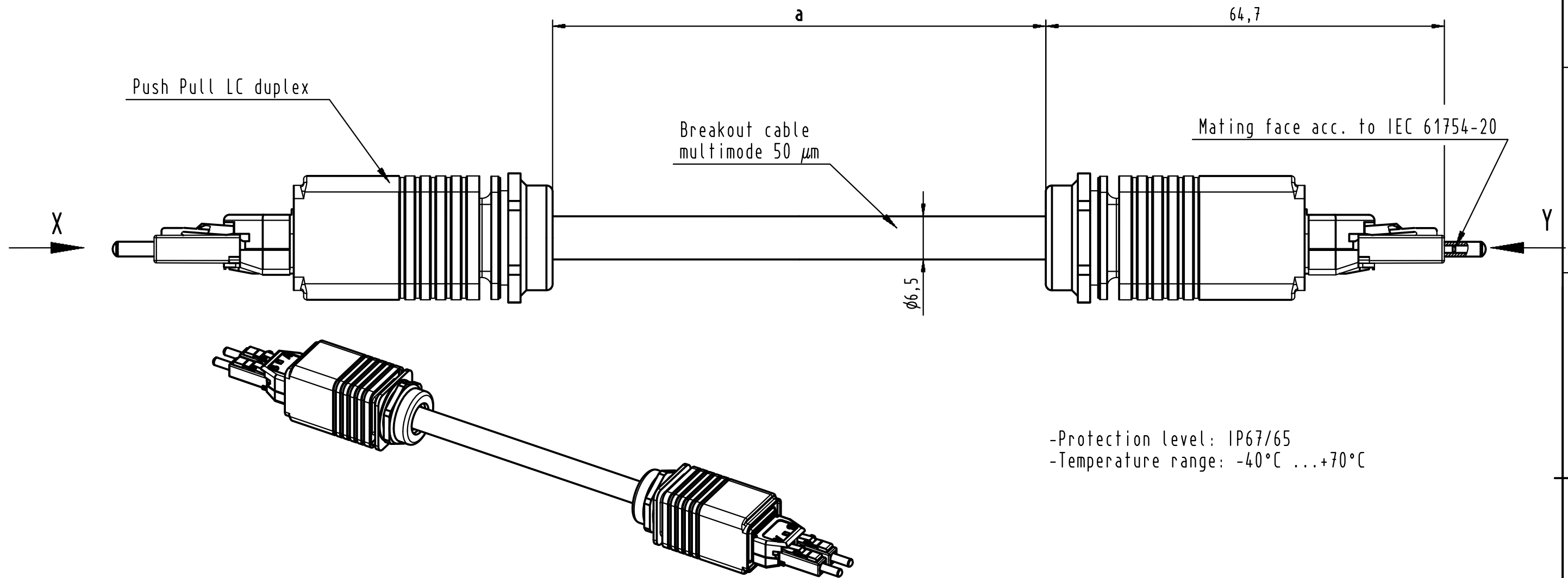
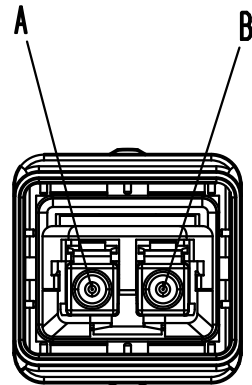


Alle Rechte vorbehalten/ All rights reserved



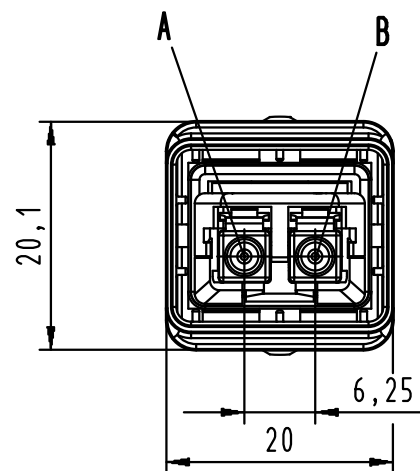
X
without protection cap



Loading-Plan

A — blue — B
B — orange — A

Y
without protection cap



9	Fiber optic cable breakout Multi Mode	33 58 211 300 0004	300 ± 3 m
8	Fiber optic cable breakout Multi Mode	33 58 211 100 0004	100 ± 1 m
7	Fiber optic cable breakout Multi Mode	33 58 211 060 0004	60 ± 0,6 m
6	Fiber optic cable breakout Multi Mode	33 58 211 050 0004	50 ± 0,5 m
5	Fiber optic cable breakout Multi Mode	33 58 211 040 0004	40 ± 0,4 m
4	Fiber optic cable breakout Multi Mode	33 58 211 020 0004	20 ± 0,2 m
3	Fiber optic cable breakout Multi Mode	33 58 211 010 0004	10 ± 0,1 m
2	Fiber optic cable breakout Multi Mode	33 58 211 005 0004	5 ± 0,05 m
1	Fiber optic cable breakout Multi Mode	33 58 211 001 0004	1 ± 0,015 m

Cont No.	Type of cable	Part-No.	Dim. a
----------	---------------	----------	--------

All Dimensions in mm Original Size DIN A 3		Techn. Character.		Nicht tolerierte Maß/Free size tolerances																
		<table border="1"> <tr> <td></td> <td>Dat.</td> <td>Name</td> <td>Maßstab/Scale</td> </tr> <tr> <td>Detail.</td> <td>16.11.09</td> <td>MS</td> <td rowspan="3">/</td> </tr> <tr> <td>Insp.</td> <td>16.11.09</td> <td>RA</td> </tr> <tr> <td>Stand.</td> <td></td> <td></td> </tr> </table>			Dat.	Name	Maßstab/Scale	Detail.	16.11.09	MS	/	Insp.	16.11.09	RA	Stand.			FO cable assembly 2xPush Pull LC duplex Multimode 50 µm		
	Dat.	Name	Maßstab/Scale																	
Detail.	16.11.09	MS	/																	
Insp.	16.11.09	RA																		
Stand.																				
<table border="1"> <tr> <td>DRS761A</td> <td>07.07.10</td> <td>MS</td> </tr> <tr> <td>DRS539B</td> <td></td> <td></td> </tr> <tr> <td>Mod.</td> <td>Dat.</td> <td>Name</td> </tr> </table>		DRS761A	07.07.10	MS	DRS539B			Mod.	Dat.	Name	<table border="1"> <tr> <td colspan="2">HARTING Electronics GmbH & Co. KG</td> <td rowspan="2"> </td> <td rowspan="2"> TB 33 58 211 xxx 0004 </td> <td rowspan="2">Blatt/ page</td> </tr> <tr> <td colspan="2">D-32339 ESPELKAMP</td> <td>Sub.</td> </tr> </table>		HARTING Electronics GmbH & Co. KG			TB 33 58 211 xxx 0004	Blatt/ page	D-32339 ESPELKAMP		Sub.
DRS761A	07.07.10	MS																		
DRS539B																				
Mod.	Dat.	Name																		
HARTING Electronics GmbH & Co. KG			TB 33 58 211 xxx 0004	Blatt/ page																
D-32339 ESPELKAMP					Sub.															

For Information Only
won't be replaced when changed