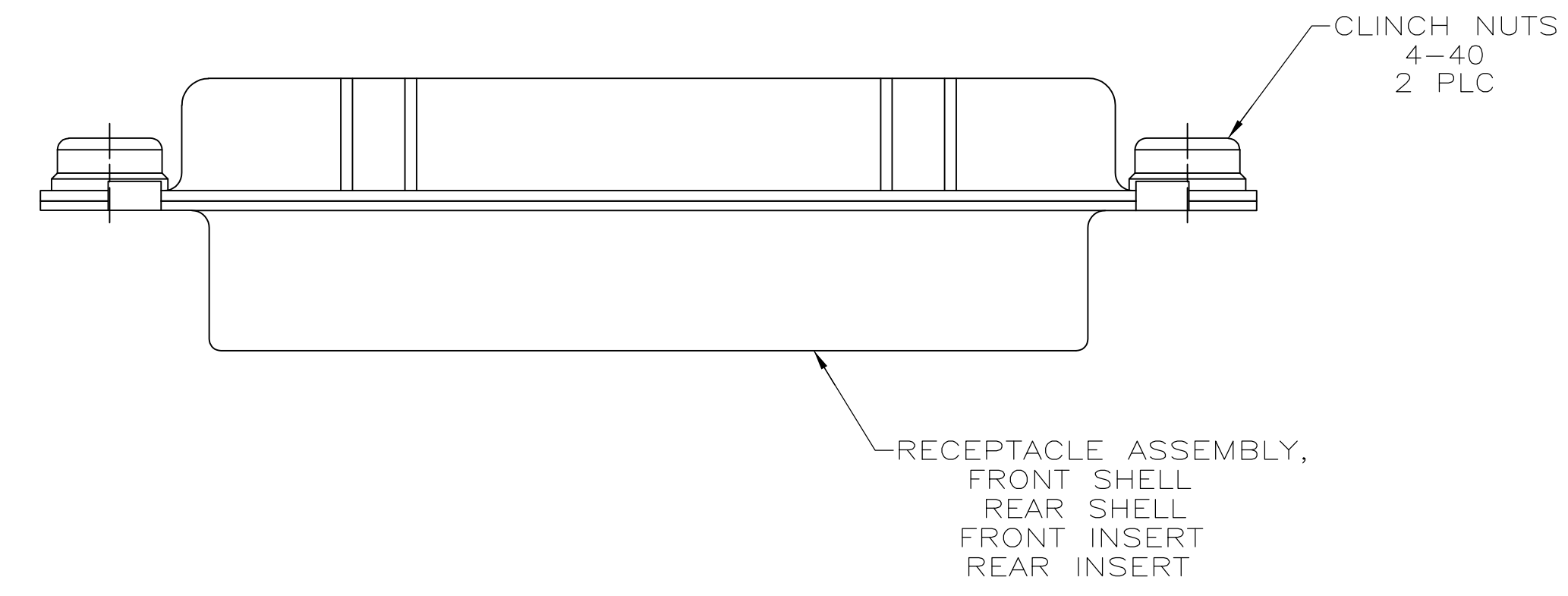
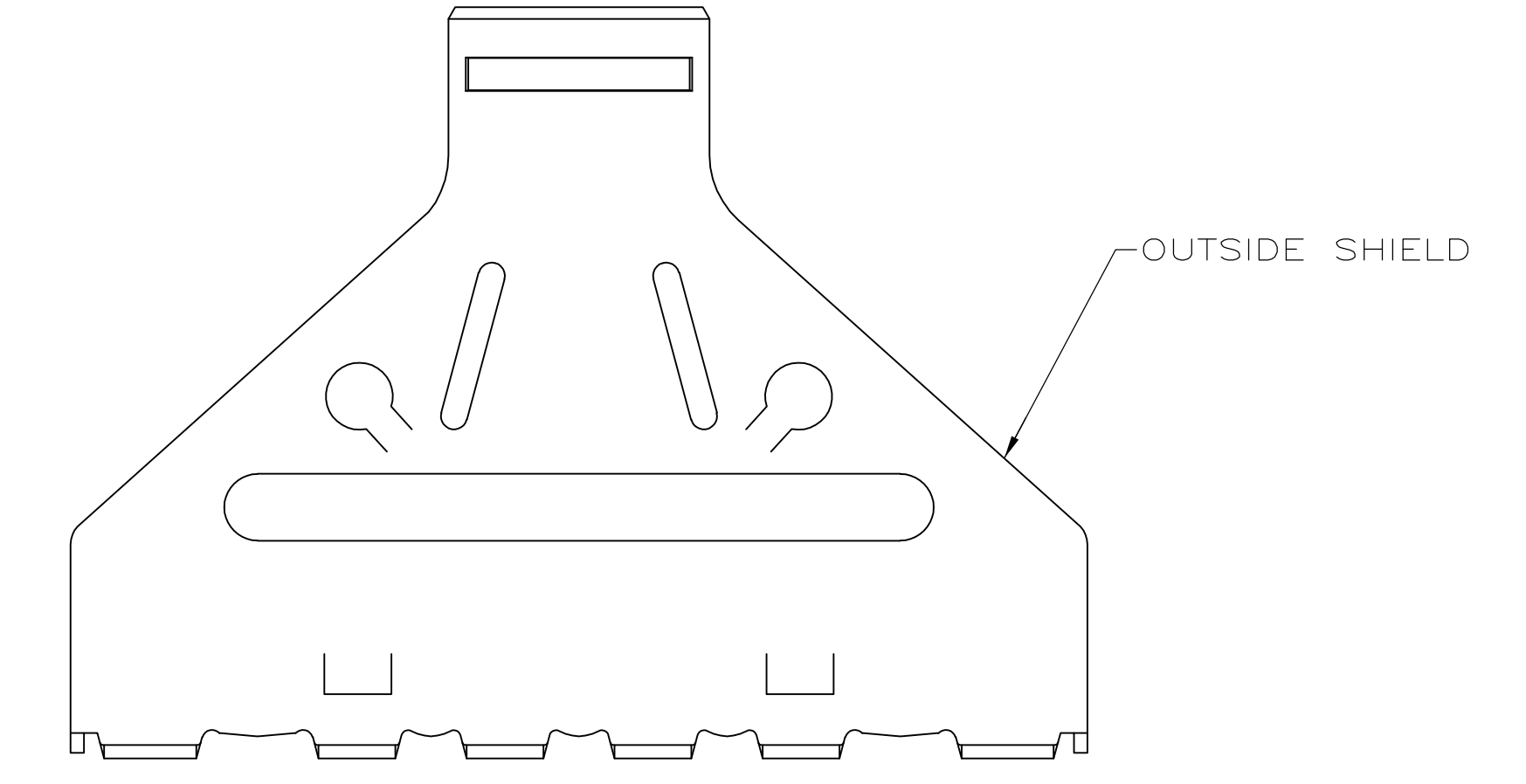
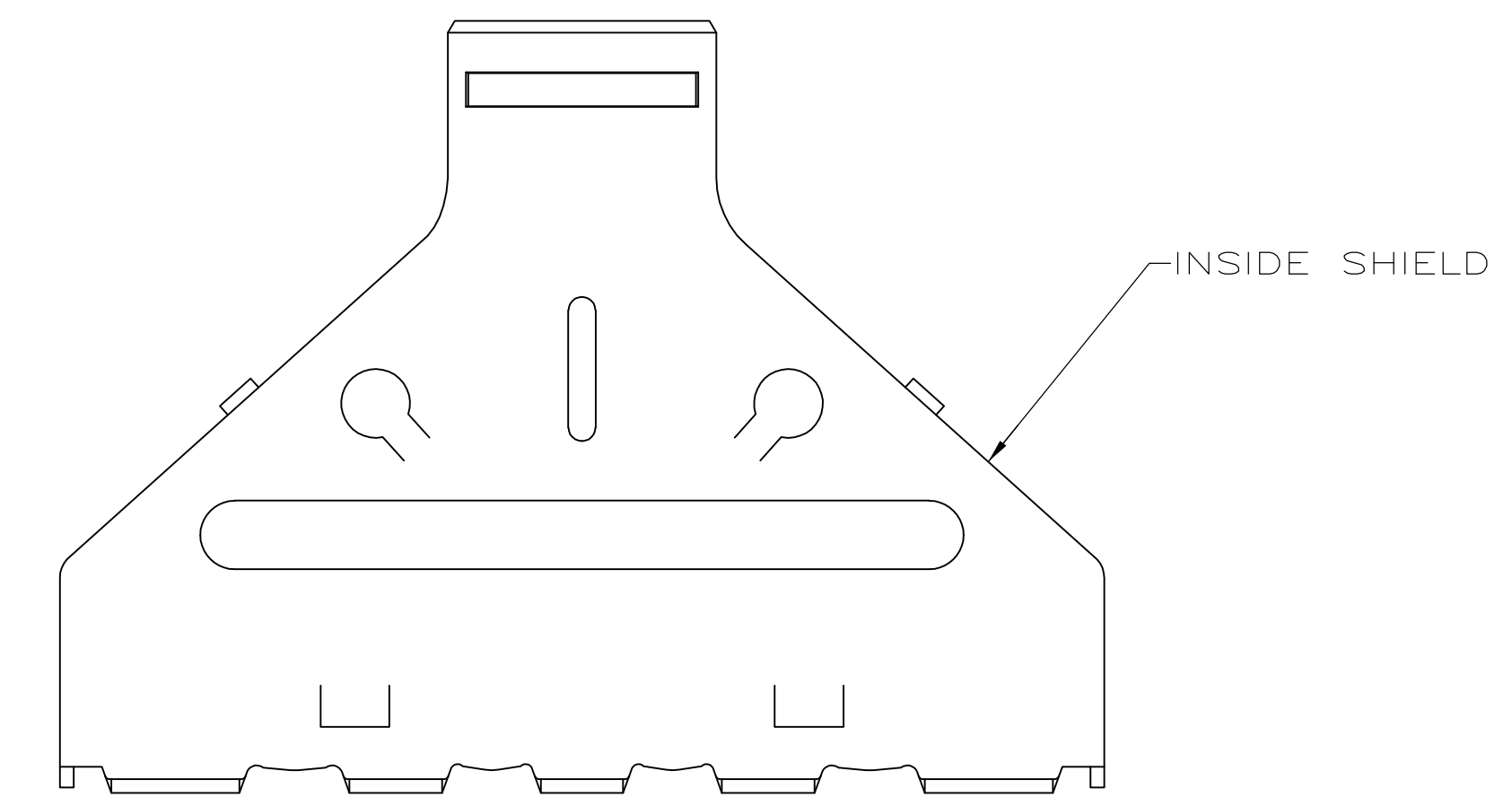
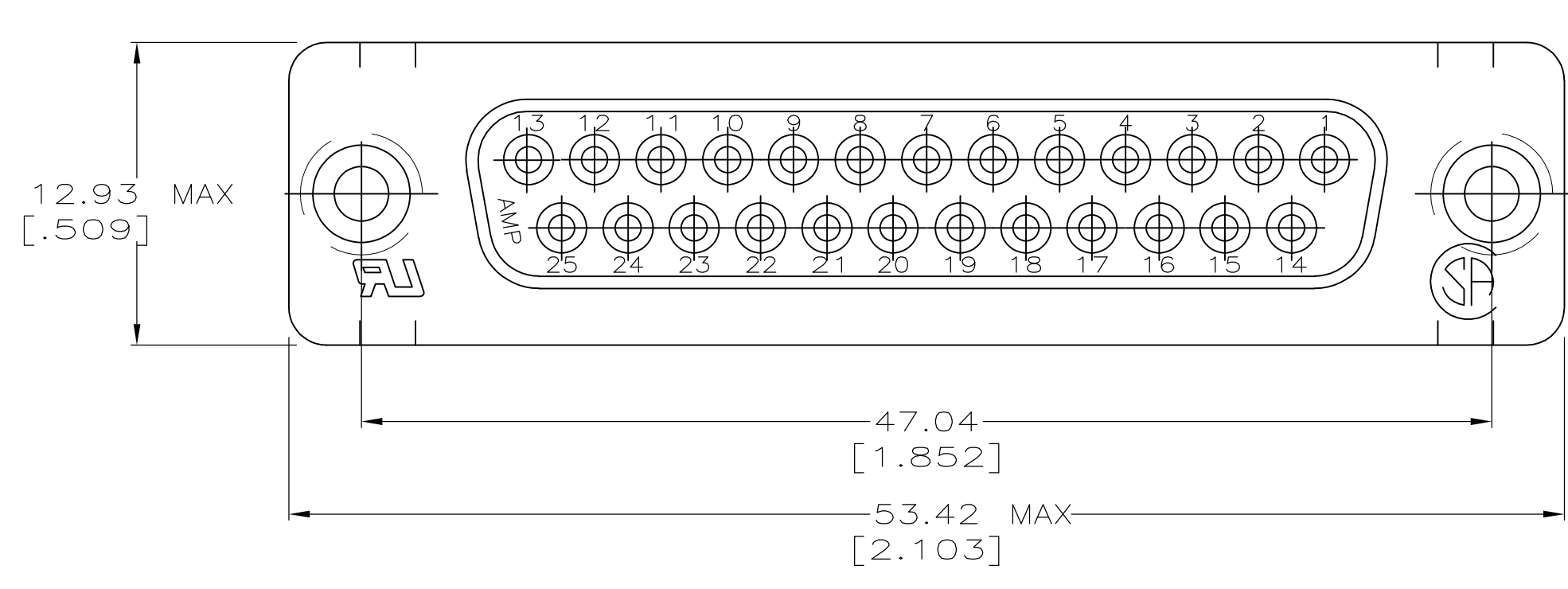


- RECEPTACLE ACCEPTS SIZE 20 SOCKET CONTACTS, CONTACTS MUST BE ORDERED SEPARATELY. ASSEMBLY MATES WITH ANY 25 POSN PLUG IN AMPLIMITE® SERIES.
- NYLON, FLAME RETARDANT, UL 94V-0 RATED, GLASS FILLED, BLACK.
- CARBON STEEL PER ASTM A 109.
- 5.08µm [.000200] MIN TIN OVER 2.54µm [.000100] MIN COPPER.
- ZINC PLATED.
- EACH PART INDIVIDUALLY BULK PACKED.



1658662-1  
PART NUMBER

THIS DRAWING IS A CONTROLLED DOCUMENT.		DWN: J. REITZEL 31JUL03	Tyco Electronics Corporation Harrisburg, PA 17105-3608
DIMENSIONS: mm [INCHES]		CHK: S. BOLASH 31JUL03	
TOLERANCES UNLESS OTHERWISE SPECIFIED:		APRD: M. WALMSLEY 31JUL03	RECEPTACLE KIT, SIZE 3, 25 POSN, WITH CLINCH NUTS, SHIELDING HARDWARE, AMPLIMITE™ HDP-20
0 PLC ± -		PRODUCT SPEC	
1 PLC ± -		108-40030	
2 PLC ± 0.15[.005]		APPLICATION SPEC	
3 PLC ± -		114-40030	SIZE: CAGE CODE DRAWING NO
4 PLC ± -		ANGLES ± 2°	RESTRICTED TO
FINISH		WEIGHT -	A1 00779 ©=1658662
MATERIAL: INSERTS: △		SHELLS & SHIELDS: △	CUSTOMER DRAWING
SHELLS & SHIELDS: △		CLINCH NUTS: △	SCALE 2:1 SHEET 1 OF 1 REV A