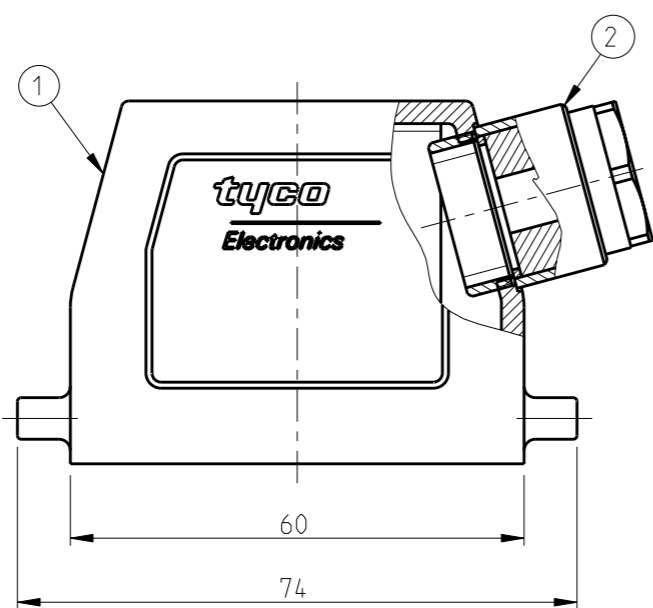


THIS DRAWING IS UNPUBLISHED. RELEASED FOR PUBLICATION 1999  
 © COPYRIGHT 1998 BY TYCO ELECTRONICS CORPORATION. ALL RIGHTS RESERVED.

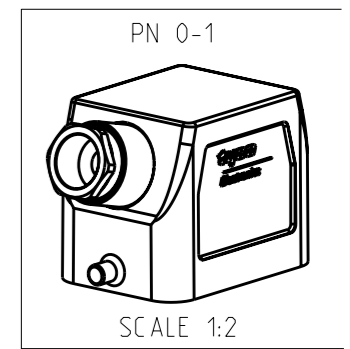
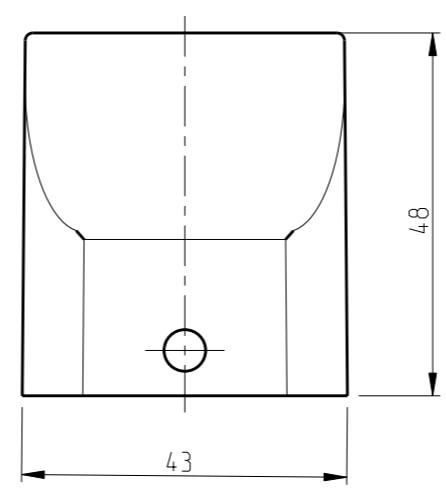
LOC	DIST	REVISIONS					
		P	LTR	DESCRIPTION	DATE	DWN	APVD
A1			A2	Released as per ECR-07-030416	17.12.07	SP	TS

Notes

- 1 Material: Housing: Aluminium diecasting alloy
- 2 Surface:- Varnish-grey
- 3 Varnish on the inside not necessary
- 4 Packaging  
Packaging quantity: 5 pieces in box



PN0-1



QTY	DESCRIPTION	MATERIAL	SURFACE	COLOR	ITEM NO	NOTES
1	Cable connection round	Brass	Nickle plated	Blue	2	PG13
1	Hood HB	Aluminium	-	Grey	1	

ORDERING TEXT  
 HB.6.STS.1.13

<small>THIS DRAWING IS A CONTROLLED DOCUMENT FOR TYCO ELECTRONICS CORPORATION          IT IS SUBJECT TO CHANGE AND THE CONTROLLING ENGINEERING ORGANIZATION          SHOULD BE CONTACTED FOR THE LATEST REVISION.</small>		DWN <b>Schneider</b> 26.11.02 CHK <b>Schweiger</b> 26.11.02 APVD	Tyco Electronics Tyco Electronics,AMP,GmbH D-53819,Neunkirchen,Germany
DIMENSIONS: mm 	TOLERANCES UNLESS OTHERWISE SPECIFIED: n-ISO 8015 n-ISO 2768-mH-E n-DIN 15001-120 0 PLC ± 1 PLC ± 2 PLC ± 3 PLC ± 4 PLC ± ANGLES ±	PRODUCT SPEC APPLICATION SPEC WEIGHT CUSTOMER DRAWING	NAME <b>Hood</b> <b>HB.6.STS.1.13</b> SIZE A3 CAGE CODE 00779 DRAWING NO C-1108574 RESTRICTED TO
MATERIAL	FINISH	SCALE 1:1	SHEET 1 OF 1 REV A2