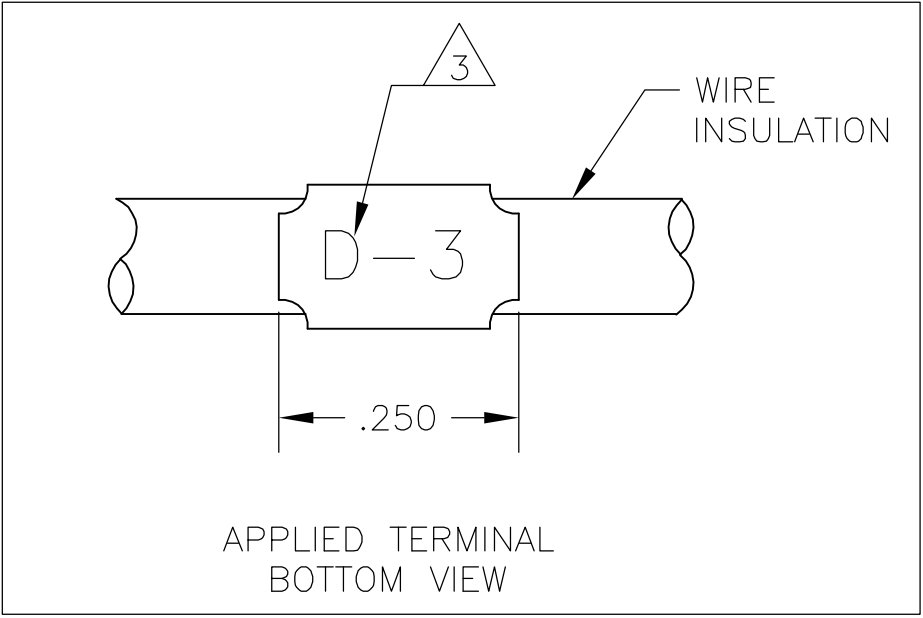
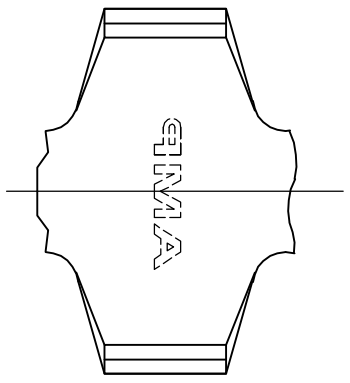
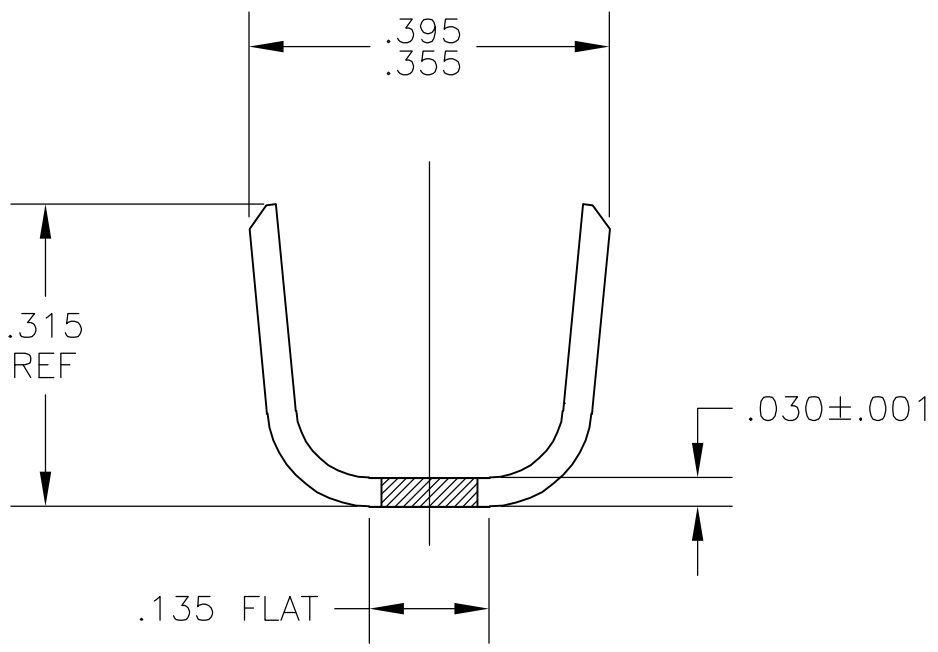
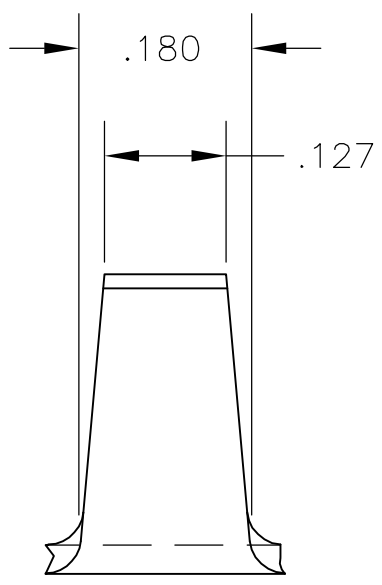


THIS DRAWING IS UNPUBLISHED. RELEASED FOR PUBLICATION  
 © COPYRIGHT BY TYCO ELECTRONICS CORPORATION. ALL RIGHTS RESERVED.

LOC	DIST	REVISIONS					
AF	50	P	LTR	DESCRIPTION	DATE	DWN	APVD
			A1	ECR-07-001426(REDRAWN IN AUTOCAD)	06DEC06	HMR	GP



- 1 CONTINUOUS STRIP ON REELS.
- 2 INSULATION RANGE: .150 - .300 DIA.
- △3 POSITION OF CUSTOMER'S CODE NUMBER (1 OR 2 DIGITS OR LETTERS)



41282  
PART NO

THIS DRAWING IS A CONTROLLED DOCUMENT.		DWN RAGHAVENDRA	06DEC06	Tyco Electronics Corporation Harrisburg, Pa 17105-3608	
DIMENSIONS: INCHES		CHK G.D.PORTA	04JAN07		
		APVD G.D.PORTA	04JAN07	NAME	
TOLERANCES UNLESS OTHERWISE SPECIFIED:		PRODUCT SPEC		IDENTIFICATION BAND	
0 PLC ± - 1 PLC ± - 2 PLC ± - 3 PLC ± .010 4 PLC ± - ANGLES ± -		APPLICATION SPEC		SIZE	CAGE CODE
MATERIAL O82 BRASS		FINISH NONE		DRAWING NO A3 00779 C-41282	
		WEIGHT -		RESTRICTED TO -	
CUSTOMER DRAWING				SCALE 5:1	SHEET 1 OF 1
				REV A1	