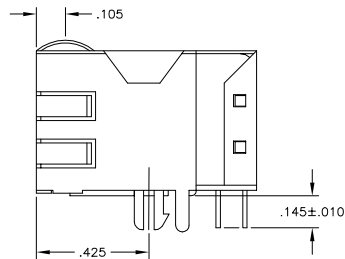
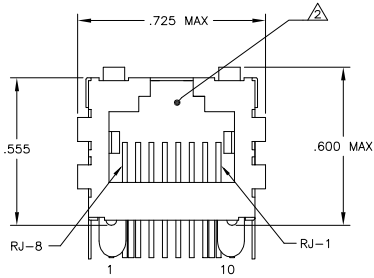
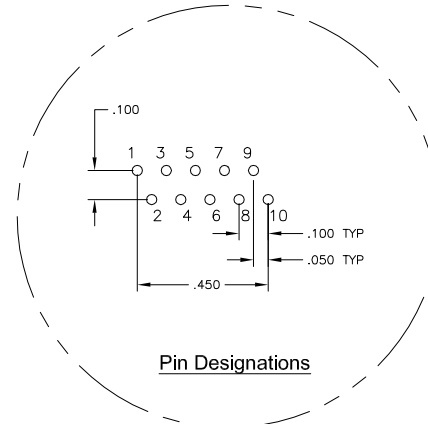
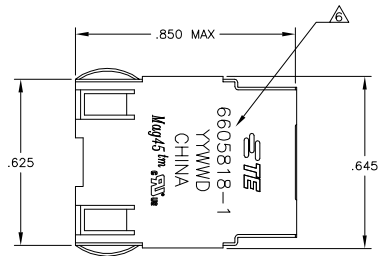


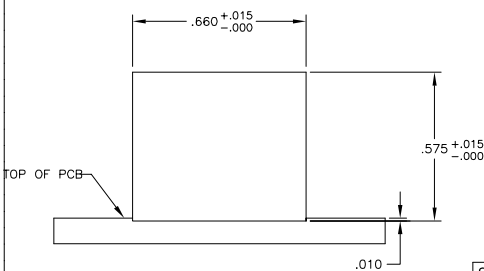
LOC	DATE	REVISIONS		
AA	22			
REV	DESCRIPTION	DATE	BY	APP'D
C	REV PER ECO-08-025449	04SEP2008	RQ	TX
D	ECO-11-013935	30MAY2011	EL	LR

**MECHANICAL:**

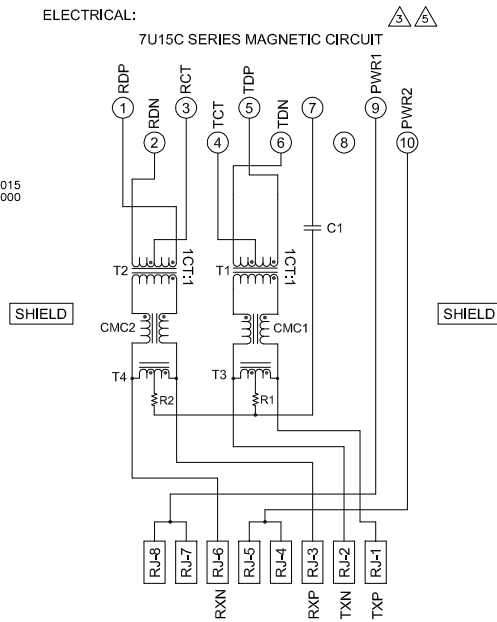


- △ **MATERIALS:**
  - HOUSING - THERMOPLASTIC POLYESTER FLAMMABILITY RATING UL 94V-0.
  - SHIELD - .010" THICK, C26800 BRASS PREPLATED WITH 30μINCH MIN SEMI-BRIGHT NICKEL, SOLDER TABS POST DIPPED WITH 100μINCH MIN SAC SOLDER.
  - MOD JACK CONTACTS - 0.0157" x 0.018" PHOSPHOR BRONZE, 50μINCH MIN OVERALL NICKEL UNDERPLATE, WITH SELECT 50μINCH MIN HARD GOLD FINISH PLATE.SOLDERTAILS WITH 100μINCH MIN MATTE TIN AND/OR SAC SOLDER DIP.
- △ **RJ45 JACK CAVITY CONFORMS TO FCC RULES AND REGULATIONS PART 68, SUB PART F.**
- △ **MAGNETICS**
  - IMPEDANCE: 100 OHMS
  - TURNS RATIO (CHIP,CABLE): TX = 1:1, RX = 1:1
  - OPEN CIRCUIT INDUCTANCE (OCL): 350mH MIN @100kHz, 0.1VRMS,8mADC BIAS FROM 0°C TO 70°C, TX AND RX
  - POE CURRENT: 350mADC MAX
  - PERFORMANCE @ 25°C:
    - INSERTION LOSS (IL): 1.1dB MAX FROM 0.5MHz TO 100MHz
    - RETURN LOSS (RL): 18dB MIN FROM 0.5MHz TO 30MHz
    - 18-20LOG(f/30)dB MIN FROM 30.1MHz TO 60MHz
    - 12dB MIN FROM 60.1MHz TO 80MHz
    - CROSSTALK ATTENUATION: 35dB MIN FROM 0.5MHz TO 40MHz
    - 33-20xLOG(f/50)dB MIN FROM 40.1MHz TO 100MHz
    - COMMON MODE REJECTION RATIO (CMRR): 30dB MIN FROM 0.5MHz TO 100MHz
    - ISOLATION VOLTAGE:1500VAC (MAX) AT 60Hz FOR 60 SECS.
- 4. **OPERATING TEMPERATURE: FROM 0°C TO +70°C.**
- △ **INDICATED CONNECTIONS ARE FOR NIC CONFIGURATION. THE MAGNETICS ARE SYMMETRIC TO SUPPORT AUTO-MDI/MDIX.**
- △ **TE CONNECTIVITY LOGO, PART NUMBER, DATE CODE, COUNTRY OF ORIGIN AND AGENCY APPROVAL MARKING IN APPROXIMATE LOCATION SHOWN.**
- 7. **THE PART IS RECOMMENDED FOR WAVE SOLDERING PROCESS. PREHEAT TEMPRATURE IS 120°C TO 160°C, 120 SECONDS TO 180 SECONDS, PEAK SOLDERING TEMPERATURE IS 260 °C MAX, 10 SECONDS MAX.**

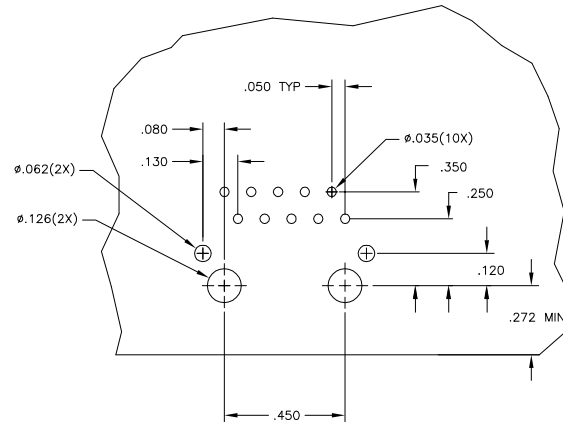
**ELECTRICAL:**



Suggested Panel Cutout



C1=1000 pF, 3kV CAPACITOR  
R1-R2 = 75 OHMS, 1/16 W RESISTOR



Suggested PCB Layout (Component Side)

6605818-1  
PART NUMBER

DIMENSIONS:		UNLESS OTHERWISE SPECIFIED:	INCHES	MILLIMETERS
0	PAC	± .010		
1	PAC	± .010		
2	PAC	± .010		
3	PAC	± .010		
4	PAC	± .010		
5	PAC	± .010		
6	PAC	± .010		
7	PAC	± .010		
8	PAC	± .010		
9	PAC	± .010		
10	PAC	± .010		
11	PAC	± .010		
12	PAC	± .010		
13	PAC	± .010		
14	PAC	± .010		
15	PAC	± .010		
16	PAC	± .010		
17	PAC	± .010		
18	PAC	± .010		
19	PAC	± .010		
20	PAC	± .010		
21	PAC	± .010		
22	PAC	± .010		
23	PAC	± .010		
24	PAC	± .010		
25	PAC	± .010		
26	PAC	± .010		
27	PAC	± .010		
28	PAC	± .010		
29	PAC	± .010		
30	PAC	± .010		
31	PAC	± .010		
32	PAC	± .010		
33	PAC	± .010		
34	PAC	± .010		
35	PAC	± .010		
36	PAC	± .010		
37	PAC	± .010		
38	PAC	± .010		
39	PAC	± .010		
40	PAC	± .010		
41	PAC	± .010		
42	PAC	± .010		
43	PAC	± .010		
44	PAC	± .010		
45	PAC	± .010		
46	PAC	± .010		
47	PAC	± .010		
48	PAC	± .010		
49	PAC	± .010		
50	PAC	± .010		
51	PAC	± .010		
52	PAC	± .010		
53	PAC	± .010		
54	PAC	± .010		
55	PAC	± .010		
56	PAC	± .010		
57	PAC	± .010		
58	PAC	± .010		
59	PAC	± .010		
60	PAC	± .010		
61	PAC	± .010		
62	PAC	± .010		
63	PAC	± .010		
64	PAC	± .010		
65	PAC	± .010		
66	PAC	± .010		
67	PAC	± .010		
68	PAC	± .010		
69	PAC	± .010		
70	PAC	± .010		
71	PAC	± .010		
72	PAC	± .010		
73	PAC	± .010		
74	PAC	± .010		
75	PAC	± .010		
76	PAC	± .010		
77	PAC	± .010		
78	PAC	± .010		
79	PAC	± .010		
80	PAC	± .010		
81	PAC	± .010		
82	PAC	± .010		
83	PAC	± .010		
84	PAC	± .010		
85	PAC	± .010		
86	PAC	± .010		
87	PAC	± .010		
88	PAC	± .010		
89	PAC	± .010		
90	PAC	± .010		
91	PAC	± .010		
92	PAC	± .010		
93	PAC	± .010		
94	PAC	± .010		
95	PAC	± .010		
96	PAC	± .010		
97	PAC	± .010		
98	PAC	± .010		
99	PAC	± .010		
100	PAC	± .010		