



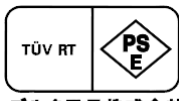
51.5 (W) x 30.5 (H) x 115 (L) mm

## DPS-65VB

### FEATURES

- Total Power 65W, peak 78W for 3Sec.
- Efficiency : Meet DoE level VI
- High Reliability : > 100,000 Hours @ 25°C , 100Vac/maximum load
- Protection : Short / Over-current / Over-voltage / Over-temperature
- Safety : CCC, CB, UL/CUL, TUV, CE, BSMI, PSE, KC, RCM, EAC, NOM, TUV-S, ANATEL, SASO, SABS, BIS, MEPS, NRCAN, meet CCC tropical standard.
- EMI : CLASS B

Input	Voltage Range	100~264Vac Auto Range
	Frequency	47~63Hz
	Efficiency	The average efficiency at 25%, 50%, 75% and 100% load/115Vac 60Hz/230Vac 50Hz ≥ 88%
	Input Current	100Vac/12V/2A load ≤ 2A
Output	12V	0A ~ 5.417A
Protection	Over-current	Auto Recovery
	Over-temperature	Latch-off
	Short	Auto Recovery
	Over-voltage	Latch-off
Environment	Operating Temp.	0 to 40°C
	Storage Temp.	-20 to 80 °C
	Operating Humidity	20% - 80%
	Storage Humidity	10% - 90%



DELTA 電子株式会社



R33030



**DELTA ELECTRONICS, INC.**  
3, TUNG YUAN ROAD, CHUNGLI  
INDUSTRIAL ZONE  
TAOYUAN SHIEH, TAIWAN, R.O.C.  
TEL: 886-3-4526107  
FAX: 886-3-4527314  
mail: powersales@delta.com.tw

**DELTA PRODUCTS CORPORATION**  
4405 CUSHING PARKWAY  
FREMONT, CA 94538, U.S.A.  
TEL: 1-510-668-5100  
FAX: 1-510-668-0680

**DELTA ELECTRONICS(JAPAN) INC.**  
DELTA SHIBADAIMON BLDG.  
2-1-14 SHIBADAIMON, MINATO-KU,  
TOKYO, 105-0012, JAPAN  
TEL: 81-3-5733-1111  
FAX: 81-3-5733-1211

**DELTA ELECTRONICS, EUROPE LTD.**  
2 YOUNG PLACE KELVIN  
INDUSTRIAL ESTATE EAST KILBROIDE,  
GLASGOW G75 0TD, U.K.  
TEL: 44-1355-588888  
FAX: 44-1355-588889

The de-rating curve of ambient temperature shown as Fig.1.

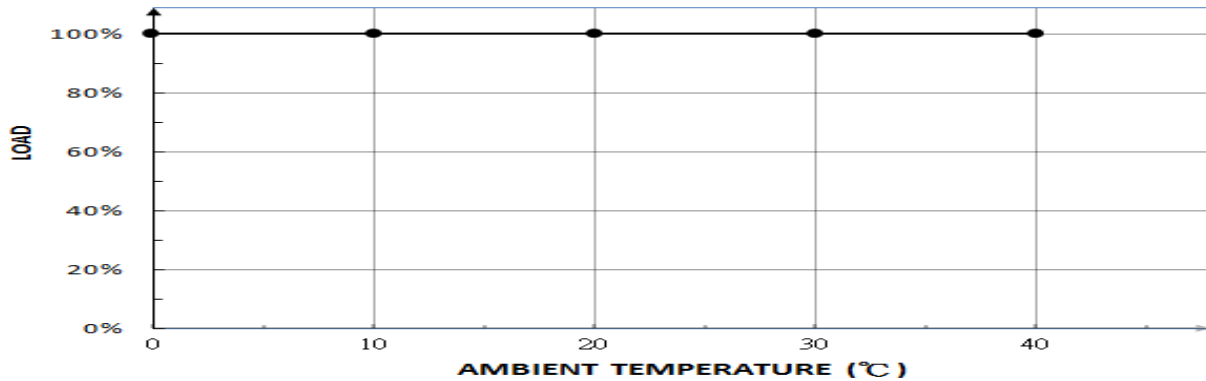
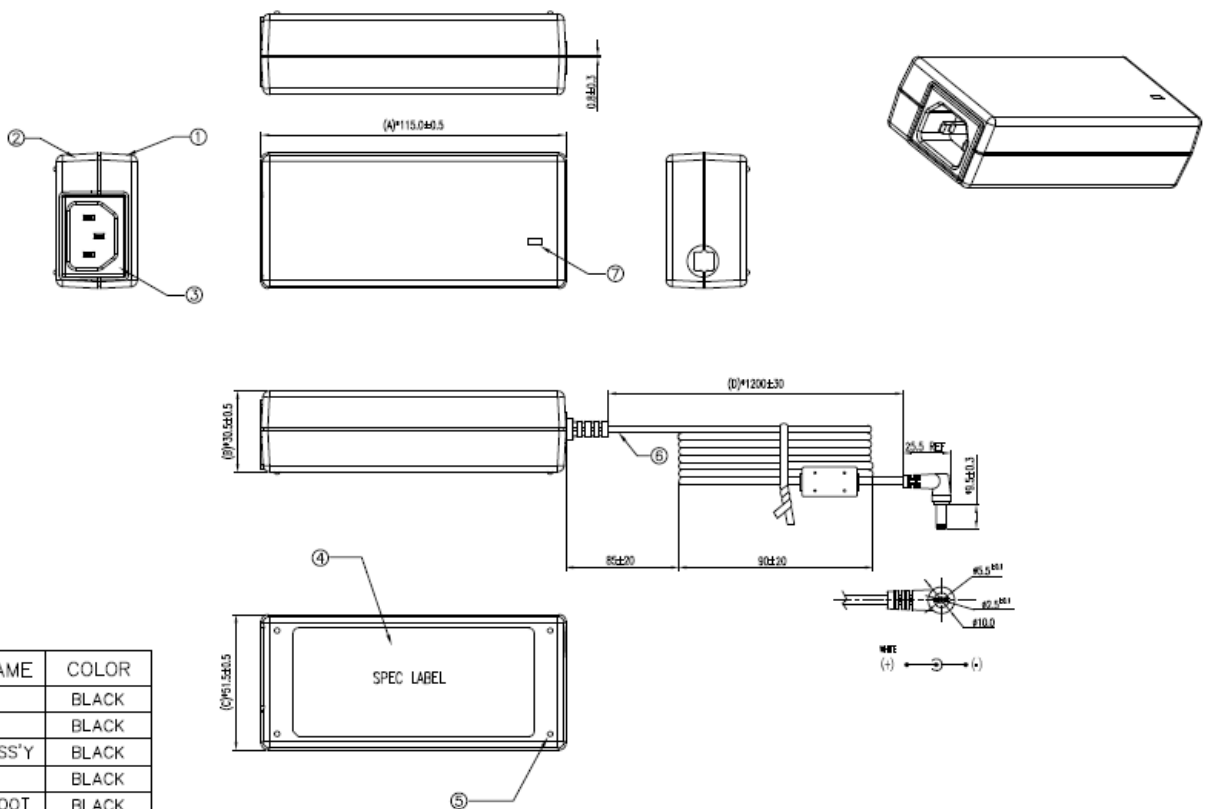


Fig.1 Ambient temperature to power de-rating curve

<b>Size : (L x W x H)</b>	<b>115*51.5*30.5 mm</b>
<b>AC Input Connector</b>	<b>C14</b>
<b>DC Output Connector</b>	<b>TUNING FORK PLUG(2.5*5.5)</b>



NOTES:

1.

ITEM	PART NAME	COLOR
①	CHASSIS	BLACK
②	COVER	BLACK
③	SOCKET ASS'Y	BLACK
④	LABEL	BLACK
⑤	RUBBER FOOT	BLACK
⑥	POWER CORD	BLACK
⑦	LENS	CLEAR

2. "\*" IS CRITICAL DIM WHICH MUST BE MEASURED.