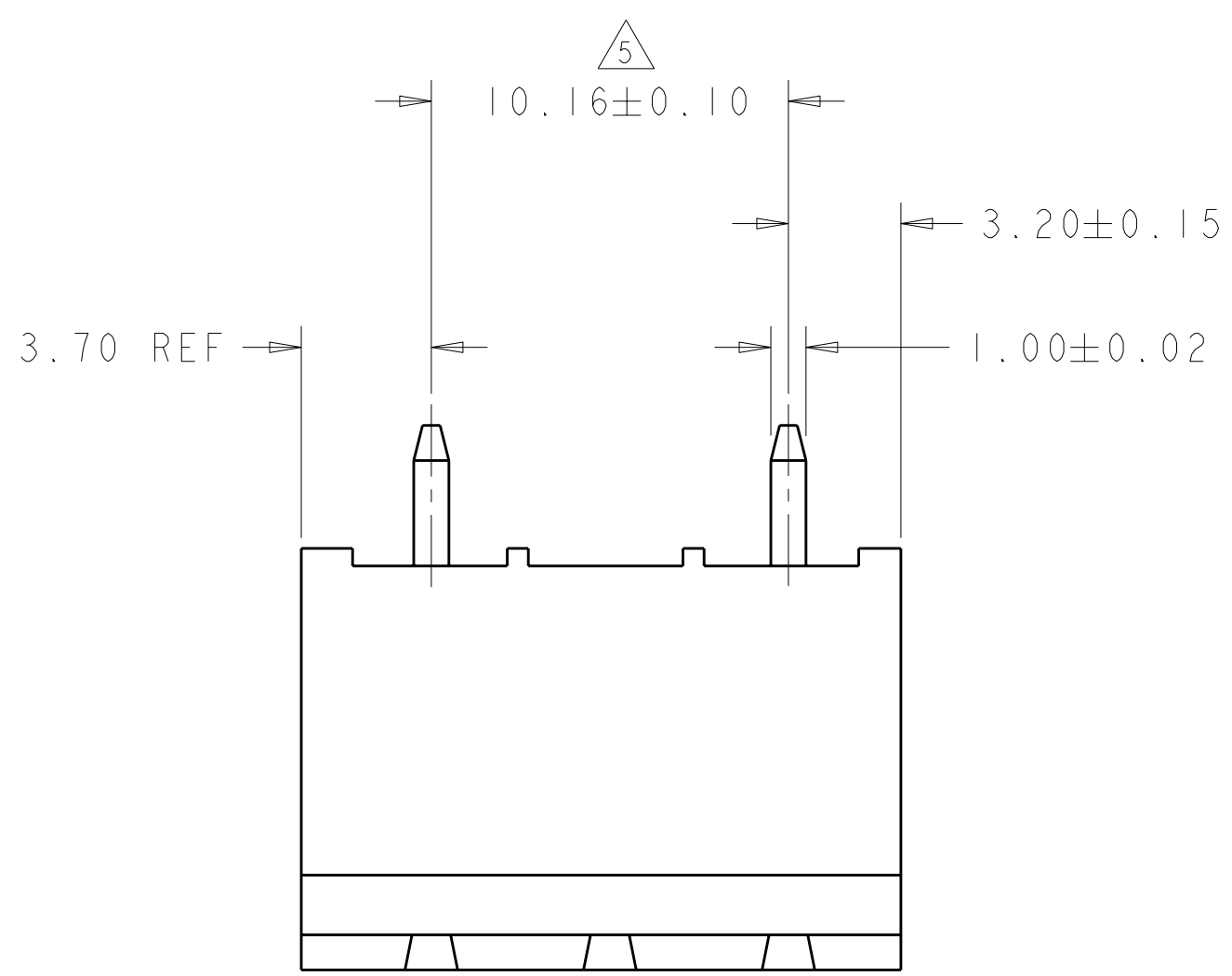
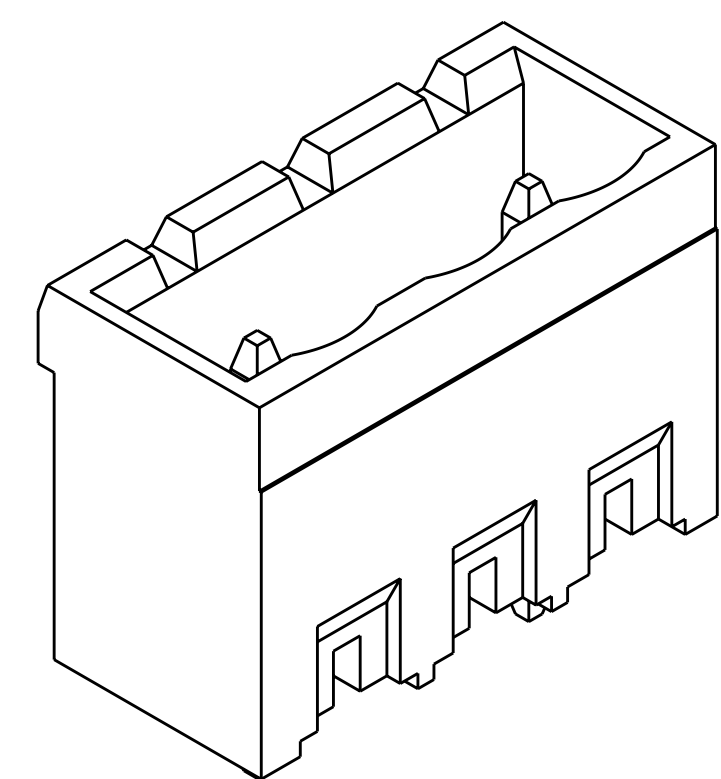


THIS DRAWING IS UNPUBLISHED. RELEASED FOR PUBLICATION 20  
 © COPYRIGHT 20 ALL RIGHTS RESERVED.

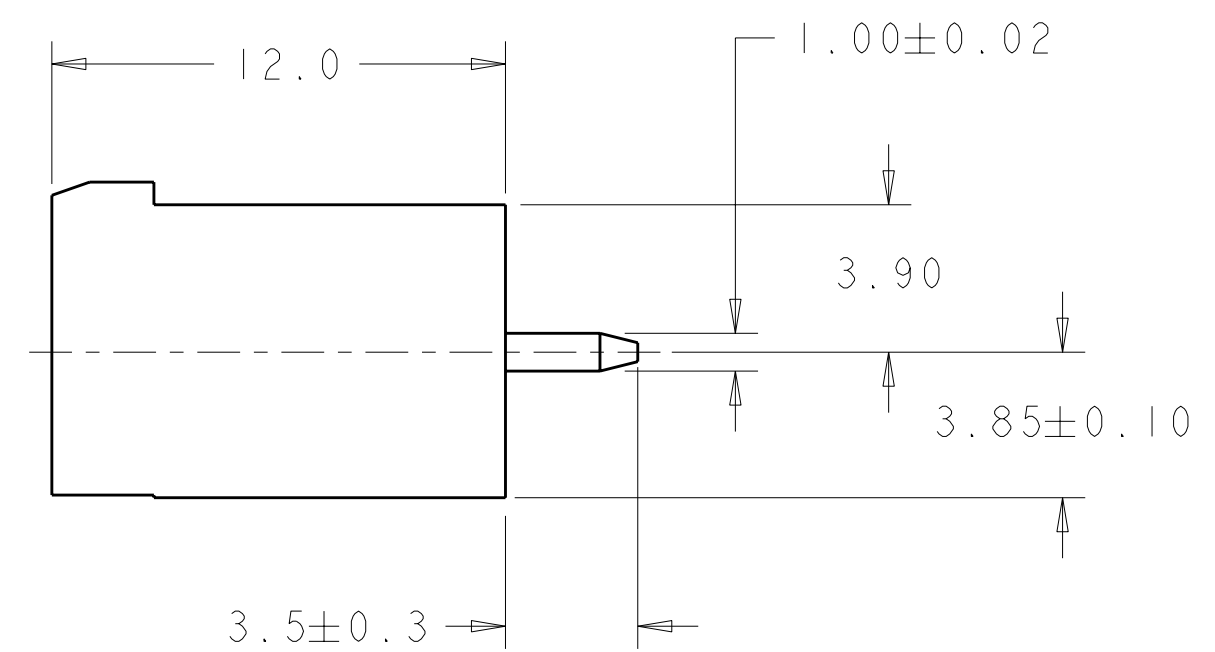
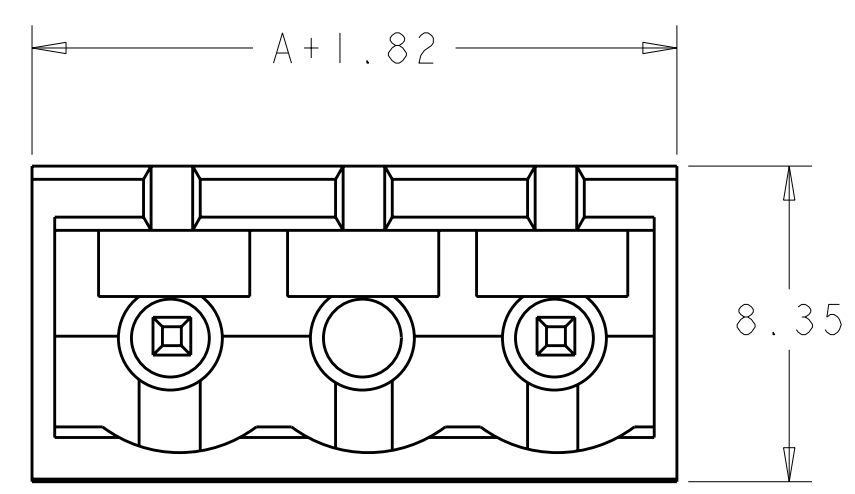
LOC		DIST		REVISIONS			
P	LTR	DESCRIPTION	DATE	DWN	APVD		
	D2	REVISED PER ECO-12-007964	02MAY2012	KH	MS		



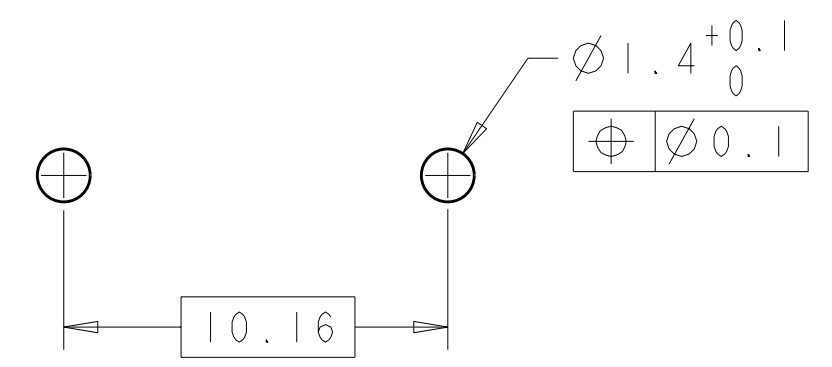
- △ MATERIALS  
 HOUSING: PA 6-6, UL 94-V0, COLOR: SEE TABLE  
 CONTACT: COPPER ALLOY, FINISH: SEE TABLE
- SUITABLE FOR 1,6-2,4mm PC BOARD THICKNESS.
  - RECOGNIZED UNDER THE COMPONENT PROGRAM OF UNDERWRITERS LABORATORIES INC. FILE N° E60677
  - IMQ CERTIFICATE WITH SURVEILLANCE IN CONFORMITY WITH IEC 998-1/998-2-1.
- △ NOT CUMULATIVE TOLERANCE.



282828-2 AS SHOWN



BLACK	TIN PLATED	35.56 <sup>+0.25</sup> <sub>-0.15</sub>	4	2-282828-4	
GREEN	0.00076 GOLD PLATED	15.24 <sup>+0.20</sup> <sub>-0.10</sub>	2	1-282828-4	
GREEN	TIN PLATED	127.00 <sup>+0.40</sup> <sub>-0.25</sub>	13	1-282828-3	
GREEN		116.84 <sup>+0.40</sup> <sub>-0.25</sub>	12	1-282828-2	
GREEN		106.68 <sup>+0.40</sup> <sub>-0.25</sub>	11	1-282828-1	
GREEN		96.52 <sup>+0.40</sup> <sub>-0.25</sub>	10	1-282828-0	
GREEN		86.36 <sup>+0.35</sup> <sub>-0.25</sub>	9	282828-9	
GREEN		76.20 <sup>+0.35</sup> <sub>-0.25</sub>	8	282828-8	
GREEN		66.04 <sup>+0.35</sup> <sub>-0.20</sub>	7	282828-7	
GREEN		55.88 <sup>+0.30</sup> <sub>-0.20</sub>	6	282828-6	
GREEN		45.72 <sup>+0.30</sup> <sub>-0.20</sub>	5	282828-5	
GREEN		35.56 <sup>+0.25</sup> <sub>-0.15</sub>	4	282828-4	
GREEN		25.40 <sup>+0.25</sup> <sub>-0.15</sub>	3	282828-3	
GREEN		15.24 <sup>+0.20</sup> <sub>-0.10</sub>	2	282828-2	
HOUSING COLOR		CONTACT FINISH	A	NO OF POSN	PART NUMBER



RECOMMENDED PC BOARD LAYOUT

THIS DRAWING IS A CONTROLLED DOCUMENT.

DIMENSIONS:	TOLERANCES UNLESS OTHERWISE SPECIFIED:	DWN	E. ZANOLINI	31 JUL 2001
mm	0 PLC ±3	CHK	D. BIEVENOUR	31 JUL 2001
	1 PLC ±.25	APVD	D. BIEVENOUR	31 JUL 2001
	2 PLC ±.25	PRODUCT SPEC	108-20166	
	3 PLC ±.	APPLICATION SPEC	114-20079	
	4 PLC ±.	WEIGHT	-	
ANGLES	±2	CUSTOMER DRAWING		
FINISH		SCALE	5:1	SHEET 1 OF 1

STE TE Connectivity

NAME: TERMINAL BLOCK HEADER ASSEMBLY  
 180 DEG CLOSED ENDS  
 10.16mm PITCH

SIZE: A2 CAGE CODE: 00779 DRAWING NO: 282828 RESTRICTED TO: -

REV D2