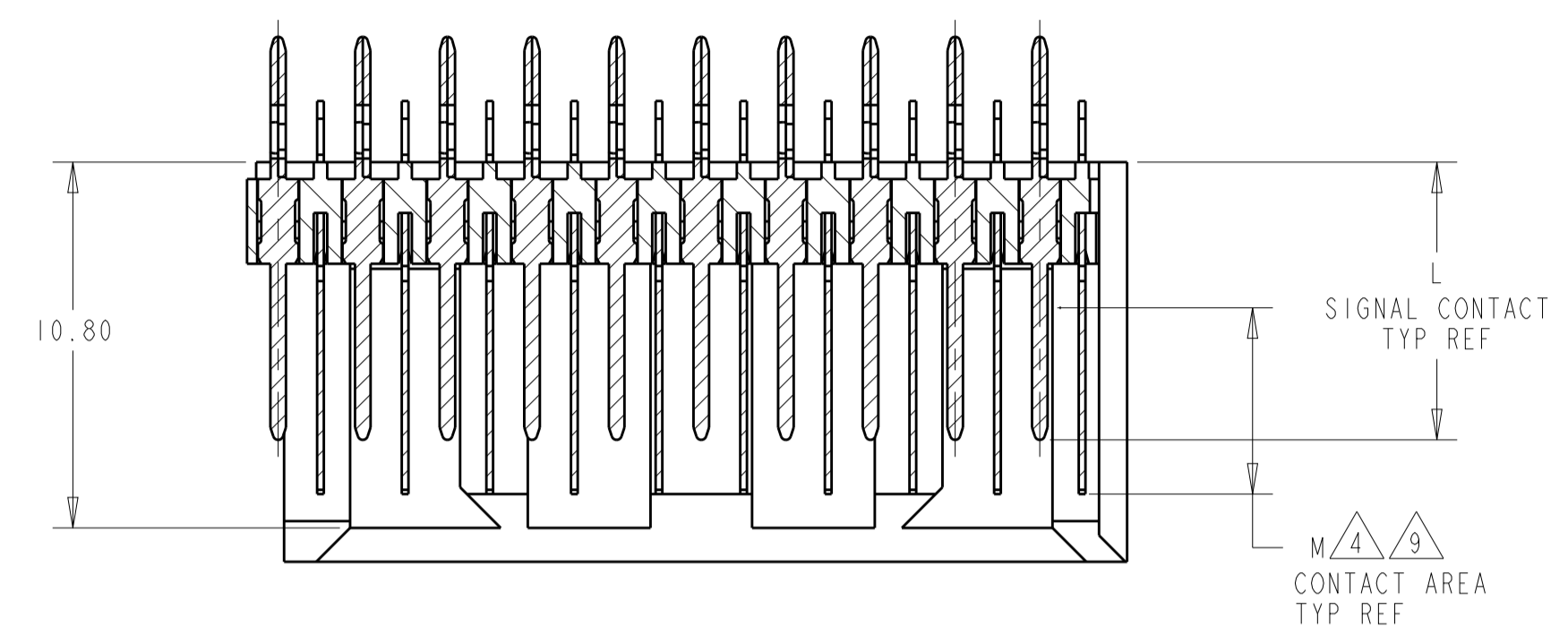
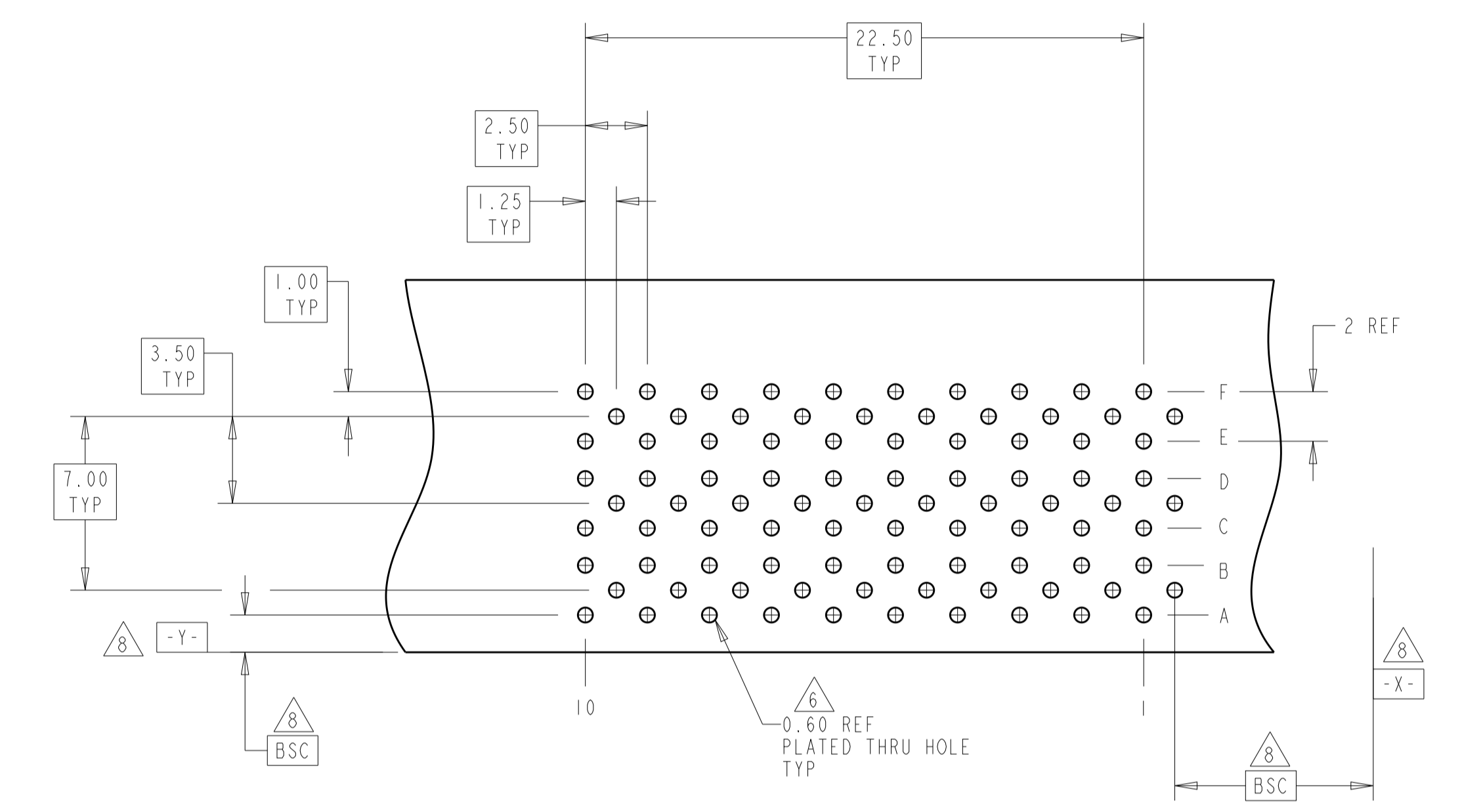
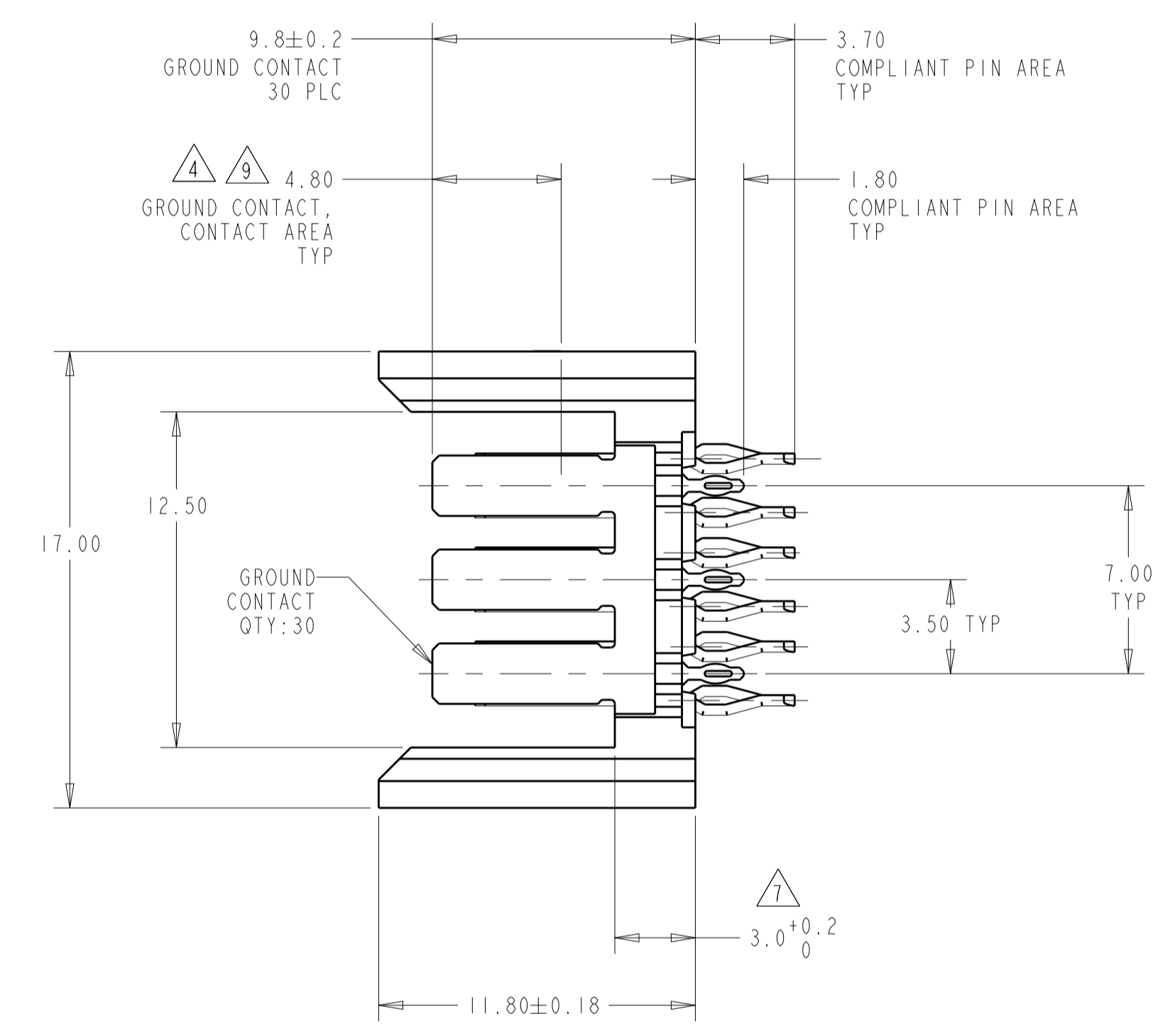
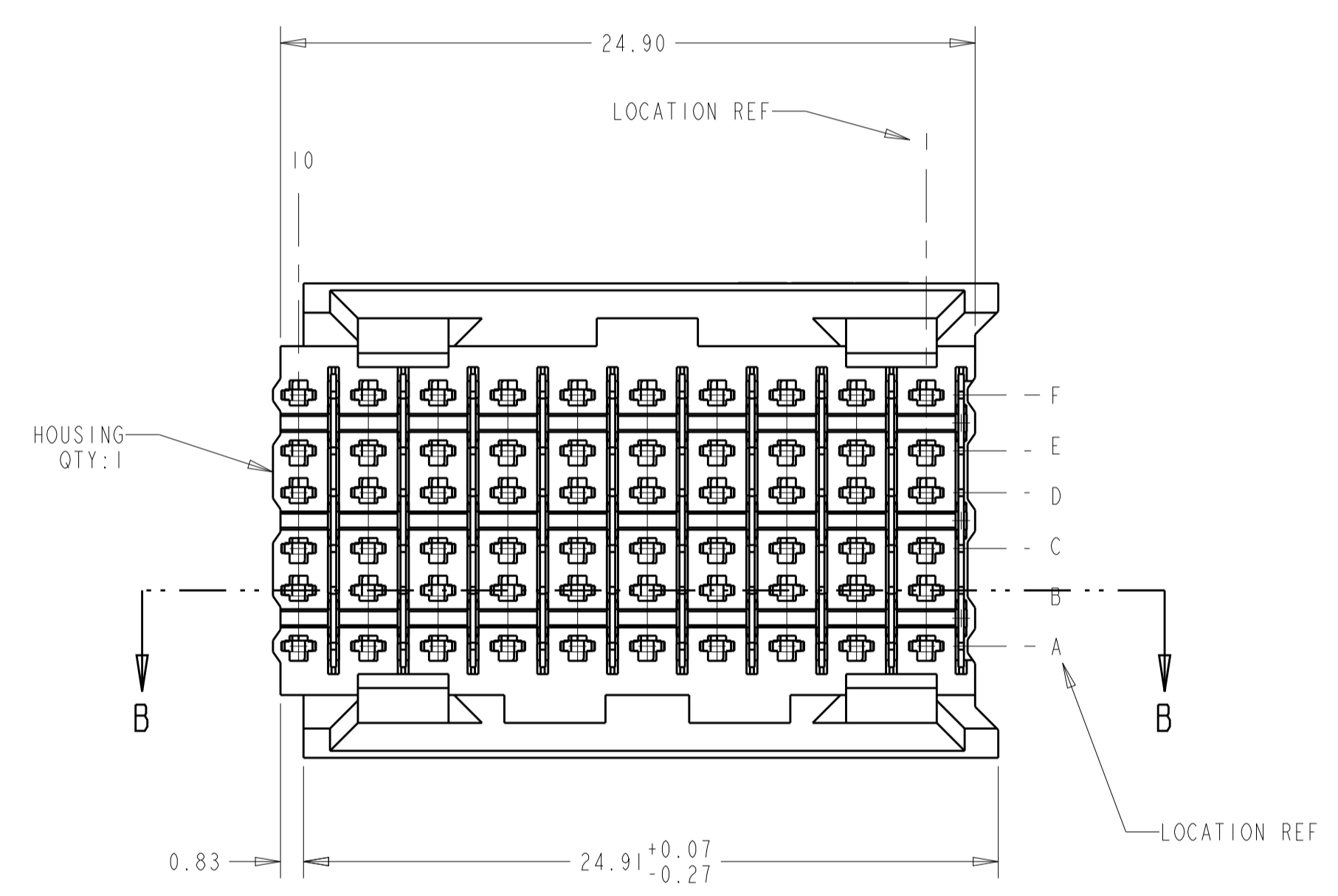


LOC	DIST	REV	DATE	BY	CHK	APPV
AD	00	B	23AUG2012	KH	JE	

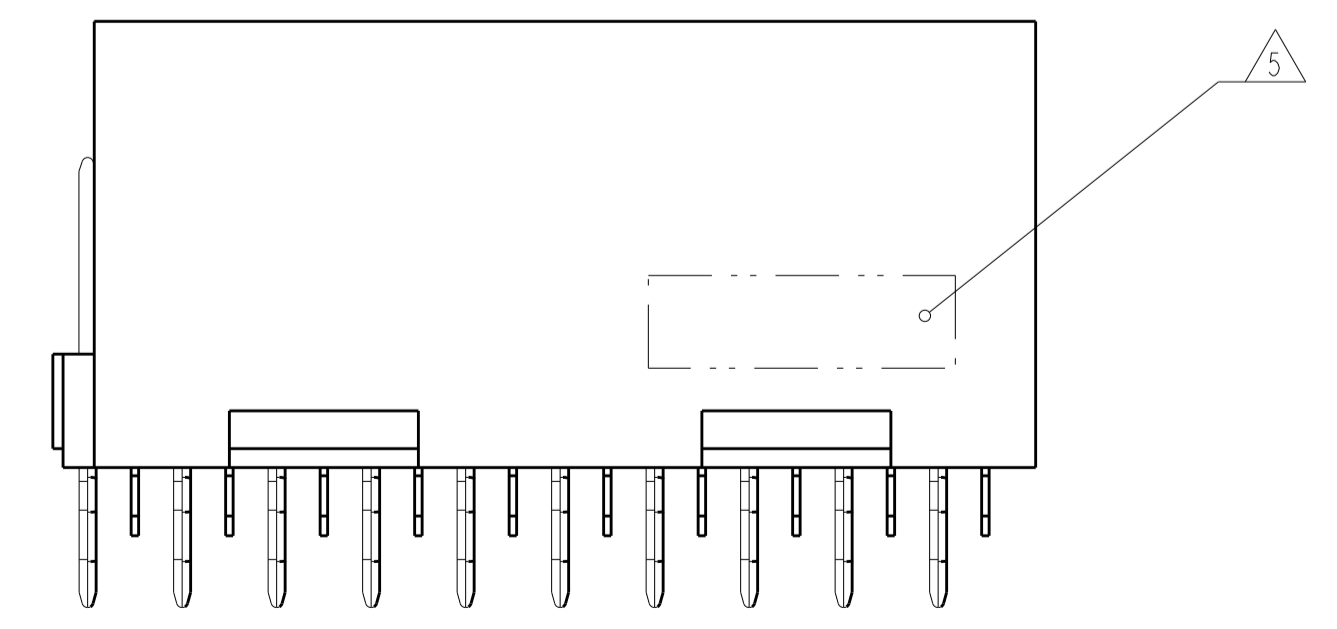
- 2 PHOSPHOR BRONZE
- 3 LCP, UL94V-0
- 4 FINISH:
CONTACT MATING AREA MEETS THE PERFORMANCE REQUIREMENTS OF
TE CONNECTIVITY PRODUCT SPECIFICATION 108-1957; BASED ON
TELCORDIA GR-1217-CORE; APPLICATIONS IN UNCONTROLLED ENVIRONMENTS.
COMPLIANT PIN AREA: 0.5µm MIN MATTE TIN OVER BASE PLATING.
- 5 CONNECTOR MARKED WITH PART NUMBER AND DATE CODE
- 6 REFERENCE APPLICATION SPEC 114-13020 FOR RECOMMENDED
PLATED THRU HOLE DIAMETER AND PLATING THICKNESS.
- 7 APPLICATION SEATING HEIGHT TO PRINTED CIRCUIT BOARD
- 8 DATUMS AND BASIC DIMENSIONS ESTABLISHED BY CUSTOMER
- 9 CONTACT AREA LUBRICATED WITH BELLCORE APPROVED LUBRICANT
TECHNICAL REFERENCE: GR-1217-CORE, ISSUE 1, NOVEMBER 1995



SECTION B-B



RECOMMENDED
PRINTED CIRCUIT BOARD
LAYOUT
COMPONENT SIDE OF PRINTED CIRCUIT BOARD



5.50	8.2	5120737-1
M	L	PART NUMBER

THIS DRAWING IS A CONTROLLED DOCUMENT.		DWN: B. CARBO 07DEC04	5.50 8.2 5120737-1	
DIMENSIONS:		CHK: R. PATTERSON 07DEC04	M L PART NUMBER	
TOLERANCES UNLESS OTHERWISE SPECIFIED:		APPV: R. PATTERSON 07DEC04	TE Connectivity	
mm	0 PLC ±	PRODUCT SPEC	NAME: HEADER ASSEMBLY, 60 POSITION, 6 ROW, BACKPLANE CONNECTOR, Z-PACK HS3	
	1 PLC ±	APPLICATION SPEC	SIZE: A1 CAGE CODE: 00779 DRAWING NO: 5120737	
	2 PLC ±0.13	RESTRICTED TO	SCALE: 5:1 SHEET 1 OF 1 REV B	
	3 PLC ±0.05			
	4 PLC ±			
	ANGLES ±			
MATERIAL:	FINISH:	WEIGHT:		
HOUSING: 3				
CONTACTS: 2	SIGNAL CONTACT: 4	CUSTOMER DRAWING		