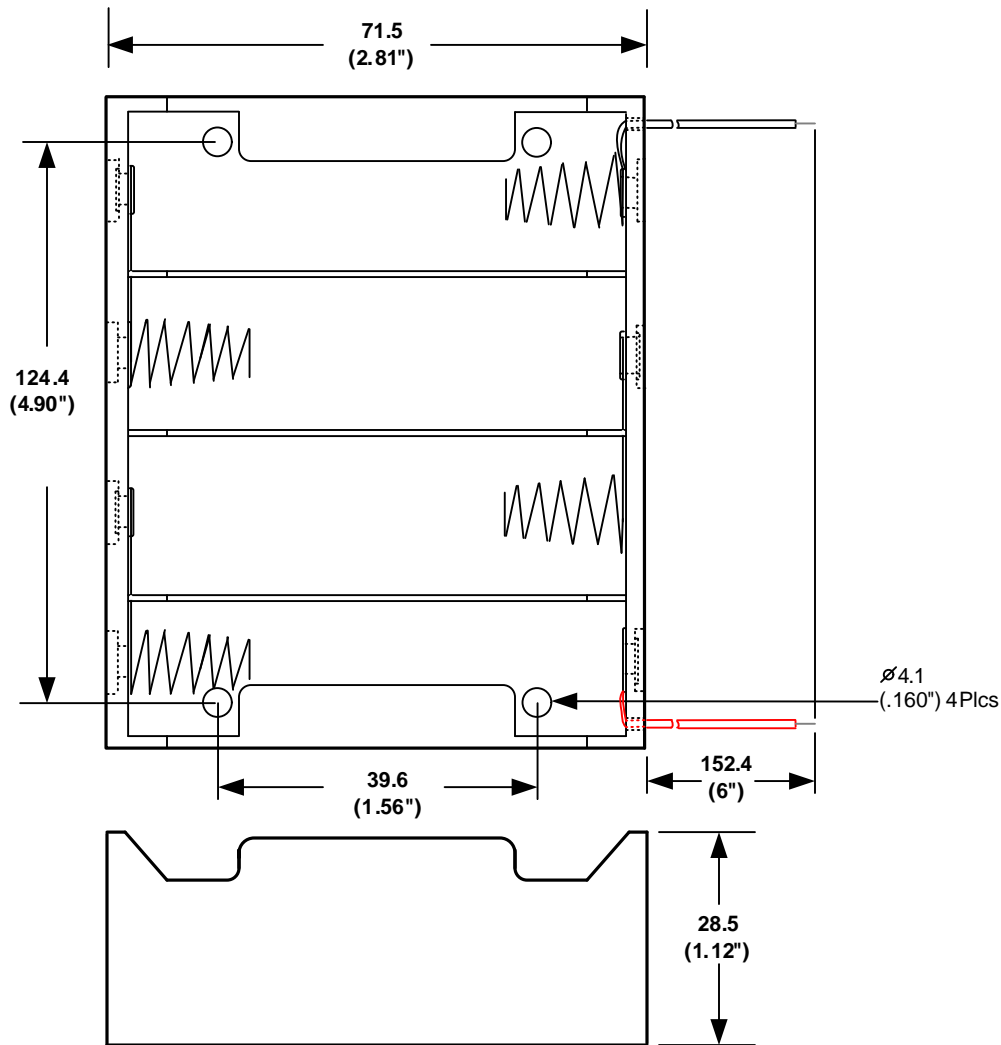
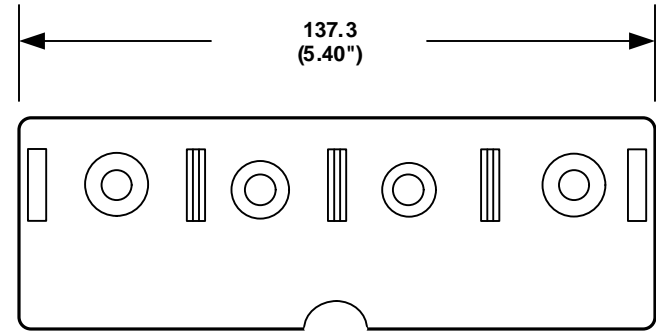


DATE	SYM	REVISION RECORD	AUTH	DR.	CK.
12/05/08	A	ADDED "ROHS COMPLIANT"	T.B.	B.S.	



ORDERING CODE BH4D

SOLDER LUGS	= L
(6") WIRE LEADS	= W
9VOLT TYPE SNAPS	= SF
BUMP PLATES	= B




SOLDER LUGS SHOWN ABOVE

**SPECIFICATIONS:**

Plastic material - polypropylene  
 Flammability rating-UL94 HB, UL file no. E216959  
 Temperature Range: -10°C to +100°C  
 Springs - nickel plated spring steel Wire - 152.4 mm Ref.Long 26 AWG, UL1007, CSA - TR-64, 300V, 80° C.  
 Rivets - Brass, nickel plated  
 9 Volts Snaps - Brass, nickel plated  
 Contact Resistance: Under 50mΩ for +/- contacts per EIA-540J000  
 ROHS COMPLIANT

**Note:** Dimensions in mm. ( inches )

TOLERANCES (EXCEPT AS NOTED)		 <b>Memory Protection Devices, Inc.</b> 200 Broad Hollow Road, Farmingdale, New York 11735	
DECIMAL			
+ .5 (.020")			APPROVED BY
FRACTIONAL	TITLE	FOUR "D" CELL HOLDER	
+ .8 (.030")			
ANGULAR	DATE	DRAWING NUMBER	
+ 3°	12/05/2008	BH4DW	