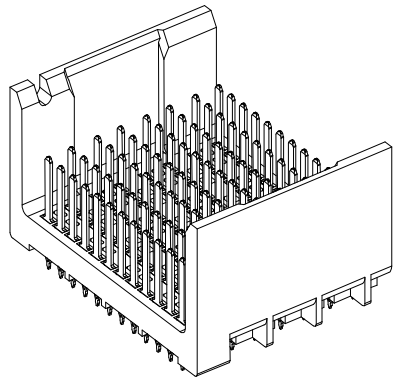


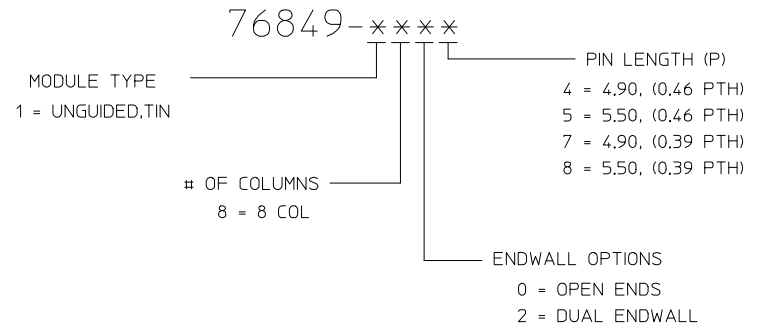
- NOTES:
- MATERIALS: HOUSING - LIQUID CRYSTAL POLYMER (LCP) GLASS-FILLED, UL94V-0
TERMINALS - HIGH PERFORMANCE COPPER ALLOY
 - FINISH: 30μ MIN GOLD IN CONTACT AREA.
SELECTIVE TIN OR TIN-LEAD ON PCB TAILS.
NICKEL OVERALL.
 - REFER TO MOLEX PRODUCT SPECIFICATION PS-76060-999 FOR PERFORMANCE SPECIFICATIONS AND ADDITIONAL PCB INFORMATION.
 - THIS PART CONFORMS TO CLASS B REQUIREMENTS OF MOLEX COSMETIC SPEC PS-45499-002.
 - PACKAGE PER: PK-70873-7706.
 - SEE SHEETS 2 & 3 FOR PART NUMBERS AND BOARD RELATIONSHIPS.
 - MATES WITH IMPACT DC SERIES NO. 76850.
 - REFER TO MOLEX PCB ROUTING GUIDE AS-76060-990 FOR ANTIPAD AND ROUTING RECOMMENDATIONS.

| | | | | | | | | |
|--|--------------------------------------|---------------------------------------|---|-----------------------------------|---------------------|---|----------------------------|--|
| INITIAL RELEASE EC NO: UCP2013-0902 DRWNG: VARVARA 2012/09/19 CHKD: JB INGHAM 2012/09/19 APPR: JB INGHAM 2012/09/24 | QUALITY SYMBOLS ∇=0 ∇=0 ∇=0 | GENERAL TOLERANCES (UNLESS SPECIFIED) | | DIMENSION STYLE MM ONLY | SCALE 4:1 | DESIGN UNITS METRIC | THIRD ANGLE PROJECTION | |
| | | 4 PLACES ± --- ± --- | 3 PLACES ± --- ± --- | DRAWN BY JMENDOZA | DATE 2010/04/01 | TITLE IMPACT ORTHO ROUTABLE 4 PAIR HEADER ASSEMBLY UNGUIDED SALES DRAWING | | |
| | | 2 PLACES ± 0.13 ± --- | 1 PLACE ± 0.25 ± --- | CHECKED BY JB INGHAM | DATE 2010/04/01 | MOLEX MOLEX INCORPORATED | | |
| | | ANGULAR ±1/2° | | APPROVED BY JB INGHAM | DATE 2012/09/24 | DOCUMENT NO. SD-76849-0001 | SHEET NO. 1 OF 3 | |
| DRAFT WHERE APPLICABLE MUST REMAIN WITHIN DIMENSIONS | | SIZE C | THIS DRAWING CONTAINS INFORMATION THAT IS PROPRIETARY TO MOLEX INCORPORATED AND SHOULD NOT BE USED WITHOUT WRITTEN PERMISSION | | | | | |

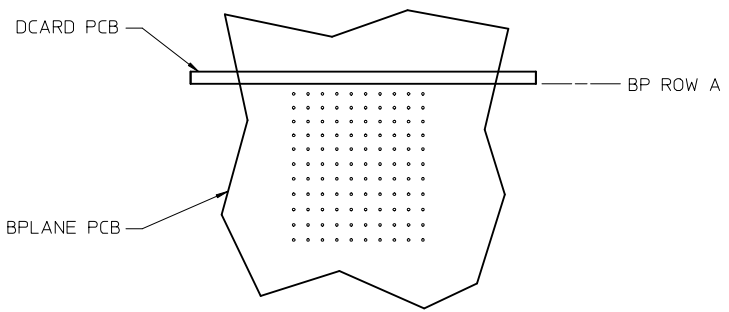
| MATERIAL NUMBER | # OF COLUMNS | # OF DIFF PAIR | DIM "A" | DIM "B" | MODULE TYPE |
|-----------------|--------------|----------------|---------|---------|--------------|
| 76849-182* | 8 | 32 | 18.9 | 14.05 | DUAL ENDWALL |
| 76849-180* | 8 | 32 | 16.1 | 14.05 | OPEN ENDED |
| | | | | | |



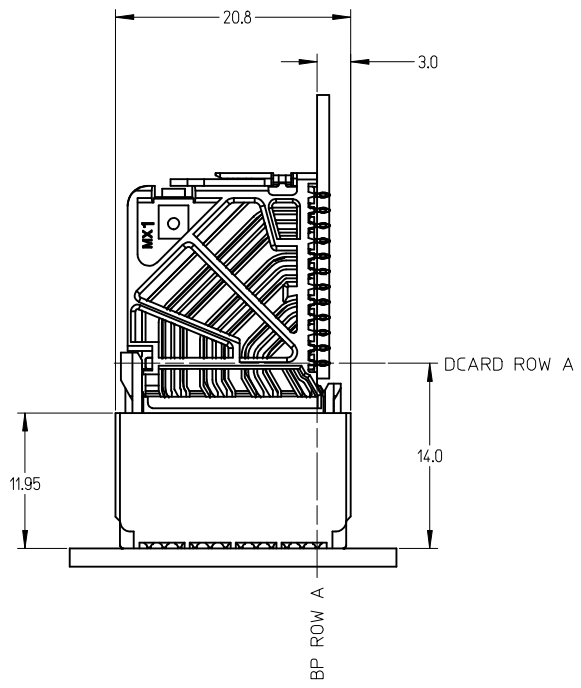
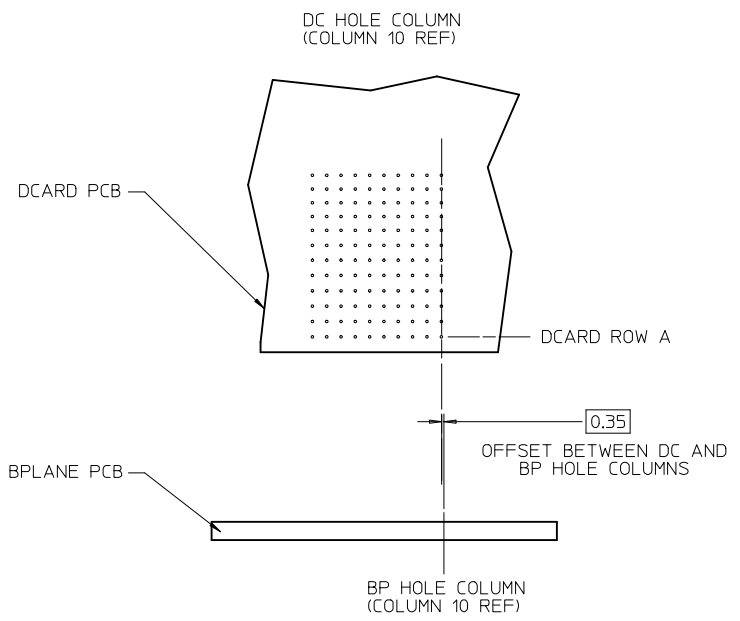
OPEN END OPTION



| SEE SHEET 1 EC NO: UCP2013-0902 DRWNG: DRWNG: 2012/09/19 CHKD: JB INGHAM 2012/09/19 APPR: JB INGHAM 2012/09/24 | DESCRIPTION REV A | QUALITY SYMBOLS | GENERAL TOLERANCES (UNLESS SPECIFIED) | DIMENSION STYLE MM ONLY | SCALE 4:1 | DESIGN UNITS METRIC | THIRD ANGLE PROJECTION | | | | | | | | | | | | | | | | | | | | | | | | | | | |
|--|-------------------------|-----------------|---|-----------------------------------|---------------------|------------------------|------------------------|-------|-------|----------|-------|-------|----------|--------|-------|---------|--------|-------|--|----------|------|----------|------------|------------|------|-----------|------------|-------------|------|-----------|------------|--|--|--|
| | | | <table border="1"> <thead> <tr> <th></th> <th>mm</th> <th>INCH</th> </tr> </thead> <tbody> <tr> <td>4 PLACES</td> <td>± ---</td> <td>± ---</td> </tr> <tr> <td>3 PLACES</td> <td>± ---</td> <td>± ---</td> </tr> <tr> <td>2 PLACES</td> <td>± 0.13</td> <td>± ---</td> </tr> <tr> <td>1 PLACE</td> <td>± 0.25</td> <td>± ---</td> </tr> </tbody> </table> | | mm | INCH | 4 PLACES | ± --- | ± --- | 3 PLACES | ± --- | ± --- | 2 PLACES | ± 0.13 | ± --- | 1 PLACE | ± 0.25 | ± --- | <table border="1"> <thead> <tr> <th>DRAWN BY</th> <th>DATE</th> </tr> </thead> <tbody> <tr> <td>JMENDOZA</td> <td>2010/04/01</td> </tr> <tr> <th>CHECKED BY</th> <th>DATE</th> </tr> <tr> <td>JB INGHAM</td> <td>2010/04/01</td> </tr> <tr> <th>APPROVED BY</th> <th>DATE</th> </tr> <tr> <td>JB INGHAM</td> <td>2012/09/24</td> </tr> </tbody> </table> | DRAWN BY | DATE | JMENDOZA | 2010/04/01 | CHECKED BY | DATE | JB INGHAM | 2010/04/01 | APPROVED BY | DATE | JB INGHAM | 2012/09/24 | IMPACT ORTHO ROUTABLE 4 PAIR HEADER ASSEMBLY UNGUIDED SALES DRAWING | | |
| | | | mm | INCH | | | | | | | | | | | | | | | | | | | | | | | | | | | | | | |
| | | 4 PLACES | ± --- | ± --- | | | | | | | | | | | | | | | | | | | | | | | | | | | | | | |
| 3 PLACES | ± --- | ± --- | | | | | | | | | | | | | | | | | | | | | | | | | | | | | | | | |
| 2 PLACES | ± 0.13 | ± --- | | | | | | | | | | | | | | | | | | | | | | | | | | | | | | | | |
| 1 PLACE | ± 0.25 | ± --- | | | | | | | | | | | | | | | | | | | | | | | | | | | | | | | | |
| DRAWN BY | DATE | | | | | | | | | | | | | | | | | | | | | | | | | | | | | | | | | |
| JMENDOZA | 2010/04/01 | | | | | | | | | | | | | | | | | | | | | | | | | | | | | | | | | |
| CHECKED BY | DATE | | | | | | | | | | | | | | | | | | | | | | | | | | | | | | | | | |
| JB INGHAM | 2010/04/01 | | | | | | | | | | | | | | | | | | | | | | | | | | | | | | | | | |
| APPROVED BY | DATE | | | | | | | | | | | | | | | | | | | | | | | | | | | | | | | | | |
| JB INGHAM | 2012/09/24 | | | | | | | | | | | | | | | | | | | | | | | | | | | | | | | | | |
| DRAFT WHERE APPLICABLE MUST REMAIN WITHIN DIMENSIONS | | | MATERIAL NO. SEE CHART | DOCUMENT NO. SD-76849-0001 | SHEET NO. 2 OF 3 | | | | | | | | | | | | | | | | | | | | | | | | | | | | | |



IMPACT ORTHO 4 PAIR
BOARD RELATIONSHIPS



| SEE SHEET 1 EC NO: UCP2013-0902 DRWNG: DVARVARA 2012/09/19 CHKD: JB INGHAM 2012/09/19 APPR: JB INGHAM 2012/09/24 | QUALITY SYMBOLS $\nabla = 0$ $\nabla = 0$ $\nabla = 0$ | GENERAL TOLERANCES (UNLESS SPECIFIED) <table border="1"> <tr> <th></th> <th>mm</th> <th>INCH</th> </tr> <tr> <td>4 PLACES</td> <td>± 0.25</td> <td>± 0.010</td> </tr> <tr> <td>3 PLACES</td> <td>± 0.20</td> <td>± 0.008</td> </tr> <tr> <td>2 PLACES</td> <td>± 0.13</td> <td>± 0.005</td> </tr> <tr> <td>1 PLACE</td> <td>± 0.25</td> <td>± 0.010</td> </tr> </table> | | mm | INCH | 4 PLACES | ± 0.25 | ± 0.010 | 3 PLACES | ± 0.20 | ± 0.008 | 2 PLACES | ± 0.13 | ± 0.005 | 1 PLACE | ± 0.25 | ± 0.010 | DIMENSION STYLE MM ONLY DRAWN BY: JMENDOZA DATE: 2010/04/01 CHECKED BY: JB INGHAM DATE: 2010/04/01 APPROVED BY: JB INGHAM DATE: 2012/09/24 | SCALE: 3:1 DESIGN UNITS: METRIC THIRD ANGLE PROJECTION | TITLE: IMPACT ORTHO ROUTABLE 4 PAIR HEADER ASSEMBLY UNGUIDED SALES DRAWING MOLEX INCORPORATED |
|---|---|--|----------------------------|------------------|------|----------|------------|-------------|----------|------------|-------------|----------|------------|-------------|---------|------------|-------------|---|--|--|
| | | mm | INCH | | | | | | | | | | | | | | | | | |
| | 4 PLACES | ± 0.25 | ± 0.010 | | | | | | | | | | | | | | | | | |
| | 3 PLACES | ± 0.20 | ± 0.008 | | | | | | | | | | | | | | | | | |
| 2 PLACES | ± 0.13 | ± 0.005 | | | | | | | | | | | | | | | | | | |
| 1 PLACE | ± 0.25 | ± 0.010 | | | | | | | | | | | | | | | | | | |
| MATERIAL NO. | DRAFT WHERE APPLICABLE MUST REMAIN WITHIN DIMENSIONS | SEE CHART | DOCUMENT NO. SD-76849-0001 | SHEET NO. 3 OF 3 | | | | | | | | | | | | | | | | |
| SIZE: C | THIS DRAWING CONTAINS INFORMATION THAT IS PROPRIETARY TO MOLEX INCORPORATED AND SHOULD NOT BE USED WITHOUT WRITTEN PERMISSION | | | | | | | | | | | | | | | | | | | |
| REV: A | DESCRIPTION: | | | | | | | | | | | | | | | | | | | |