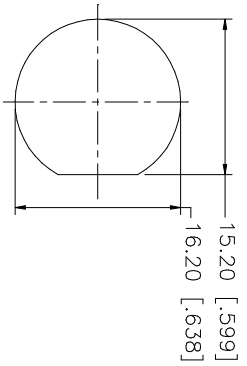
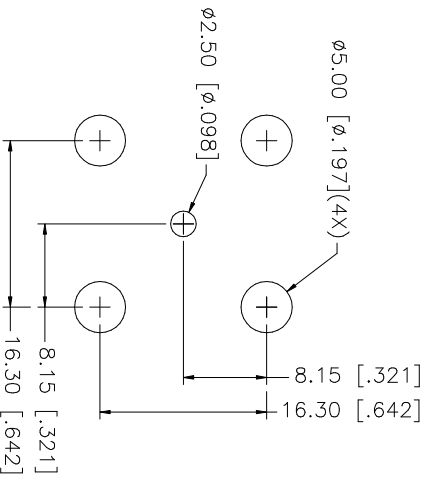


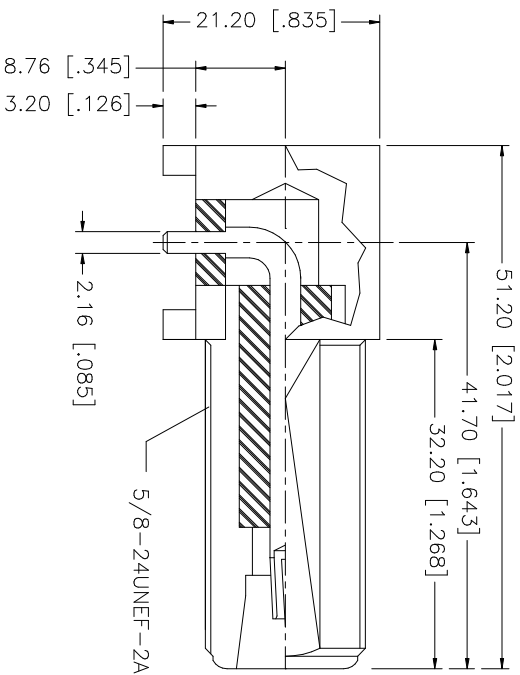
REV.	DATE	DESCRIPTION
A	01/30/04	UPDATE DRAWING FORMAT
B	06/29/06	REVISE PLATING TO BRIGHT TIN



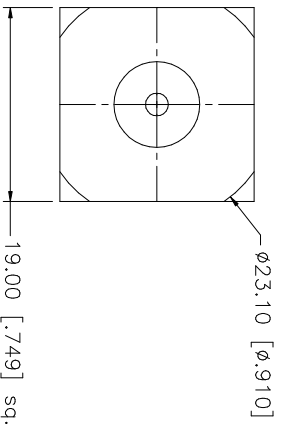
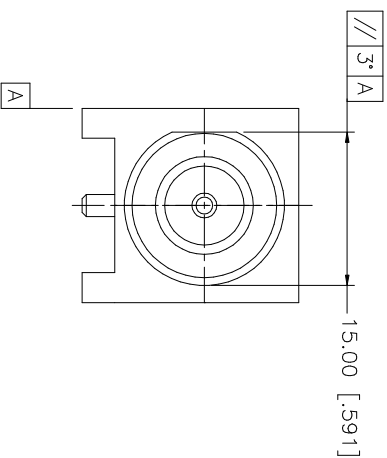
RECOMMENDED MOUNTING HOLE



RECOMMENDED P.C.B. MOUNTING HOLES



5/8-24UNEF-2A



sq.

QTY	DESCRIPTION	MATERIAL	FINISH	UNIT	UNIT PRICE	TOTAL PRICE
1	CONTACT PIN	BER. COPPER	GOLD			
2	INSULATOR BODY	TEFLON BRASS	NATURAL BRT. TIN			

UNLESS OTHERWISE SPECIFIED DIMENSIONS ARE IN MILLIMETERS DIMENSIONS IN [] ARE IN INCHES AND FOR CUSTOMER REFERENCE ONLY.	UNLESS OTHERWISE SPECIFIED TOLERANCES FOR MILLIMETERS ARE:	UNLESS OTHERWISE SPECIFIED TOLERANCES FOR INCHES ARE:
0.5 - 8mm ± 0.20mm	0.5 - 8mm ± 0.007"	.020 - .315 = ± 0.007"
8 - 30mm ± 0.40mm	8 - 30mm ± 0.015"	.315 - 1.180 = ± 0.015"
30 - 120mm ± 0.50mm	30 - 120mm ± 0.020"	1.180 - 4.724 = ± 0.020"

APPROVALS	DATE	PART DESCRIPTION
DRAWN G.R.S.	06/29/06	N RIGHT ANGLE JACK
CHECKED		
ISSUED		
SHEET 1 OF 1		

CAD FILE	DWG. NO.	REV.	SIZE	SCALE
C:/172/172234.DWG	172234.DWG	B	A	NA

Amphenol Connex

172234