



APPROVAL SHEET

Customer Name .: _____

Model Name.: HEATSINK

Delta Part No.: DHS-B9090-44

Customer Part No.: _____

Spec Issue Date .: 2011/10/19

Spec Revision : 00

PLEASE SEND ONE COPY OF THIS SPECIFICATION BACK AFTER YOU
SIGNED APPROVAL FOR PRODUCTION PRE-ARRANGMENT.

Approved By: _____

Date: _____

Approval	Check	Designer
<i>Charles. Chen</i>	<i>Charles. Chen</i>	<i>Sheila. Hu</i>



Delta Electronics Corp.

REV.	Description	Drawn	Checked	Approved	Issue Date
00	ISSUE SPEC	Sheila.Hu 10/19'11	Charles.Chen 10/19'11	Charles.Chen 10/19'11	
Description: SAMPLE REVISION CODE LIST					
Part No.					REV
DELTA MODEL : DHS-B9090-44			TOTAL <u>10</u> PAGE		00



Delta Electronics Corp.

CONTENTS

Item	Element Description	Page	Note
1	Specification	4	
2	Print	5	
3	Packing Plan	8	



Delta Electronics Corp.

1. SPECIFICATION

1.1. Characters

Item	Description
Scope	THIS SPECIFICATION DEFINES MECHANICAL CHARACTERISTICS OF THE HEATSINK
Application	INTEL LGA1366 CPU HEATSINK
Specification	
a: Thermal Resistance	0.268 (°C/W) (REF.)
b: total weight	375 g (REF.)
c: clip force	35 lbf (REF.)

1.2. BOM

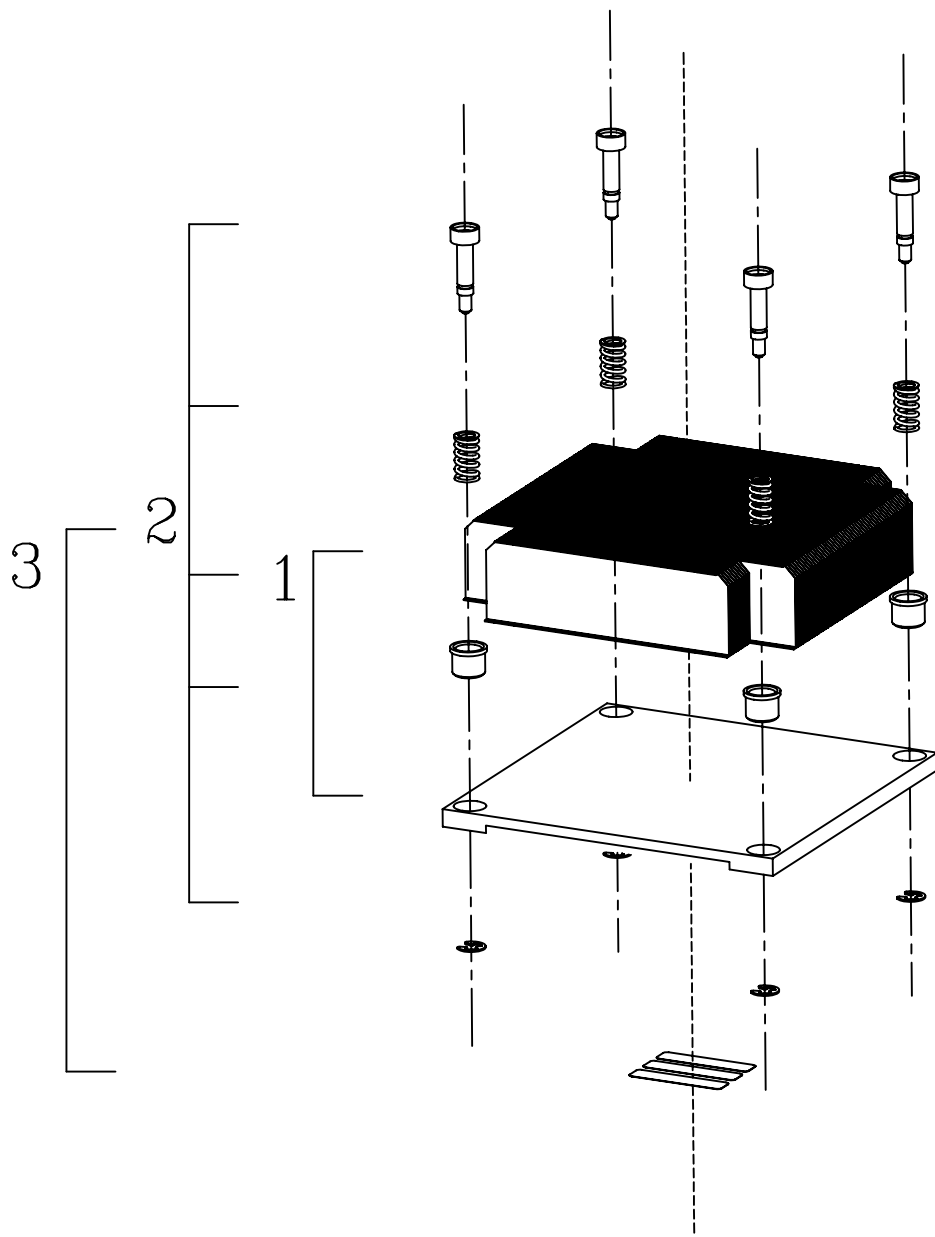
Item	Part Name	Material	Part NO.	Q'TY	Remark
1	FIN	AL1050	3346397700	1 PCE	
2	CU BASE	CU1100	3346841600	1 PCE	
3	CAP	SUS 303	3462384700	4 PCE	
4	SCREW	SUS 410	3105464700	4 PCE	
5	SPRING	MUSIC WIRE	3461809700	4 PCE	
6	E CLIP	S20C or S50C	3110262800	4 PCE	
7	GREASE	TC-1996	4021101500	0.308GRM	
8	AIR BUBBLE	PE	3522008500	0.125 PCE	
9	CARTON	PAPER	3513685100	0.042PCE	
10	PAD PAPER	PAPER	3516257800	0.167PCE	
11	TRAY	PET	3503113700	0.125 PCE	



Delta Electronics Corp.

2. PRINT

2.1. Assembly Drawing



SCREW (4X)
3105464700

SPRING(4X)
3461809700

FIN ASSY
3346397700

CAP(4X)
3462384700

CU BASE
3346841600

E CLIP(4X)
3110262800

TC-1996
4021101500



台達電子工業股份有限公司
DELTA ELECTRONICS, INC.

DELTA MODEL:
DHS-B9090-44

Drawn:
Sheila

THESE DRAWINGS AND SPECIFICATIONS ARE THE PROPERTY OF DELTA ELECTRONICS, INC. AND SHALL NOT BE REPRODUCED OR USED AS THE BASIS FOR THE MANUFACTURE OR SELL OF APPARATUSES OR DEVICES WITHOUT PERMISSION.

CUSTOMER NAME: STD

CUSTOMER P/N: ---

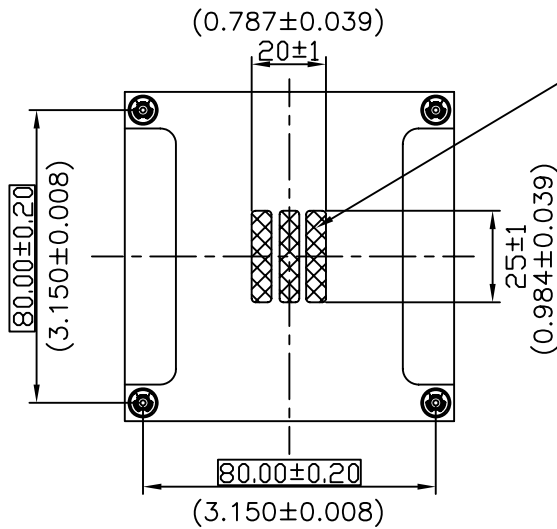
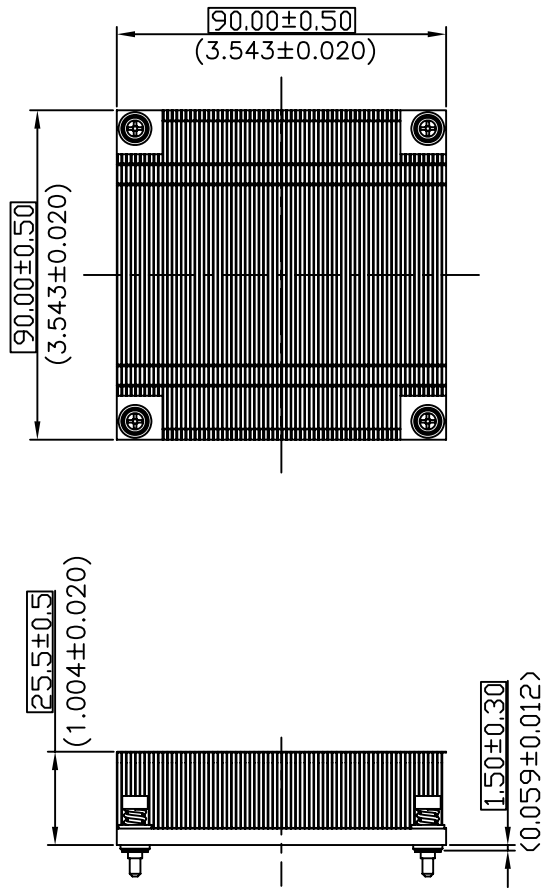
DIMENSIONAL TOLERANCES		HOLES: ±0.05 ANGLES: ±0.5°							
()	()	()	()	()	()				
<30	±0.25	DECIMALS	UP-100	±0.2	250-300	±0.4	UP-600	±1.5	
>30-100	±0.35	X	±0.3	100-150	±0.25	300-350	±0.45	600-900	±2.4
>100-300	±0.5	XX	±0.2	150-200	±0.3	350-400	±0.5	900-OVER	±3.1
ABOVE 300	±0.6	X.XX	±0.1	200-250	±0.35				

THIRD ANGLE PROJECTION
Description: PRODUCTION SPEC. (ASSEMBLY ORDER)

A4 Part No. DHS-B9090-44-AS REV. 00

SCALE --- UNIT --- USED ON COOLER SHEET 1 OF 1 ISSUE DATE:

DRAWING:



Dow Corning TC-1996 P/N:4021101500

*STENCIL THICKNESS=0.20(TYP.) 0.22(MAX.)

TIM WEIGHT ON HSK MUST BE 250mg±30mg

UNIT: $\frac{\text{mm}}{\text{INCH}}$



台達電子工業股份有限公司
DELTA ELECTRONICS, INC.

DELTA MODEL: DHS-B9090-44	Drawn: Sheila
------------------------------	------------------

THESE DRAWINGS AND SPECIFICATIONS ARE THE PROPERTY OF DELTA ELECTRONICS, INC. AND SHALL NOT BE REPRODUCED OR USED AS THE BASIS FOR THE MANUFACTURE OR SELL OF APPARATUSES OR DEVICES WITHOUT PERMISSION.

CUSTOMER NAME:	STD
CUSTOMER P/N:	---

DIMENSIONAL TOLERANCES		HOLES: ±0.05		ANGLES: ±0.5°					
()	()	()	()	()	()				
<30	:±0.25	DECIMALS	UP-100	:±0.2	250-300	:±0.4	UP-600	:±1.5	
>30-100	:±0.35	X	:±0.3	100-150	:±0.25	300-350	:±0.45	600-900	:±2.4
>100-300	:±0.5	X.X	:±0.2	150-200	:±0.3	350-400	:±0.5	900-OVER	:±3.1
ABOVE 300	:±0.6	X.XX	:±0.1	200-250	:±0.35				

A4 SIZE	Description: PRODUCTION SPEC. (PHYSICAL DIMENSION)	REV.
	Part No. DHS-B9090-44-PD	00

SCALE	---	UNIT	---	USED ON	COOLER
-------	-----	------	-----	---------	--------

SHEET	1	OF	1	ISSUE DATE:	
-------	---	----	---	-------------	--



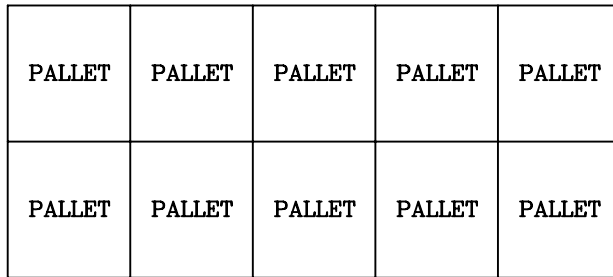
3. PACKING PLAN

Packing Specification

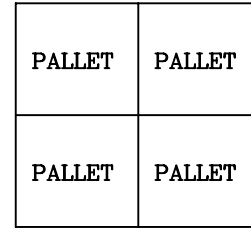
PART NO.	DHS-B9090-44		
BASIC DATA	QUANTITY/CARTON	24PCS (3 LAYERS/CARTON, 8PCS/LAYER)	
	PRODUCTION NET WEIGHT	9.0kg (REF.)	
	PRODUCTION GROSS WEIGHT	10.6kg (REF.)	
20(ft)CONTAINER ILLUSTRATE	SIZE	5.889(L)*2.352(w)*2.386(H)m	PACKING QUANTITY
	CONTAINER	STEEL	20PALLET/CONTAINER

CONTAINER FORM

CONTAINER LOADING METHOD



TOP VIEW

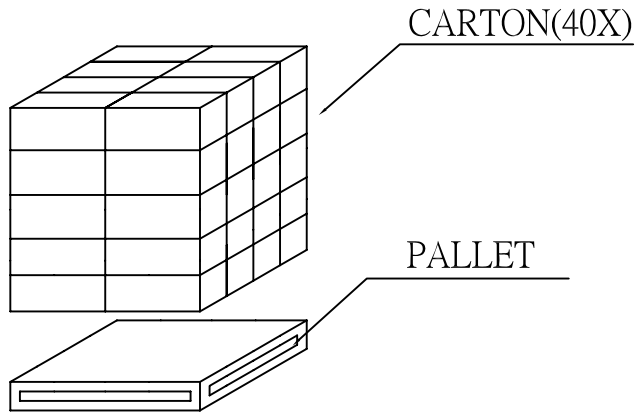


FRONT VIEW

PALLET LOADING ILLUSTRATE	SIZE	117(L)*107(w)*11(H)cm	PACKING QUANTITY	40 CARTONS/PALLET
	PALLET	PLYWOOD		

PALLET ILLUSTRATE

PALLET LOADING METHOD




 **台達電子工業股份有限公司**
DELTA ELECTRONICS, INC.

DELTA MODEL: DHS-B9090-44	Drawn: Sheila
------------------------------	------------------

THESE DRAWINGS AND SPECIFICATIONS ARE THE PROPERTY OF DELTA ELECTRONICS, INC. AND SHALL NOT BE REPRODUCED OR USED AS THE BASIS FOR THE MANUFACTURE OR SELL OF APPARATUSES OR DEVICES WITHOUT PERMISSION.

CUSTOMER NAME:	STD
CUSTOMER P/N:	---

DIMENSIONAL TOLERANCES		HOLES : ±0.05 ANGLES : ±0.5°	
()	()	()	()
<30	±0.25	DECIMALS	UP-100 ±0.2
>30-100	±0.35	X ±0.3	100-150 ±0.25
>100-300	±0.5	XX ±0.2	150-200 ±0.3
ABOVE 300	±0.6	XXX ±0.1	200-250 ±0.35
			250-300 ±0.4
			300-350 ±0.45
			350-400 ±0.5
			400-600 ±1.5
			600-900 ±2.4
			900-OVER ±3.1

 THIRD ANGLE PROJECTION A4 SIZE	Description: PRODUCTION SPEC. (PACKING ASSMEBLY)	REV.
	Part No. DHS-B9090-44-PA	00

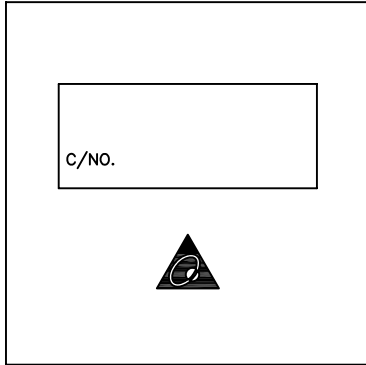
SCALE	---	UNIT	---	USED ON	COOLER
-------	-----	------	-----	---------	--------

SHEET 1 OF 2	ISSUE DATE:
--------------	-------------

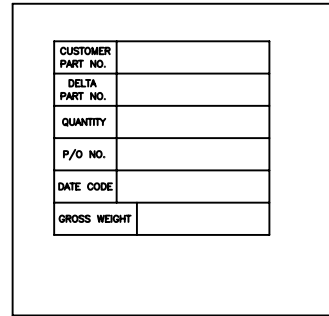
CARTON ILLUSTRATE	SIZE	498(L)*298(w)*166(H)(mm)	PACKING QUANTITY	3LAYERS/CARTON
	MATERIAL	3 LAYERS"AB" FLUTE	CARTON WEIGHT	0.8 kg (REF.)

CARTON OUTSIDE ILLUSTRATE

FRONT

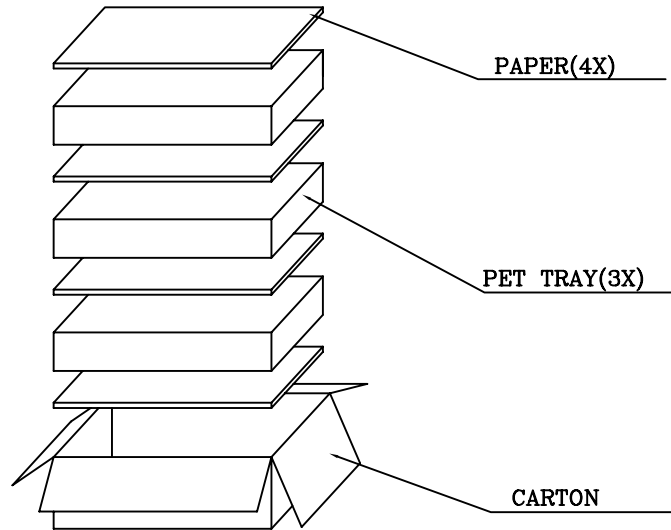


BACK



(ONE LABEL PER CARTON)

PET TRAY PACKING ILLUSTRATE	SIZE	490(L)*290(w)*41(H)(mm)	PACKING QUANTITY	8PCS/PET TRAY
	MATERIAL	PET TRAY		
	MATERIAL WEIGHT	170g (REF.)		



台達電子工業股份有限公司
DELTA ELECTRONICS, INC.

DELTA MODEL:
DHS-B9090-44

Drawn:
Sheila

THESE DRAWINGS AND SPECIFICATIONS ARE THE PROPERTY OF DELTA ELECTRONICS, INC. AND SHALL NOT BE REPRODUCED OR USED AS THE BASIS FOR THE MANUFACTURE OR SELL OF APPARATUSES OR DEVICES WITHOUT PERMISSION.

CUSTOMER NAME: STD

CUSTOMER P/N: ---

DIMENSIONAL TOLERANCES		HOLES : ±0.05		ANGLES : ±0.5°					
()	()	()	()	()	()				
<30	±0.25	DECIMALS	UP-100	±0.2	250-300	±0.4	UP-600	±1.5	
>30-100	±0.35	X	±0.3	100-150	±0.25	300-350	±0.45	600-900	±2.4
>100-300	±0.5	XX	±0.2	150-200	±0.3	350-400	±0.5	900-OVER	±3.1
ABOVE 300	±0.6	XXX	±0.1	200-250	±0.35				



Description: PRODUCTION SPEC.

A4

Part No. DHS-B9090-44-PA

REV.

00

SCALE --- UNIT --- USED ON COOLER

SIZE SHEET 2 OF 2 ISSUE DATE: