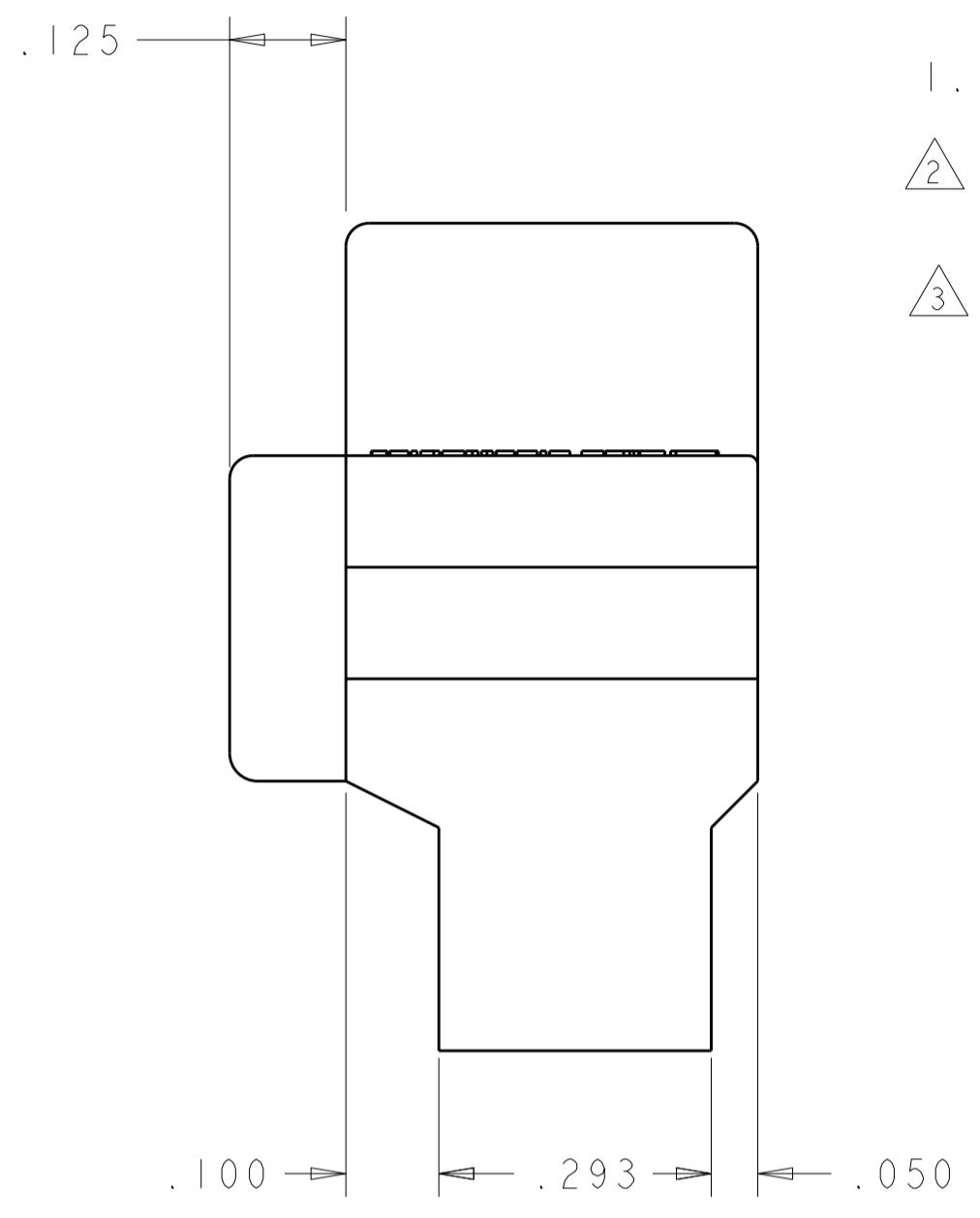
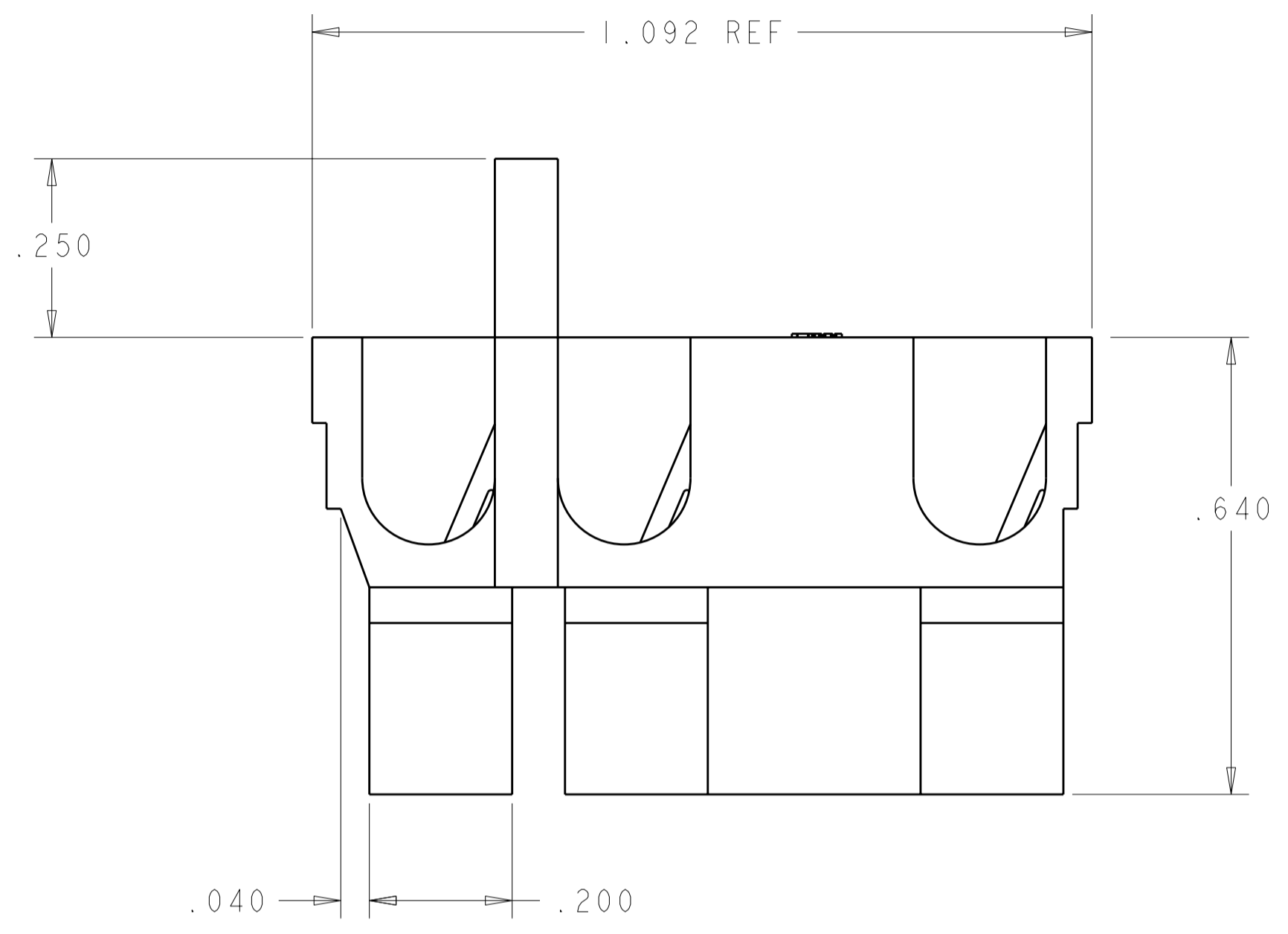
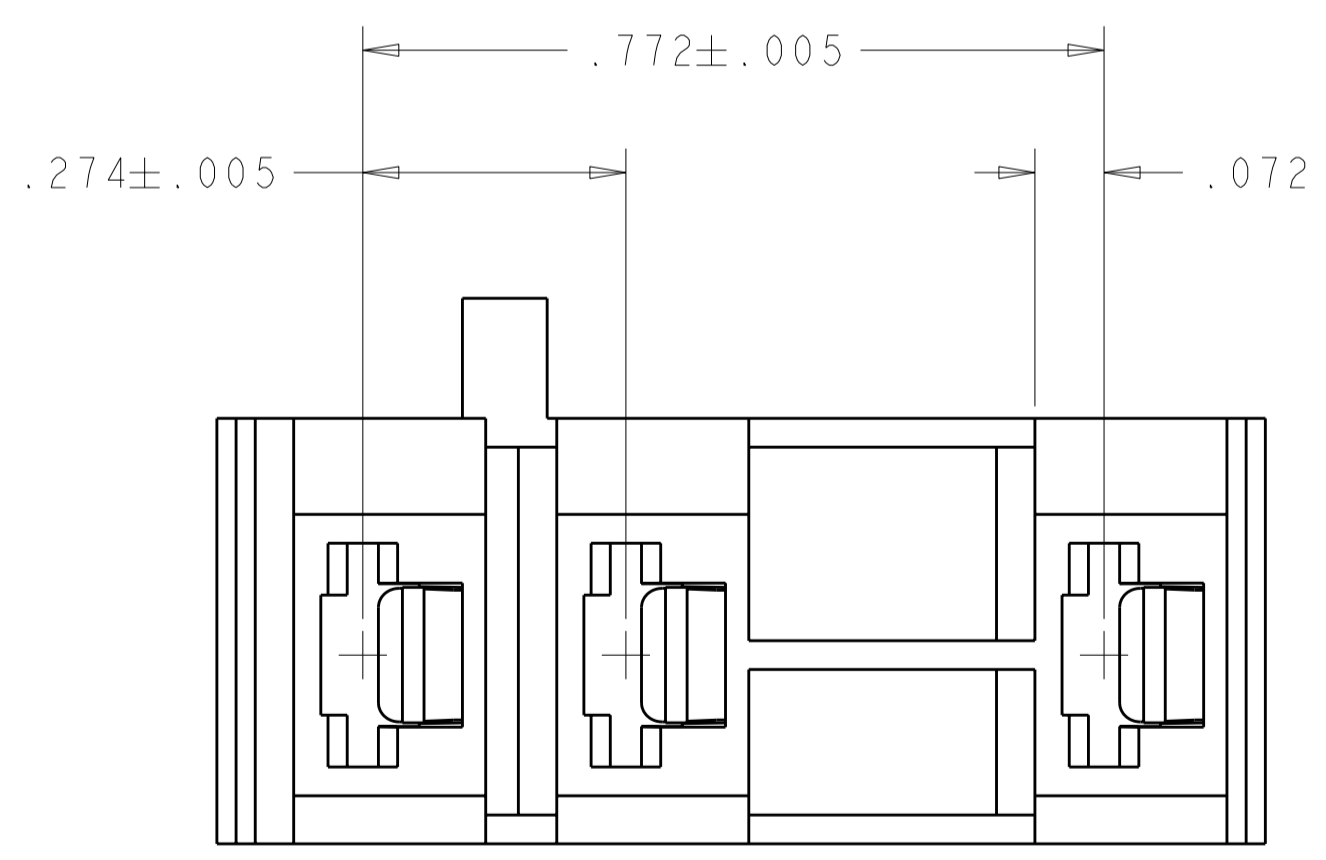
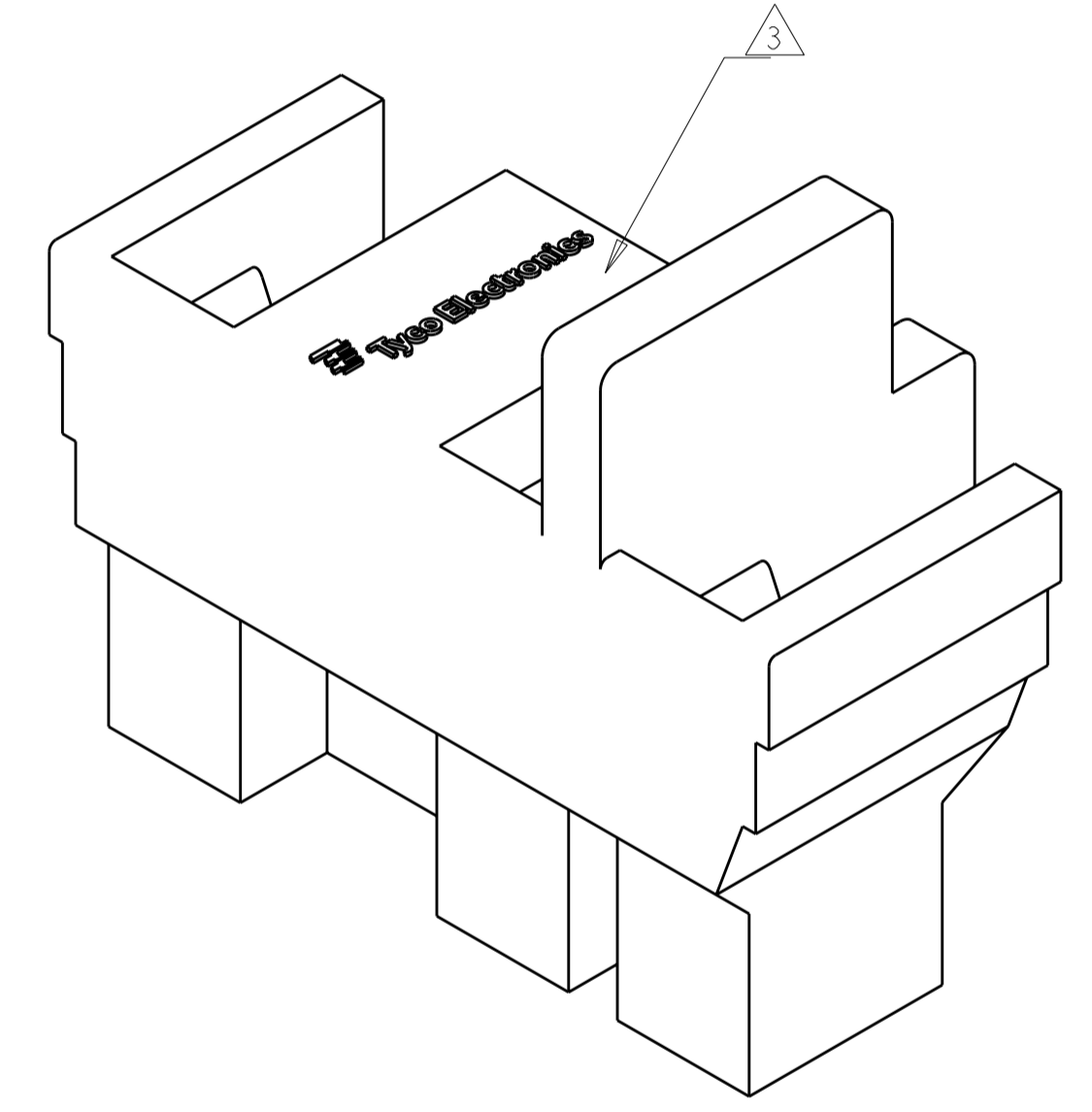


THIS DRAWING IS UNPUBLISHED. RELEASED FOR PUBLICATION 20  
 © COPYRIGHT 20 BY TYCO ELECTRONICS CORPORATION. ALL RIGHTS RESERVED.

LOC	DIST	REVISIONS			
P	LTR	DESCRIPTION	DATE	DWN	APVD
AF	50	A1	REVISED PER ECR-09-015858	20JUL2009	HMR PD



- 1. MINIMUM TAB LENGTH .325
- 2. GLOW WIRE APPROVED MATERIAL, CONTACT TE ENGINEERING FOR SPECIFICATIONS
- 3. MATERIAL SYMBOL APPROX LOCATION AS SHOWN



NATURAL	6 NYLON, V-2	521787-2
NATURAL	NYLON 66, V0	521787-1
COLOR	MATERIAL	PART NUMBER

THIS DRAWING IS A CONTROLLED DOCUMENT FOR TYCO ELECTRONICS CORPORATION. IT IS SUBJECT TO CHANGE AND THE CONTROLLING ENGINEERING ORGANIZATION SHOULD BE CONTACTED FOR THE LATEST REVISION.		DWN R FLAIG 09FEB2005	Tyco Electronics Harrisburg, PA 17105-3608	
DIMENSIONS: INCHES		CHK P. DESANTIS 09FEB2005	NAME HOUSING, RECEP, FLAG, FASTON, .187 SERIES	
TOLERANCES UNLESS OTHERWISE SPECIFIED: 0 PLC ± 1 PLC ± 2 PLC ± 3 PLC ±.010 4 PLC ± ANGLES ±2° FINISH		APVD P. DESANTIS 09FEB2005	PRODUCT SPEC -	RESTRICTED TO -
MATERIAL -		APPLICATION SPEC -	WEIGHT -	SIZE A2
CUSTOMER DRAWING		SCALE 5:1	CAGE CODE 00779	DRAWING NO 521787