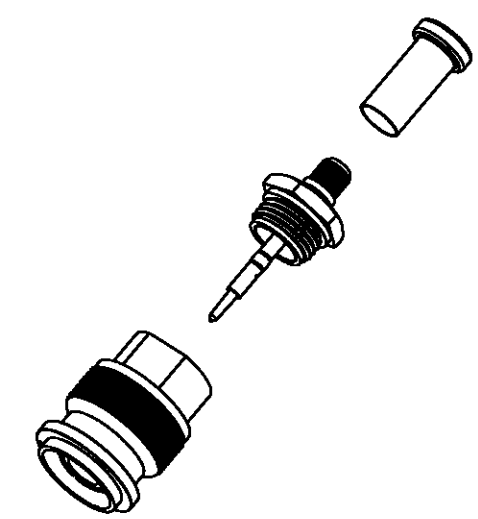
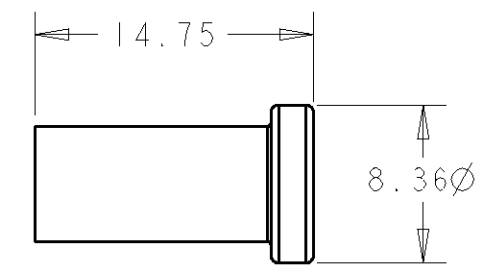
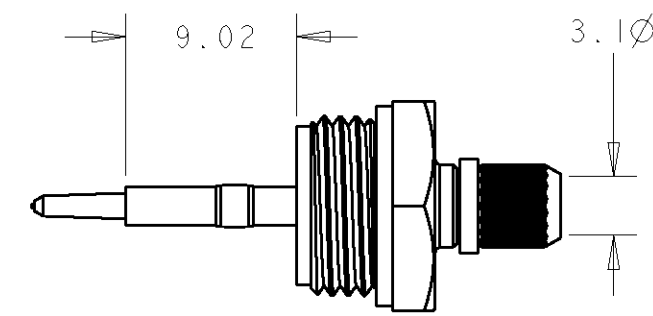
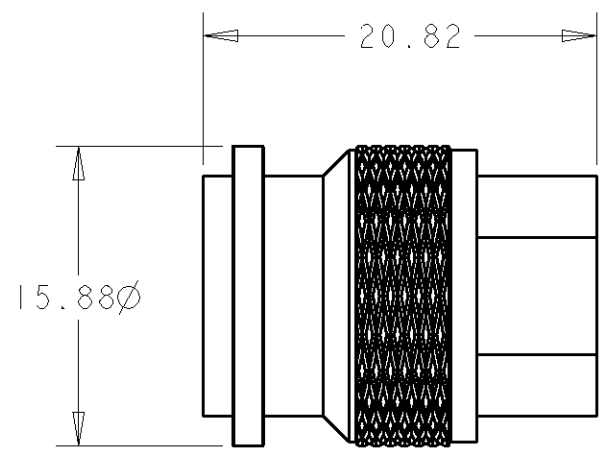
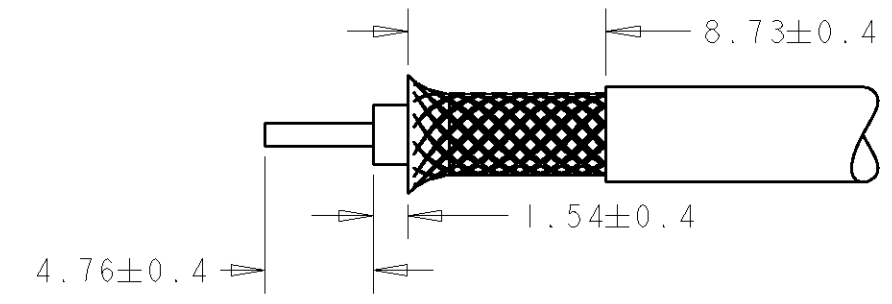


THIS DRAWING IS UNPUBLISHED. RELEASED FOR PUBLICATION 20  
 © COPYRIGHT 20 BY TYCO ELECTRONICS CORPORATION. ALL RIGHTS RESERVED.

LOC	DIST	REVISIONS				
P	LTR	DESCRIPTION	DATE	DWN	APVD	
E	B	B	ECR-06-023739	07SEP2006	MJG	JA



RECOMMENDED CABLE PREPARATION  
 DENUDAGE RECOMMANDE



NOTES:

- FOR USE WITH FILECA CABLE 1703/4  
 UTILISER AVEC CABLE FILECA CABLE 1703/4
- CRIMP WITH HAND TOOL Pt No 69376-1 OR 69710 + INSET 69493  
 PINCE A SERTIR REF: 69376-1 ou 69710 + MATRICE 69493
- INSTRUCTION SHEET 408-2299-1  
 INSTRUCTION DE SERTISSAGE: 408-2299-1

ASSY PART NO	QTY	DESCRIPTION	PART NO	ITEM
134004-1	1	FERRULE	134002-1	3
	1	CRIMP END ASSY	1-330932-0	2
	1	PLUG ASSY TNC	330951	1

<small>THIS DRAWING IS A CONTROLLED DOCUMENT FOR TYCO ELECTRONICS CORPORATION          IT IS SUBJECT TO CHANGE AND THE CONTROLLING ENGINEERING ORGANIZATION          SHOULD BE CONTACTED FOR THE LATEST REVISION.</small>		DWN 07SEP2006 <b>M GREENER</b> CHK 07SEP2006 <b>J AMBROSE</b> APVD 07SEP2006 <b>J AMBROSE</b>		<b>tyco</b> <b>Electronics</b> Tyco Electronics Bideford, Devon. EX39 4HE	
DIMENSIONS: mm 		TOLERANCES UNLESS OTHERWISE SPECIFIED: 0 PLC ±0.2 1 PLC ±0.2 2 PLC ±0.2 3 PLC ±0.2 4 PLC ± ANGLES ±1		NAME COAXION RF TNC PLUG CONNECTOR ASSY	
MATERIAL - FINISH -		PRODUCT SPEC - APPLICATION SPEC - WEIGHT -		SIZE A3 CAGE CODE 00779 DRAWING NO C-134006 RESTRICTED TO -	
CUSTOMER DRAWING				SCALE NTS SHEET 1 OF 1 REV B	