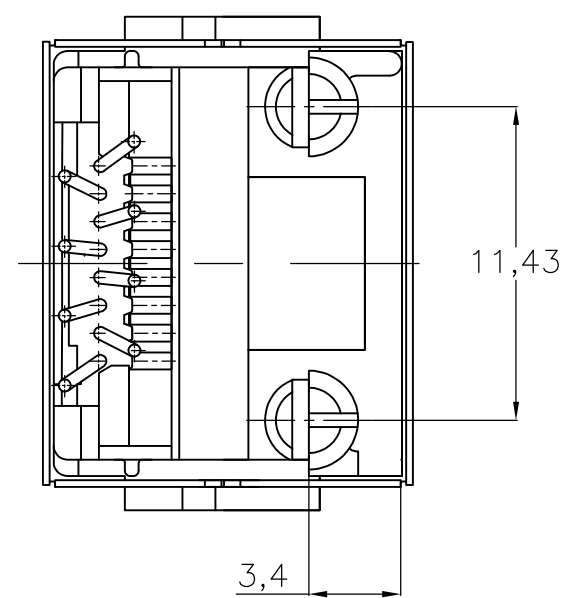
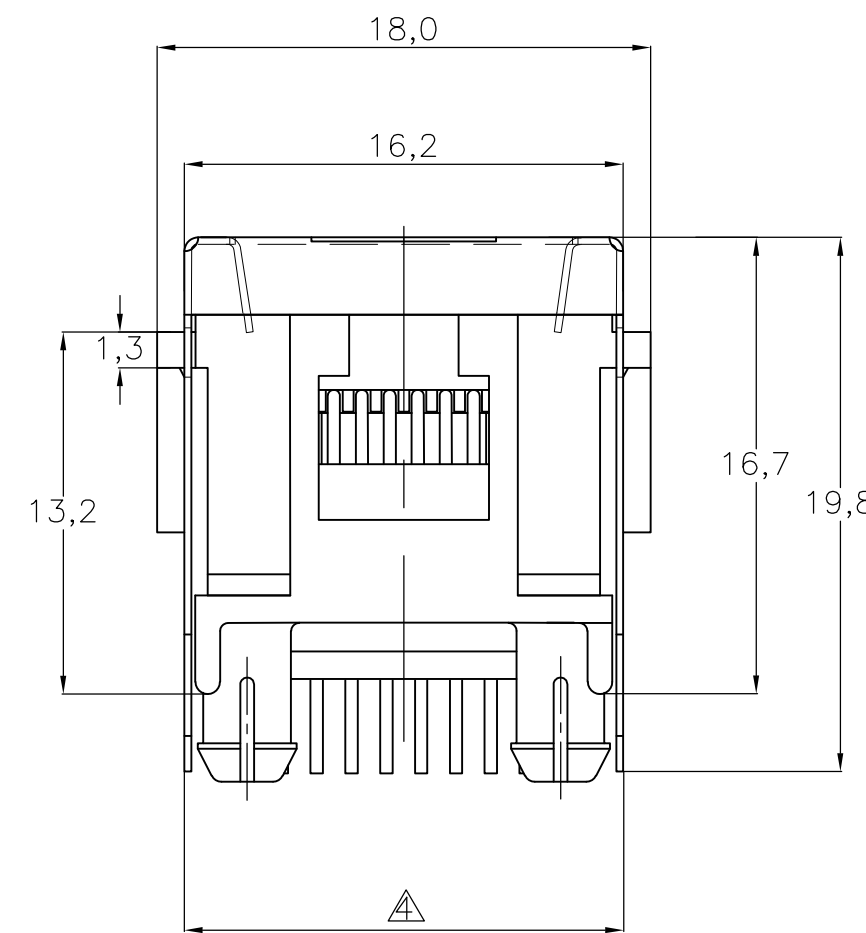
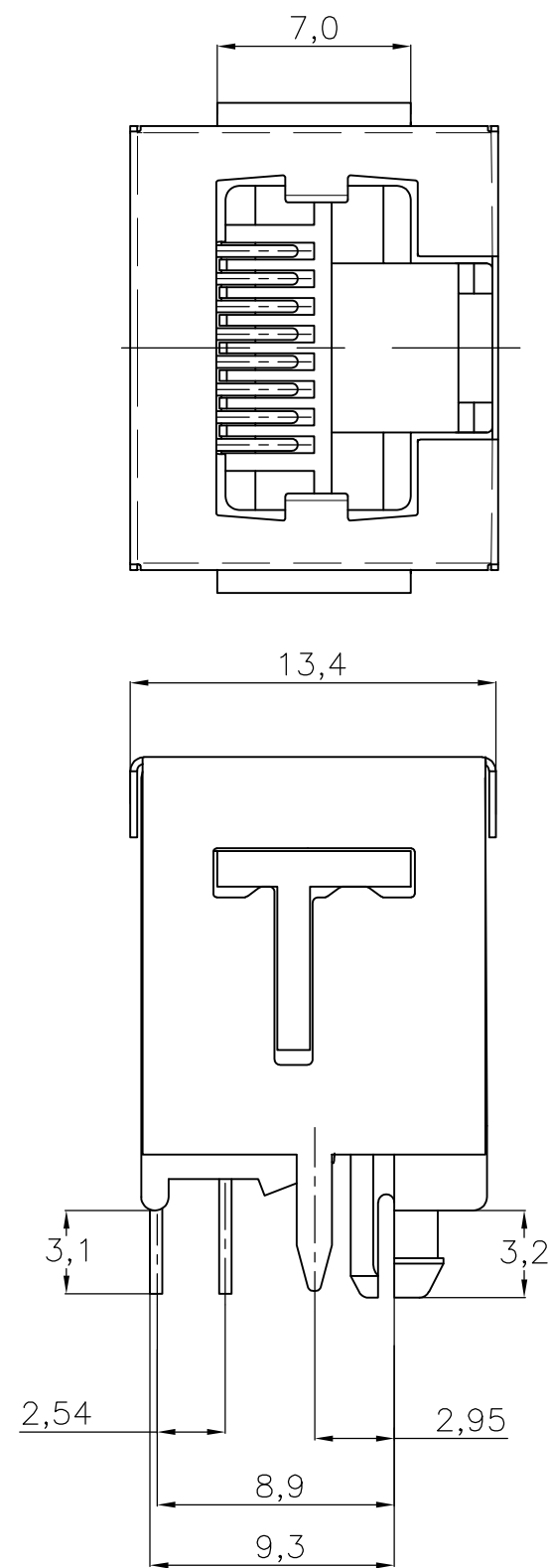
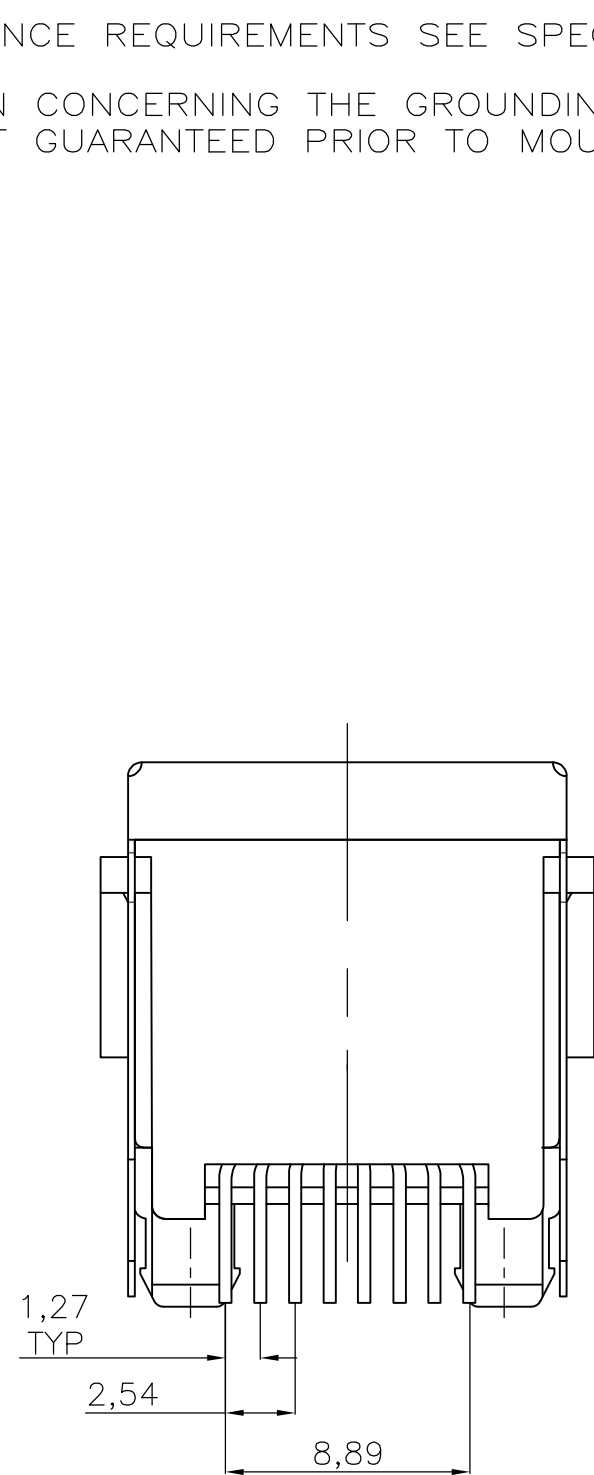


THIS DRAWING IS UNPUBLISHED. RELEASED FOR PUBLICATION  
 © COPYRIGHT - By - ALL RIGHTS RESERVED.

| LOC |     | DIST        |  | REVISIONS                            |           |      |     |
|-----|-----|-------------|--|--------------------------------------|-----------|------|-----|
| P   | LTR | DESCRIPTION |  | DATE                                 | DWN       | APVD |     |
| IR  | -   | P           |  | SHIELD RAW MATERIAL CHANGED TO BRASS | 07OCT2011 | PS   | RRP |

NOTES:

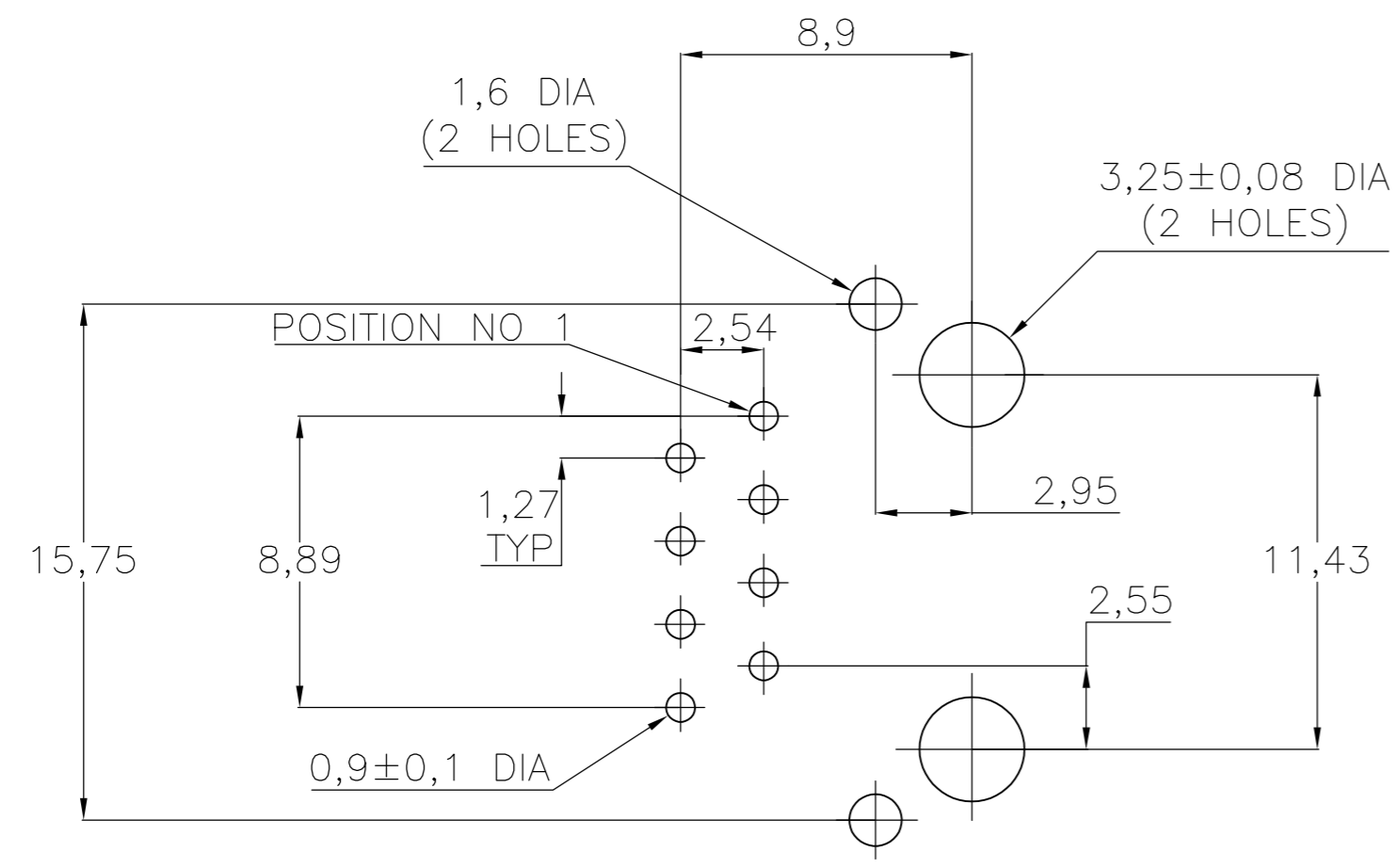
1. TOLERANCES UNLESS OTHERWISE SPECIFIED:  $\pm 0.15$ .
2. FOR APPLICATION INFORMATION SEE SPEC. 114-19019.
3. FOR PERFORMANCE REQUIREMENTS SEE SPEC. 108-19064
4. THIS DIMENSION CONCERNING THE GROUNDING TIPS OF THE SHIELD IS NOT GUARANTEED PRIOR TO MOUNTING ON THE PCB



|  |  |                  |            |  |                            |            |               |
|--|--|------------------|------------|--|----------------------------|------------|---------------|
| THIS DRAWING IS A CONTROLLED DOCUMENT. |  | DWN              | R.HOGEVEEN | 03DEC91  | <b>STE</b> TE Connectivity |            |               |
| DIMENSIONS: mm                         |  | CHK              | W.BRUMMANS | 30MAR92  |                            |            |               |
| TOLERANCES UNLESS OTHERWISE SPECIFIED: |  | APVD             | L.v.SOEST  | 01APR92  | NAME                       |            |               |
| 0 PLC ± -                              |  | PRODUCT SPEC     |            | MODULAR JACK 8 POS. TOP ENTRY SHIELDED WITH PANEL STOP |                            |            |               |
| 1 PLC ± -                              |  | APPLICATION SPEC |            | SIZE   | CAGE CODE                  | DRAWING NO | RESTRICTED TO |
| 2 PLC ± -                              |  | WEIGHT           |            | A2   | 00779                      | C=100616   | -             |
| 3 PLC ± -                              |  | FINISH           |            | CUSTOMER DRAWING                                       |                            |            |               |
| 4 PLC ± -                              |  | MATERIAL         |            | SCALE  | SHEET                      | REV        |               |
| ANGLES ± -                             |  | SEE TABLE        |            | NTS  | 1 of 2                     | P          |               |

THIS DRAWING IS UNPUBLISHED. RELEASED FOR PUBLICATION  
 © COPYRIGHT - By - ALL RIGHTS RESERVED.

| LOC |     | DIST          |      | REVISIONS |      |  |  |
|-----|-----|---------------|------|-----------|------|--|--|
| P   | LTR | DESCRIPTION   | DATE | DWN       | APVD |  |  |
| -   | -   | -SEE SHEET 1- | -    | -         | -    |  |  |



PRINTED CIRCUIT BOARD LAYOUT  
 [VIEW SHOWN IS CIRCUIT (NONCOMPONENT) SIDE OF BOARD.]  
 TOLERANCES UNLESS OTHERWISE SPECIFIED: ± 0.05  
 PRINTED CIRCUIT BOARD THICKNESS: 1,6 mm NOMINAL.

| PACKAGING                          | REMARKS                     | CONTACT PLATING  | MATERIAL  | PART NUMBER |
|------------------------------------|-----------------------------|--|---|-------------|
| BLISTER<br>(1080 pcs,<br>IN A BOX) | 8 POSITIONS/<br>8 CONTACTS, | <u>IN CONTACT AREA :</u><br>1,2µm MIN. SEL. GOLD<br>OVER 1,2µm MIN. NICKEL | <u>HOUSING:</u><br>PBT,UL 94-VO<br>COLOR: BLACK<br><br><u>CONTACTS:</u><br>PHOSPHOR BRONZE<br><br>SHIELD: BRASS<br>PRE-PLATED 3-6µm THICK<br>BRIGHT TIN | 100616-2    |
|                                    |                             | <u>SOLDER TINES :</u><br>2,0µm MIN. TIN OVER<br>1,2µm MIN. NICKEL          | <u>HOUSING:</u><br>PBT,UL 94-HB<br>COLOR: BLACK<br><br><u>CONTACTS:</u><br>PHOSPHOR BRONZE<br><br>SHIELD: BRASS<br>PRE-PLATED 3-6µm THICK<br>BRIGHT TIN | 100616-1    |

|   |  |                                  |   |                    |
|---|--|----------------------------------|---|--------------------|
| THIS DRAWING IS A CONTROLLED DOCUMENT.                                      |  | DWN<br>R.HOGEVEEN<br>03DEC91     | TE Connectivity   |                    |
| DIMENSIONS:<br>mm   |  | CHK<br>W.BRUMMANS<br>30MAR92     |   |                    |
| TOLERANCES UNLESS OTHERWISE SPECIFIED:                                      |  | APVD<br>L.v.SOEST<br>01APR92     | NAME<br>MODULAR JACK 8 POS. TOP ENTRY<br>SHIELDED WITH PANEL STOP |                    |
| 0 PLC ± -<br>1 PLC ± -<br>2 PLC ± -<br>3 PLC ± -<br>4 PLC ± -<br>ANGLES ± - |  | PRODUCT SPEC<br>APPLICATION SPEC | SIZE<br>A2  | CAGE CODE<br>00779 |
| MATERIAL<br>SEE TABLE   |  | FINISH<br>SEE TABLE              | DRAWING NO<br>C=100616  | RESTRICTED TO<br>- |
|   |  | WEIGHT<br>-                      | SCALE<br>-  | SHEET<br>2 of 2    |
|   |  | CUSTOMER DRAWING                 | REV<br>P  |                    |