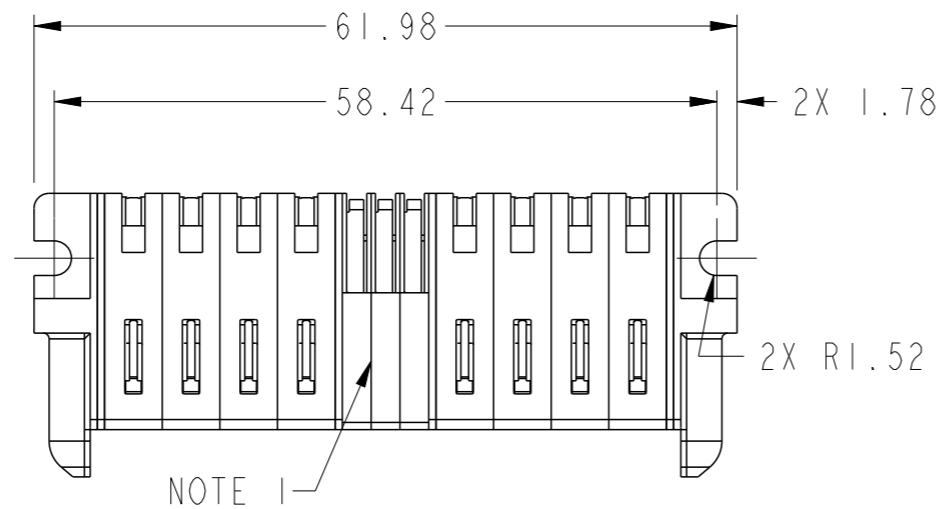
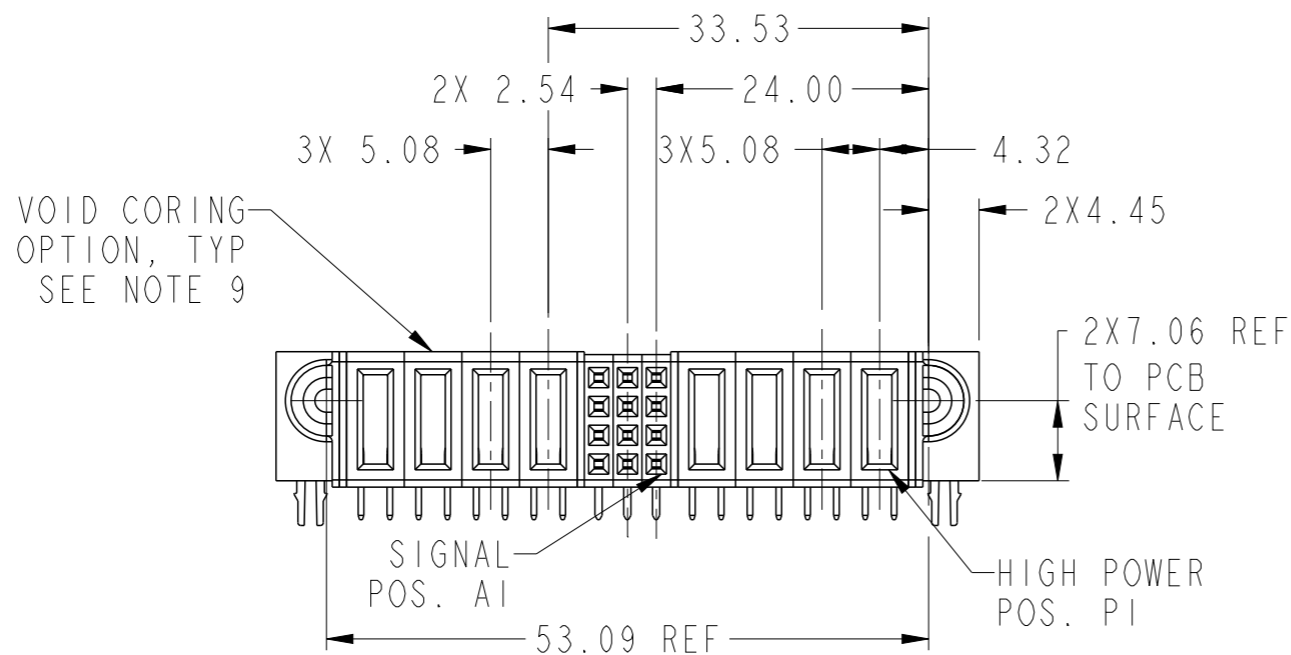


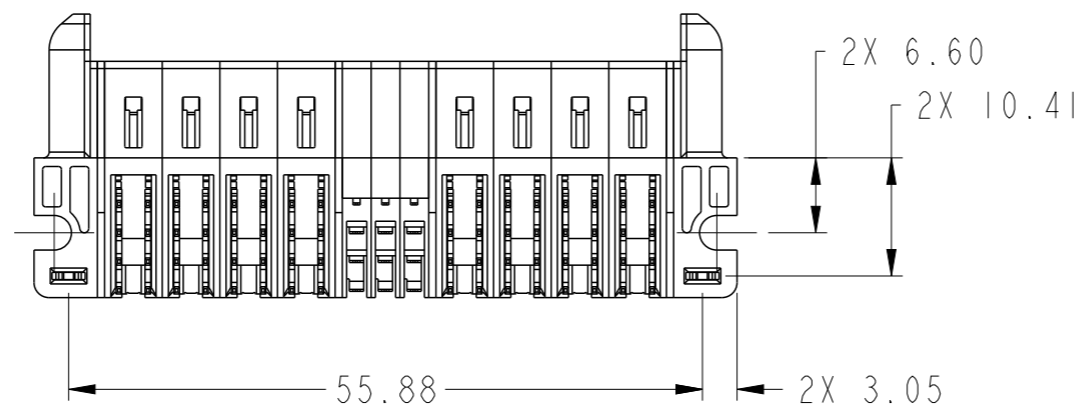
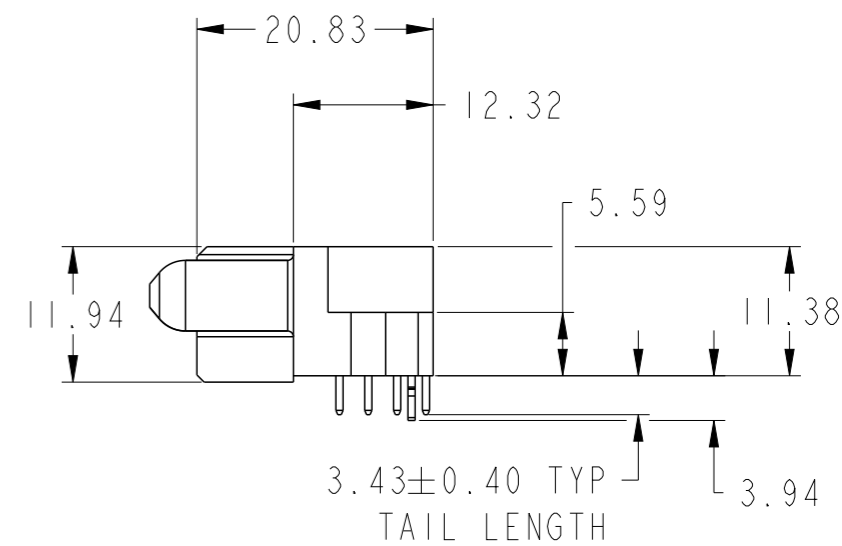
PRODUCT NUMBER SEE SHEET 2



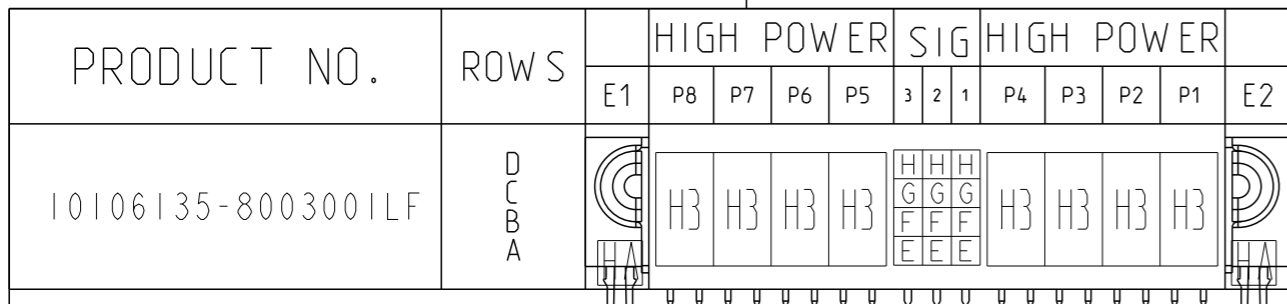
NOTE 1



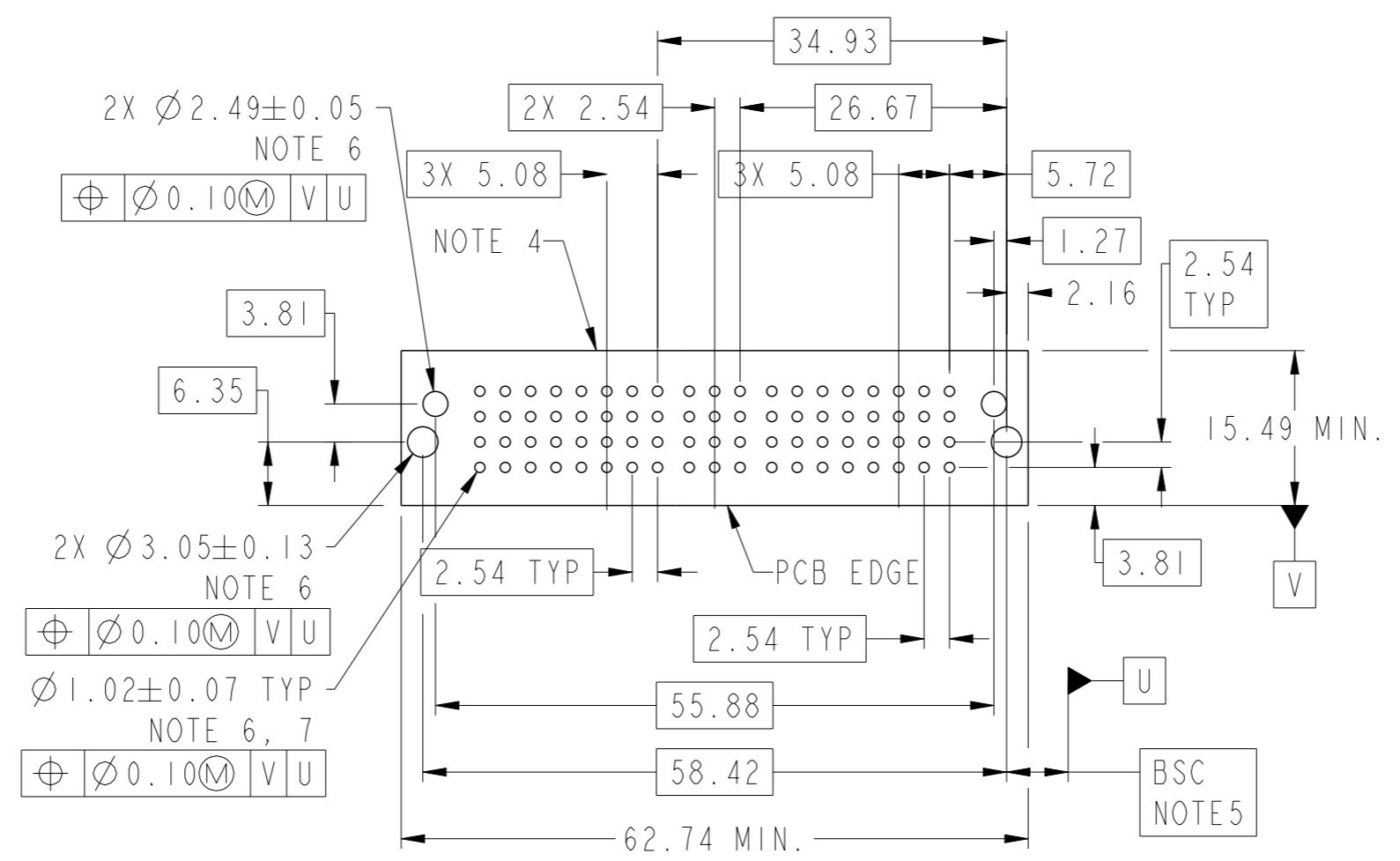
VOID CORING OPTION, TYP SEE NOTE 9



spec ref	*	dr	Peng-Bing Fu	2013/03/31	projection	MM	size	A3	scale	3:2													
tolerance std	ASME Y14.5	eng	Peng-Bing Fu	2013/04/23			ecn no	-	rel level	Released													
TOLERANCES UNLESS OTHERWISE SPECIFIED		chr	-	-																			
surface	<table border="1"> <tr> <td>linear</td> <td>0.X</td> <td>±0.5</td> </tr> <tr> <td></td> <td>0.XX</td> <td>±0.25</td> </tr> <tr> <td></td> <td>0.XXX</td> <td>±0.10</td> </tr> <tr> <td>angular</td> <td>0°</td> <td>±2°</td> </tr> </table>	linear	0.X	±0.5		0.XX	±0.25		0.XXX	±0.10	angular	0°	±2°	appr	Pei-Ming Zheng	2013/04/23	product family	PwrBlade+	rel level	Released			
linear	0.X	±0.5																					
	0.XX	±0.25																					
	0.XXX	±0.10																					
angular	0°	±2°																					
ASME Y14.5	<table border="1"> <tr> <td>linear</td> <td>0.X</td> <td>±0.5</td> </tr> <tr> <td></td> <td>0.XX</td> <td>±0.25</td> </tr> <tr> <td></td> <td>0.XXX</td> <td>±0.10</td> </tr> <tr> <td>angular</td> <td>0°</td> <td>±2°</td> </tr> </table>	linear	0.X	±0.5		0.XX	±0.25		0.XXX	±0.10	angular	0°	±2°			title	4HDP + 12S + 4HDP		dwg no	10106135-8003001		rev	A
linear	0.X	±0.5																					
	0.XX	±0.25																					
	0.XXX	±0.10																					
angular	0°	±2°																					
www.fci.com		cat. no.		Product - Customer Drw			sheet 1 of 3																



CODE	DESCRIPTION
E	STD SIGNAL CONTACT, ROW A
F	STD SIGNAL CONTACT, ROW B
G	STD SIGNAL CONTACT, ROW C
H	STD SIGNAL CONTACT, ROW D
H3	STD HIGH POWER CONTACT(3.43)
HA	METAL HOLD DOWN



Copyright FCI.

dr	Peng-Bing Fu	2013/03/31	projection	MM	size	A3	scale	3:2
eng	Peng-Bing Fu	2013/04/23			ecn no		-	
chr	-	-			rel level		Released	
appr	Pei-Ming Zheng	2013/04/23	product family		PwrBlade+		Released	
			title 4HDP + 12S + 4HDP RA STB RECEPTACLE			dwg no 10106135-8003001		rev A
www.fci.com			cat. no.		Product - Customer Drw			sheet 2 of 3

NOTES:

- 1) "FCI", PART NUMBER AND DATE CODE TO BE MARKED ON THIS SURFACE.
THE MARK CAN BE OMITTED IF THERE IS NOT ENOUGH SPACE ON THIS SURFACE.
- 2) MATERIALS:
-HOUSING - GLASS FILLED WITH HIGH TEMP THERMOPLASTIC, UL94V-0.
-SIGNAL CONTACT - COPPER ALLOY.
-POWER CONTACT - HIGH CONDUCTIVITY COPPER ALLOY.
- 3) PLATING SPECIFICATION REFER TO FCI 10116351
- 4) DENOTES CONNECTOR KEEP OUT ZONE.
- 5) DATUM AND BASIC DIMENIONS WERE ESTABLISHED BY CUSTOMER.
- 6) ALL HOLE DIAMETERS ARE FINISHED HOLE SIZES.
- 7) 1.15 ± 0.025 MM DRILLED HOLE PLATED WITH 0.00762MM MIN Sn
OVER 0.0254-0.0762MM Cu PLATING TO ACHIEVE A 1.02 ± 0.07 MM HOLE.
- 8) PRODUCT SPECIFICATION REFER TO FCI GS-12-658.
APPLICATION SPECIFICATION REFER TO FCI GS-20-141.
PRODUCT PACKAGED IN TRAYS, REFER TO FCI GS-14-1502.
- 9) THE VOID CORING IN BETWEEN POWER MODULES, SIGNAL
MODULES AND END MODULES ARE OPTIONAL AND THE SHAPE
MAY BE DIFFERENT FOR OPTIMIZE THE MOLDING PROCESS. THE
VOID CORING WILL NOT EFFECT TO PRODUCT FUNCTION.



Copyright FCI.

dr	Peng-Bing Fu	2013/03/31	projection 	MM 	size	A3	scale	3:2	
eng	Peng-Bing Fu	2013/04/23			ecn no	-			
chr	-	-	product family	PwrBlade+	rel level	Released			
appr	Pei-Ming Zheng	2013/04/23			title	4HDP + 12S + 4HDP		rev	A
www.fci.com			cat. no.	Product - Customer Drw	dwg no	10106135-8003001		sheet 3 of 3	