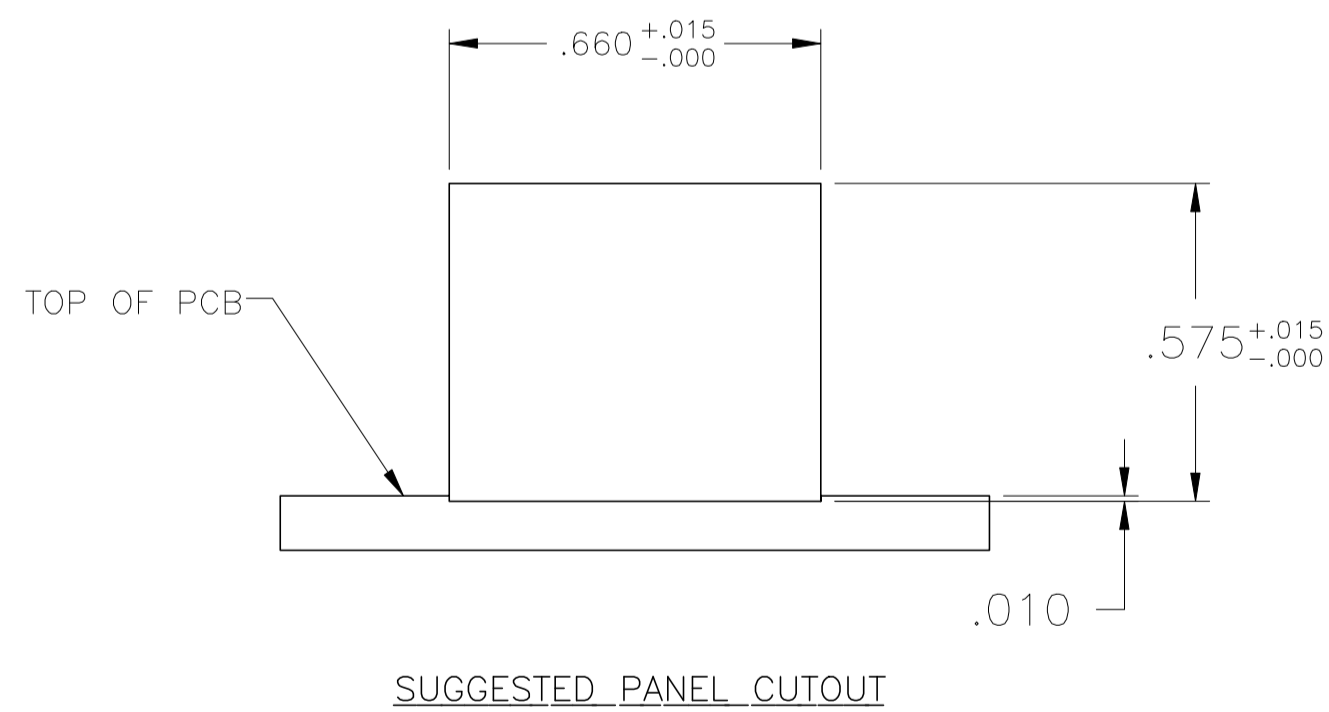
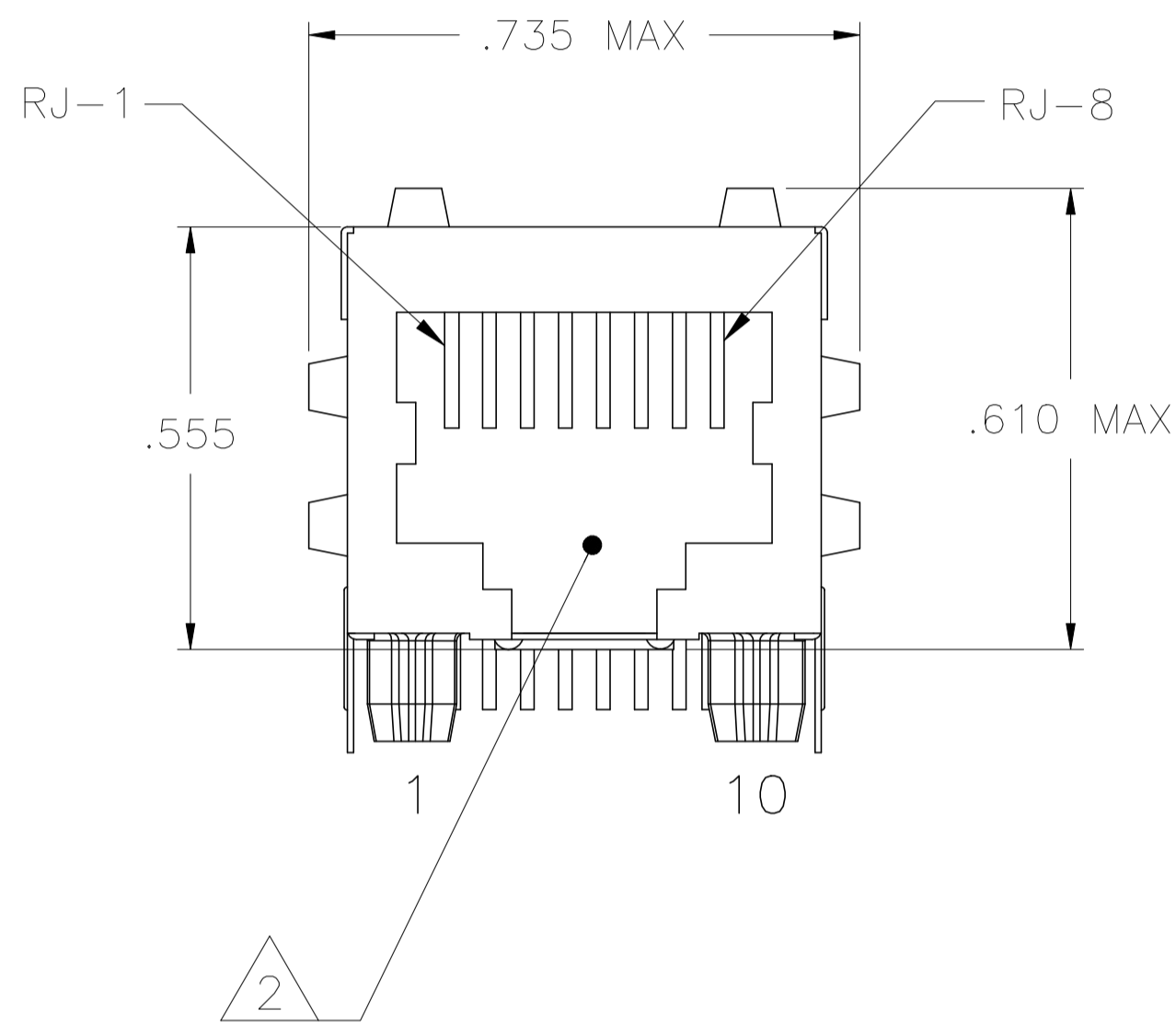
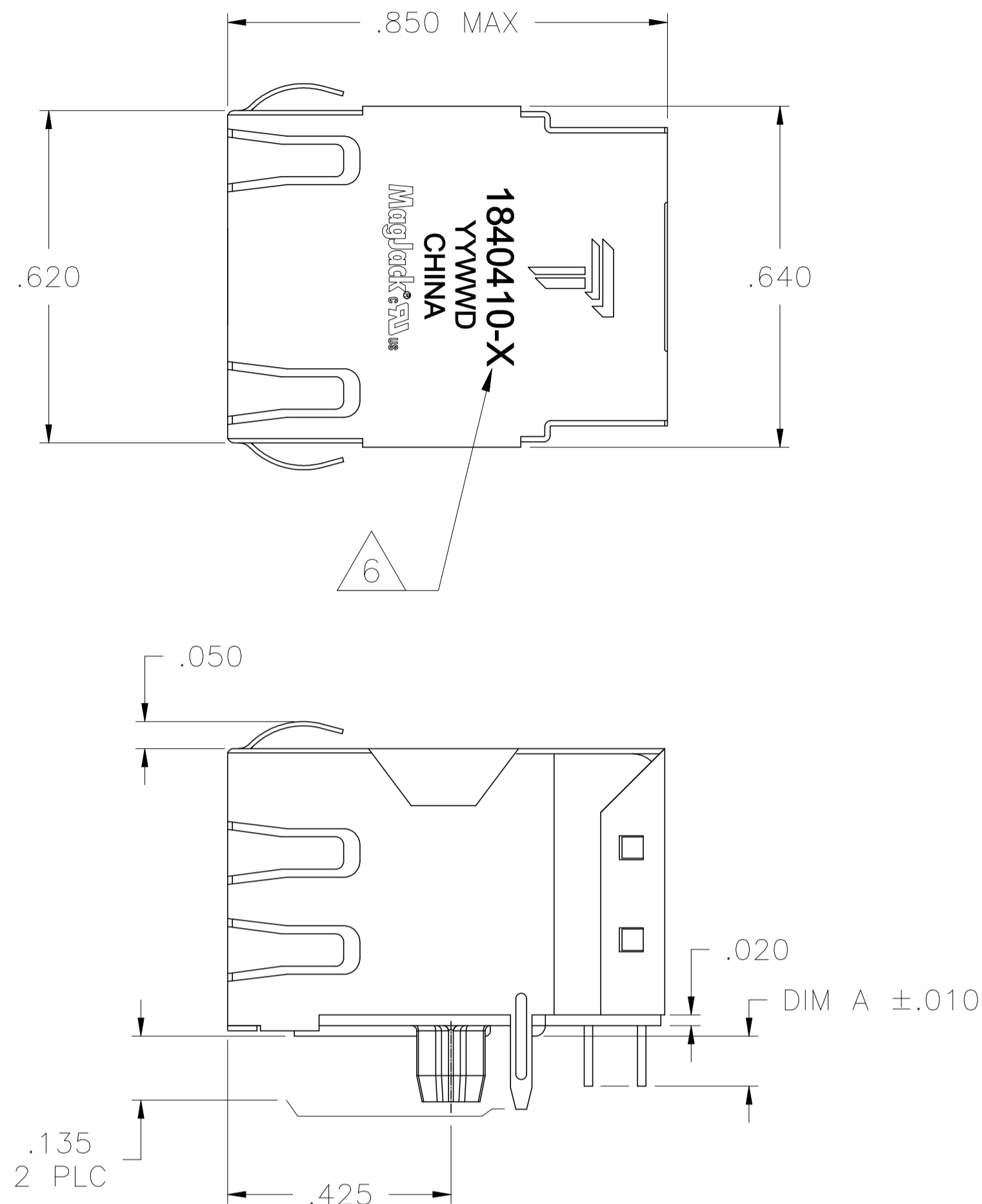


THIS DRAWING AND THE SUBJECT MATTER SHOWN THEREON ARE CONFIDENTIAL AND THE PROPERTY OF BEL/STEWART/TRP CONNECTOR AND SHALL NOT BE REPRODUCED, COPIED, OR USED IN ANY MANNER WITHOUT THE WRITTEN CONSENT OF TRP CONNECTOR.

PRODUCT MAY BE PROTECTED BY ONE OR MORE OF THE FOLLOWING US PATENTS:
 5736910 5939955 6425781 6428361 6554638 6840817 7123117
 7429195 7717749 7808751 6217391 6149050 7924130

REVISIONS					
P	REV	DESCRIPTION	DATE	DWN	APVD
H		EC-1411035 COMPANY LOGO CHANGE	13JAN2015	TL	KZ

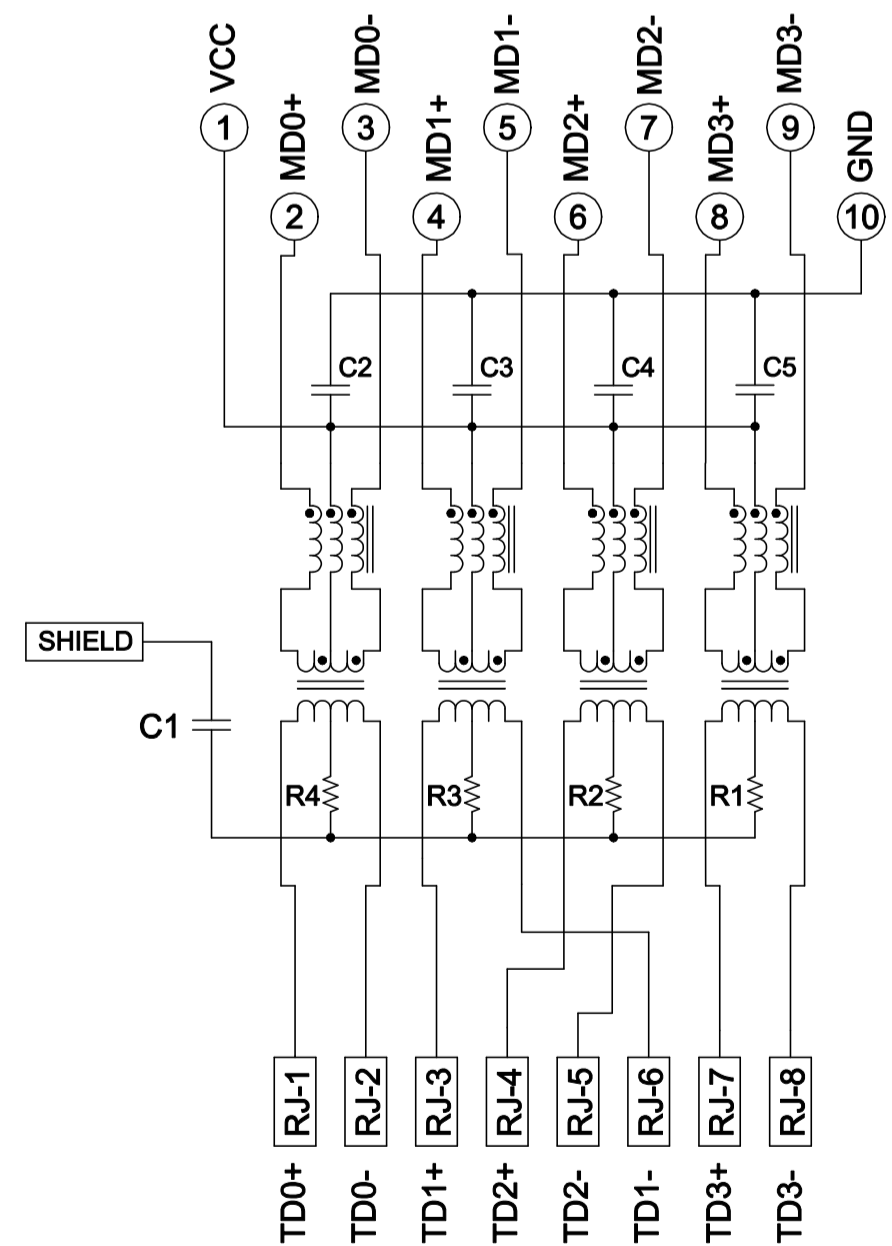
MECHANICAL:



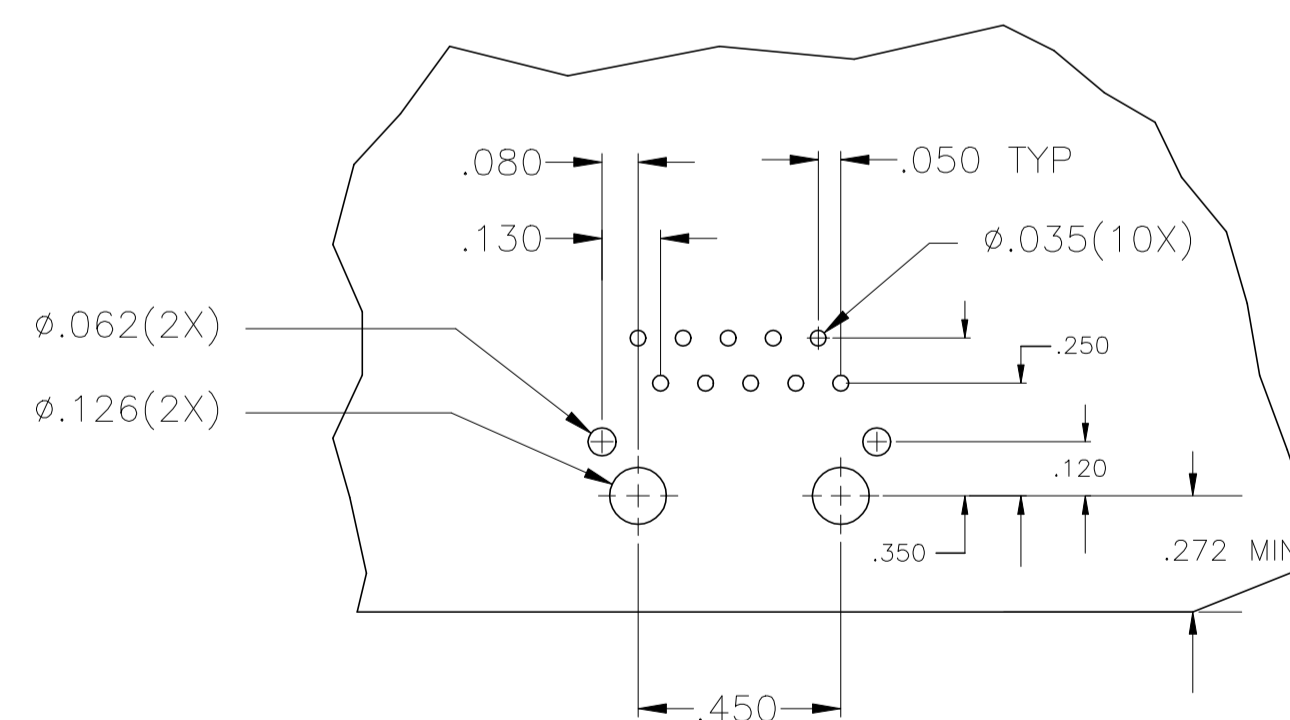
- NOTES:
- ① MATERIALS
 - HOUSING: THERMOPLASTIC, FLAMMABILITY RATING UL 94V-0.
 - SHIELD: BRASS C26800 0.008 INCH THICK, PREPLATED WITH 30μ INCH MIN SEMI-BRIGHT NICKEL. SOLDER TABS POST DIPPED WITH 100μ INCH MIN SAC SOLDER.
 - CONTACTS: PHOSPHOR BRONZE 0.0157 X 0.018", 50μ INCH MIN OVERALL NICKEL UNDERPLATE, WITH SELECTIVE 50μ INCH MIN HARD GOLD FINISH PLATE.
 - SOLDER TAILS: 100μ INCH MIN MATTE TIN AND/OR SAC SOLDER DIP.
 - ② RJ45 JACK CAVITY CONFORMS TO FCC RULES AND REGULATIONS PART 68 SUB PART F.
 - ③ MAGNETICS
 - APPLICATION: 10/100/1000 BASE-T, EXTENDED TEMPERATURE
 - IMPEDANCE: 100 OHMS
 - TURNS RATIO (CHIP:CABLE): 1:1 ALL FOUR PAIRS
 - OPEN CIRCUIT INDUCTANCE (OCL): 350μH MIN. @100kHz, 0.1VRMS, 8mADC BIAS FROM -40°C TO +85°C, ALL FOUR PAIRS
 - ALL FOUR PAIRS BI-DIRECTIONAL
 - PERFORMANCE @ 25°C:
 - INSERTION LOSS (IL): 1.1dB MAX. FROM 0.5MHz TO 100MHz
 - RETURN LOSS (RL): 18dB MIN FROM 0.5MHz TO 40MHz
 - 12-20LOG(f/80)dB MIN. FROM 40.1MHz TO 100MHz
 - CROSSTALK ATTENUATION: 35dB MIN. FROM 0.5MHz TO 40MHz
 - 33-20LOG(f/50)dB MIN. FROM 40.1MHz TO 100MHz
 - COMMON MODE REJECTION RATIO (CMRR):30dB MIN. FROM 0.5MHz TO 100MHz
 - ISOLATION VOLTAGE:
 - 1840410-1, 1840410-2 COMPLY WITH IEEE802.3 2002, PARA 40.6.1.1, ITEM b.
 - 1840410-6 COMPLIES WITH IEEE802.3 2002, PARA 40.6.1.1, ITEM a and b.
 - 4. OPERATING TEMPERATURE: FROM -40°C TO +85°C.
 - ⑤ INDICATED MAGNETIC CONNECTIONS ARE SYMMETRICAL TO SUPPORT AUTO-MDI/MDIX.
 - ⑥ TRP CONNECTOR LOGO, PART NUMBER, DATE CODE, COUNTRY OF ORIGIN AND AGENCY APPROVAL MARKING IN APPROXIMATE LOCATION SHOWN.
 - 7. THESE PARTS ARE RECOMMENDED FOR WAVE SOLDERING PROCESS,PREHEAT TEMPERATURE IS 120°C TO 160°C, 120 SECONDS TO 180 SECONDS, PEAK WAVE SOLDERING TEMPERATURE IS 260°C MAX,10 SECONDS MAX.

ELECTRICAL:

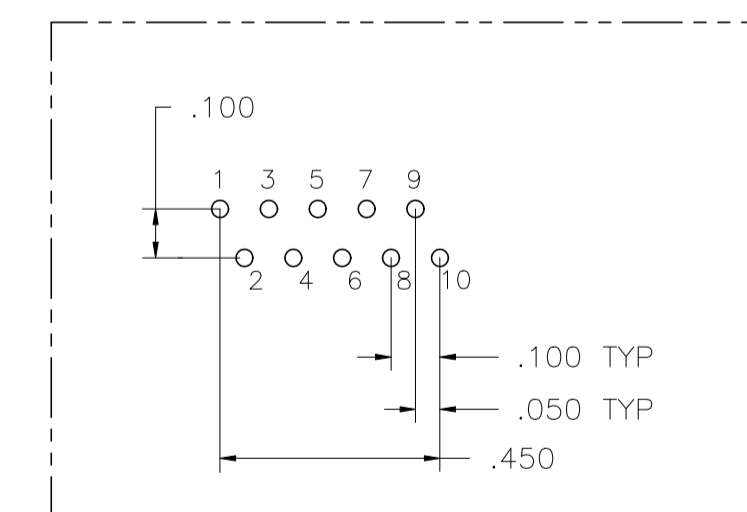
4G46ETP1 GIGABIT CIRCUIT ③ ⑤



C1=1000pF, CAPACITOR
 R1-R4=75 OHMS, 1/16W RESISTORS
 C2-C5=0.1uF, 50V CAPACITOR



SUGGESTED PCB LAYOUT
 COMPONENT SIDE



PIN DESIGNATIONS

OBsolete	3 KV	0.090	1840410-6
	2 KV	0.145	1840410-2
	2 KV	0.090	1840410-1
	DECOUPLING CAPACITOR	DIM A	PART NUMBER

THIS DRAWING IS A CONTROLLED DOCUMENT.

DIMENSIONS: INCHES	TOLERANCES UNLESS OTHERWISE SPECIFIED:	0 PLC ± -	1 PLC ± -	2 PLC ± .010	3 PLC ± .005	4 PLC ± -	ANGLES ± -
PRODUCT SPEC	APPLICATION SPEC	108-2100	-				

DWN: CLOUD ZENG 20JUN2006
 CK: MICHAEL ZHANG 20JUN2006
 APVD: TEDDY XIONG 20JUN2006
 MODEL NAME: MAGJACK
 SINGLE NON-POE
 CUSTOMER DRAWING

DONGGUAN CHINA
 DESC: 1X1 4G46ETP1 GIGABIT TAB DOWN W/O LED
 SIZE: A1
 CAGE CODE: -
 DRAWING NO: 1840410
 RESTRICTED TO: -
 SCALE: NTS
 SHEET: 1 OF 1
 REV: H