

- NOTE 1. THIS PRODUCT IS DELIVERED SEPARATELY.
 2 AS SHOWN IN THE FIGURE, THIS PRODUCT SHALL BE USED ASSEMBLED TO A CONNECTOR UNIT 'DH3+B-17S'. A CLAMP 'DH-17-CMB(6.3)' IS NEEDED WHEN ASSEMBLING THE UNIT.
 3. THIS PRODUCT SHALL BE MATED WITH A RECEPTACLE 'DH60-17P*' WHICH ASSEMBLED LOCK SCREWS 'DH-LNA***'.
 4 A RECOMMENDED SCREW TIGHTENING TORQUE TO THE LOCK SCREWS TO BE FROM 0.06 TO 0.07 N · m.
 5 A RECOMMENDED SCREW TIGHTENING TORQUE FOR COVERS TO BE FROM 0.1 TO 0.15 N · m.

3	STAINLESS STEEL	PLATING : NICKEL 0.1 μm MIN	5	STEEL	OVER PLATING: NICKEL 3 μm MIN UNDER PLATING: COPPER 0.1 μm MIN
2	PC	UL94V-0 (SAND BEIGE)	4	STEEL	OVER PLATING : NICKEL 2 μm MIN UNDER PLATING : COPPER 1 μm MIN M2×0.4
1					
NO.	MATERIAL	FINISH . REMARKS	NO.	MATERIAL	FINISH . REMARKS
UNITS mm		SCALE 2 : 1	COUNT		DESCRIPTION OF REVISIONS
		APPROVED : KN. ICHIKAWA	10.04.05	DESIGNED	EDC3-126586-13
HIROSE ELECTRIC CO., LTD.		CHECKED : KN. ICHIKAWA	10.04.05	CHECKED	DH-17-CV1B(13)
		DESIGNED : MO. SHIMOYAMA	10.04.05	DATE	
		DRAWN : TM. ONO	10.04.05		
				DRAWING NO.	
				PART NO.	
				CODE NO.	CL244-0009-6-13
					1/2

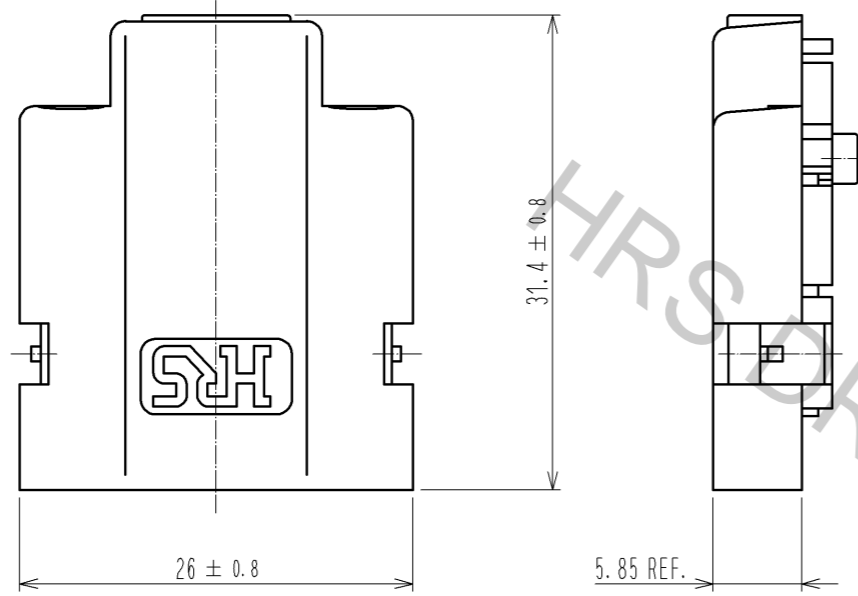
Apr.1.2017 Copyright 2017 HIROSE ELECTRIC CO., LTD. All Rights Reserved.

1 2 3 4 5 6 7 8

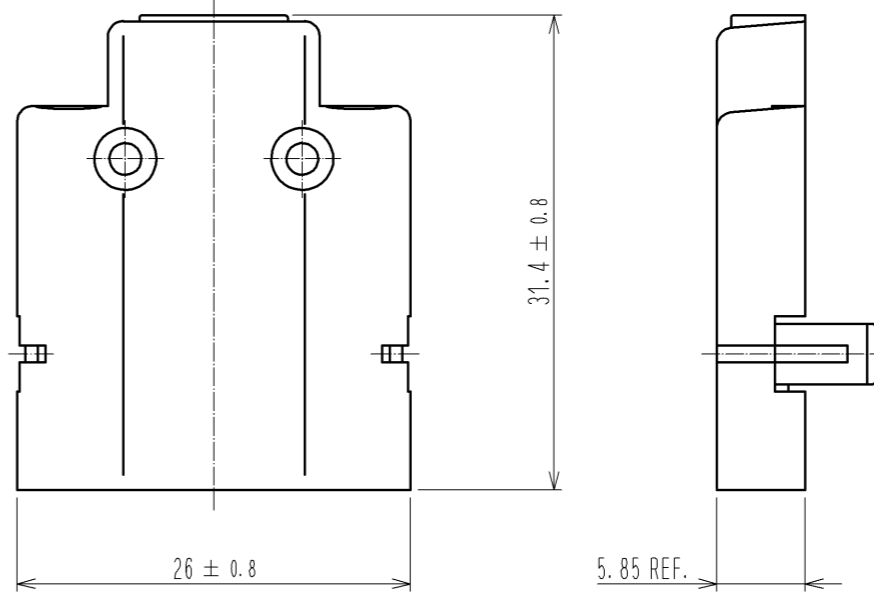
A
B
C
D
E
F

A
B
C
D
E
F

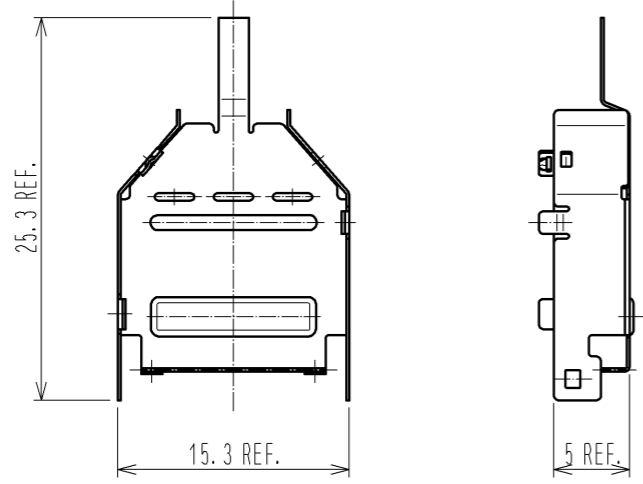
REF No. ①



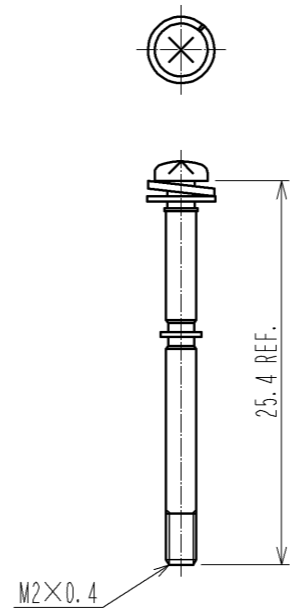
REF No. ②



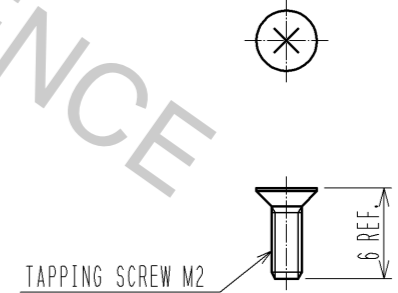
REF No. ③

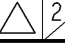


REF No. ④



REF No. ⑤



HRS	DRAWING NO.	EDC3-126586-13	 2/2
	PART NO.	DH-17-CV1B(13)	
	CODE NO.	CL244-0009-6-13	