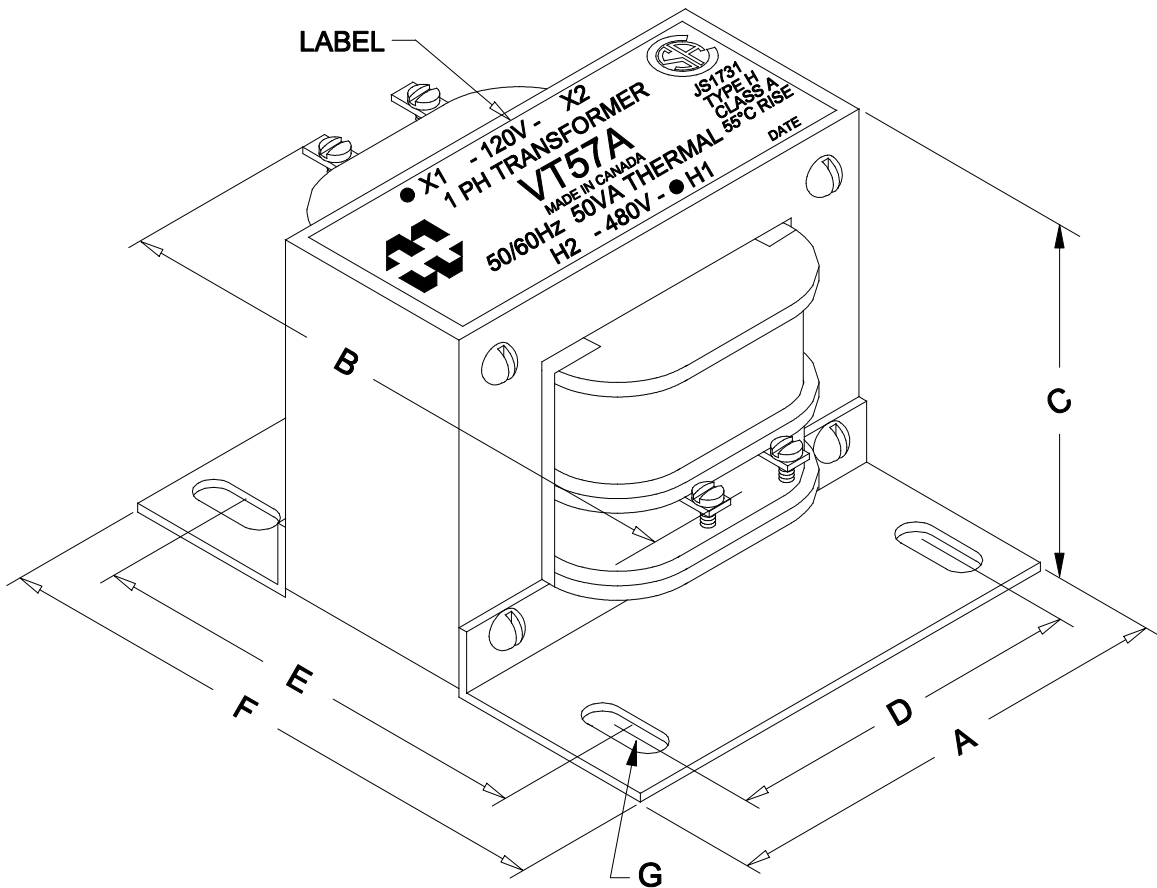
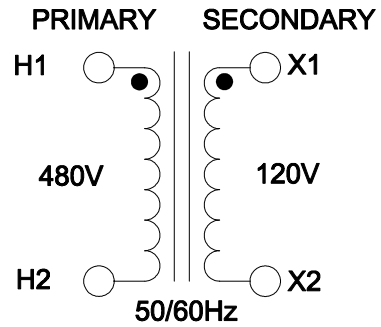


EDBVT57A

DIMENSIONS:	
A	3.000" ±0.063
B	3.040" ±0.125
C	2.500" ±0.063
D	2.500" ±0.063
E	2.500" ±0.063
F	3.250" ±0.063
G	0.219" x 0.438" ±0.015



HAMMOND
MANUFACTURING™

ELECTRONIC DIVISION
52 RANKIN PLACE,
WATERLOO, ONTARIO, N2J 3Z5
PH # (519) 886-6181
FAX # (519) 886-9540

TITLE

VT57A

NO	DATE	REVISION	DWG. BY
0	05/28/10	PRELIMINARY. C.I.	CORINA ILIE
			DATE
			05/28/10
			DIM IN(×)MM()

EDBVT57A