

THIS DRAWING IS UNPUBLISHED. RELEASED FOR PUBLICATION N/A, N/A, .
 © COPYRIGHT N/A BY TYCO ELECTRONICS CORPORATION. ALL RIGHTS RESERVED.

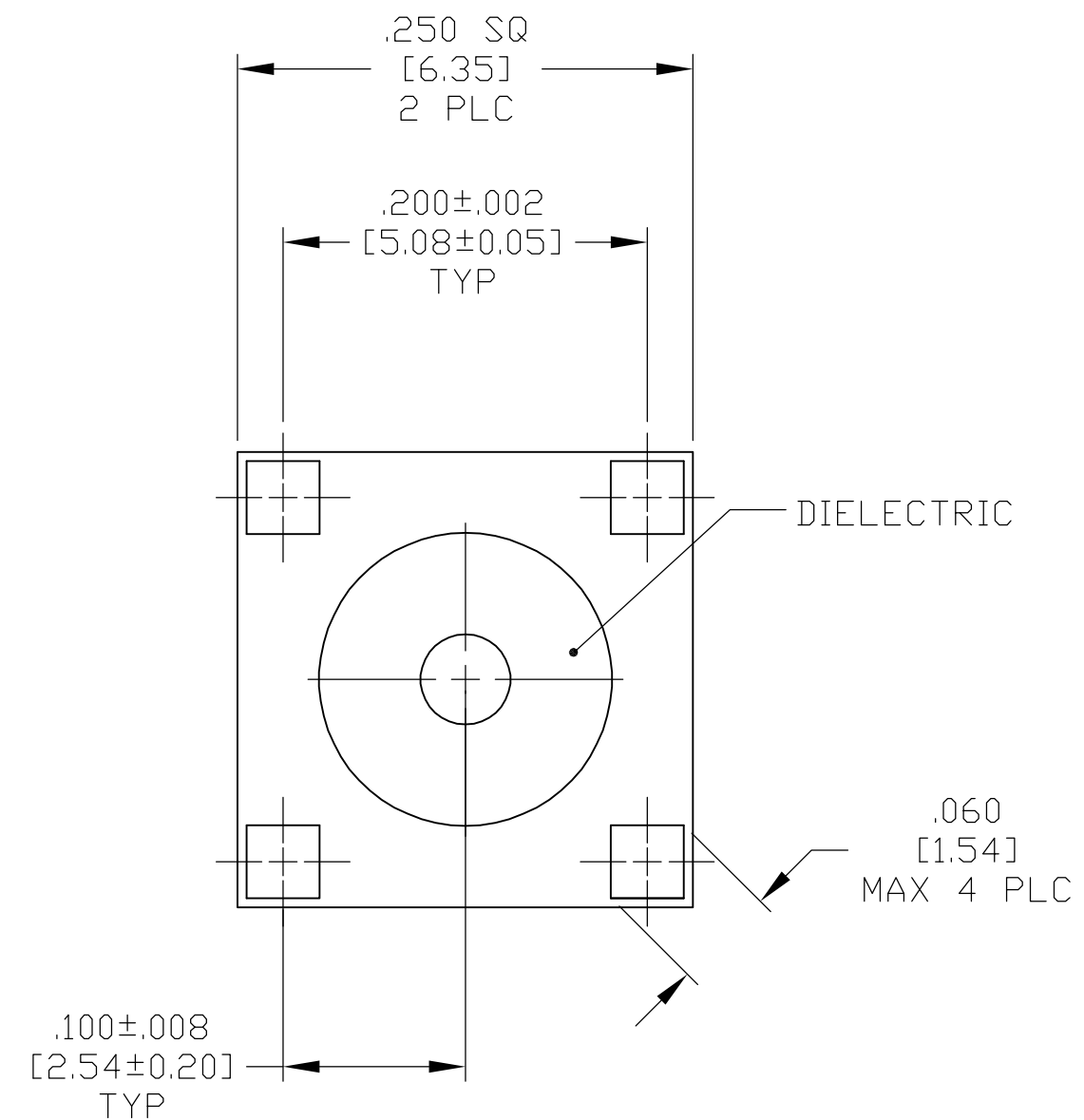
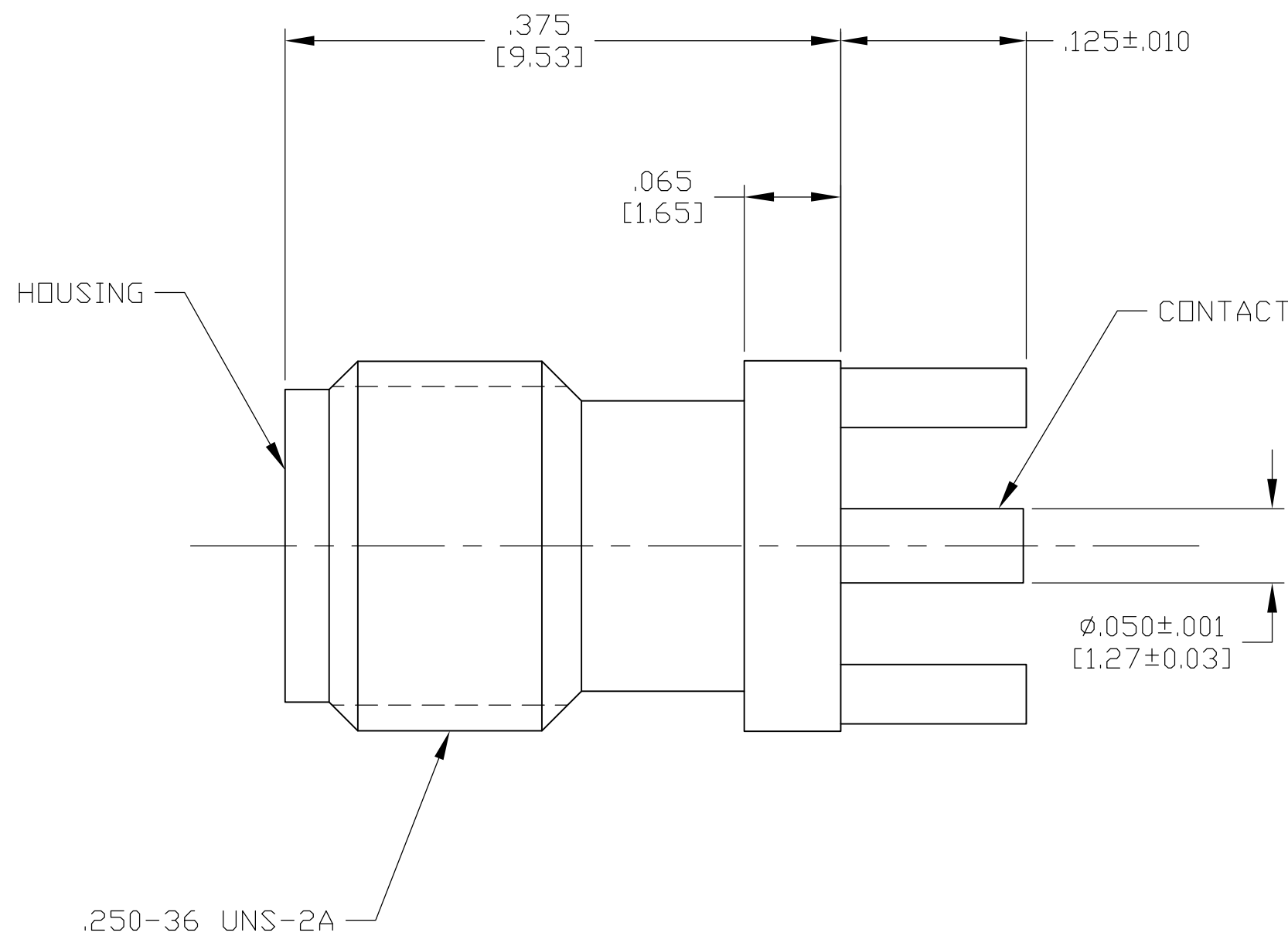
LOC	DIST	REVISIONS					
DF	X0	P	LTR	DESCRIPTION	DATE	DWN	APVD
		A		REV PER ECO 05-1266	4-20-05	CT	FB

COMPONENT	MATERIAL	FINISH
HOUSING	STAINLESS STEEL PER ASTM-A-484 OR ASTM-A-582 TYPE 303	GOLD PLATED PER ASTM-B-488
DIELECTRIC	PTFE FLUORCARBON PER ASTM-D-1457	
CENTER CONTACT	BERYLLIUM COPPER PER ASTM-B-194 ALLOY C17200, CONDITION H	GOLD PLATED PER ASTM-B-488

ENVIRONMENTAL	
TEMPERATURE RATING:	-65°C TO +105°C
VIBRATION:	MIL-STD-202, METHOD 204, CONDITION D
SHOCK:	MIL-STD-202, METHOD 213, CONDITION 1
MOISTURE RESISTANCE:	MIL-STD-202, METHOD 106
CORROSION:	MIL-STD-202, METHOD 101, CONDITION B. 5% SALT SPRAY
THERMAL SHOCK:	MIL-STD-202, METHOD 107, CONDITION B EXCEPT HIGH TEMP 125°C

MECHANICAL	
INTERFACE DIMENSIONS:	MIL-STD-348A FIG. 310.2
RECOMMENDED MATING TORQUE:	7-10 IN-LBS
FORCE TO ENGAGE & DISENGAGE (IN-LBS MAX):	2.0
WEIGHT (GRAMS):	TBD
MATING CHARACTERISTICS:	INSERTION (MAX LBS) 2 WITHDRAWAL (MIN OZ): 1
CABLE RETENTION:	AXIAL FORCE (LBS) N/A TORQUE (IN-OZ): N/A
CENTER CONTACT CAPTIVATION:	AXIAL (LBS): 6.0 MIN RADIAL (IN-OZ): 4.0 MIN

ELECTRICAL	
NORMAL IMPEDANCE (OHMS):	50
FREQUENCY RANGE (GHz):	DC TO 18
VOLT RATING @ SEA LEVEL (VRMS MAX):	335
VSWR:	N/A
INSERTION LOSS: (dB MAX):	N/A
RF LEAKAGE (dB MIN):	N/A
CORONA 70,000 FT (VRMS MIN):	250
DIELECTRIC WITHSTANDING VOLTAGE (VRMS MIN) AT SEA LEVEL:	1000
I.R. (MEGOHMS MIN):	5,000
RF HIGH POTENTIAL AT SEA LEVEL (VRMS MIN @ 5 MHz):	670
CONTACT RESISTANCE (MILLIOHMS MAX):	CENTER CONTACT: 3.0 OUTER CONTACT: 2.0 CABLE TO HOUSING: N/A



1053374-1
PART NO.

THIS DRAWING IS A CONTROLLED DOCUMENT.		DWN J. KAISER 10/10/02	AMP Tyco Electronics Corporation Harrisburg, Pa 17105-3608	
DIMENSIONS: INCHES [mm]		CHK J. LIPPERT 11-20-02	NAME SMA STRAIGHT PCB JACK (M39012/93-3002)	
TOLERANCES UNLESS OTHERWISE SPECIFIED:		APVD J. LIPPERT 11-20-02	SIZE A2	
0 PLC ± -		PRODUCT SPEC	CAGE CODE 00779	DRAWING NO C=1053374
1 PLC ± -		APPLICATION SPEC	RESTRICTED TO	
2 PLC ± -			SCALE 10:1	SHEET 1 OF 1
3 PLC ± .005 [0.13]			REV A	
4 PLC ± -				
ANGLES ± -				
FINISH		WEIGHT TBD		
MATERIAL SEE TABLE		CUSTOMER DRAWING		
SEE TABLE		MA/COM # 2062-8002-90		