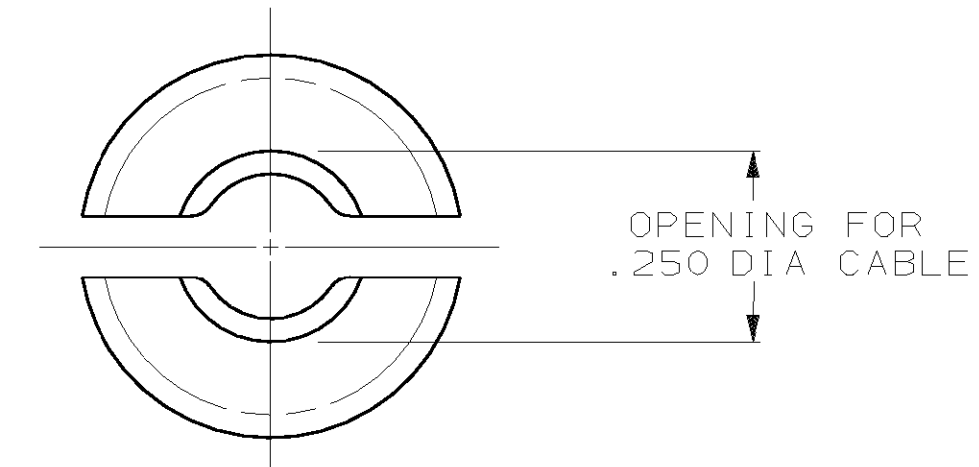
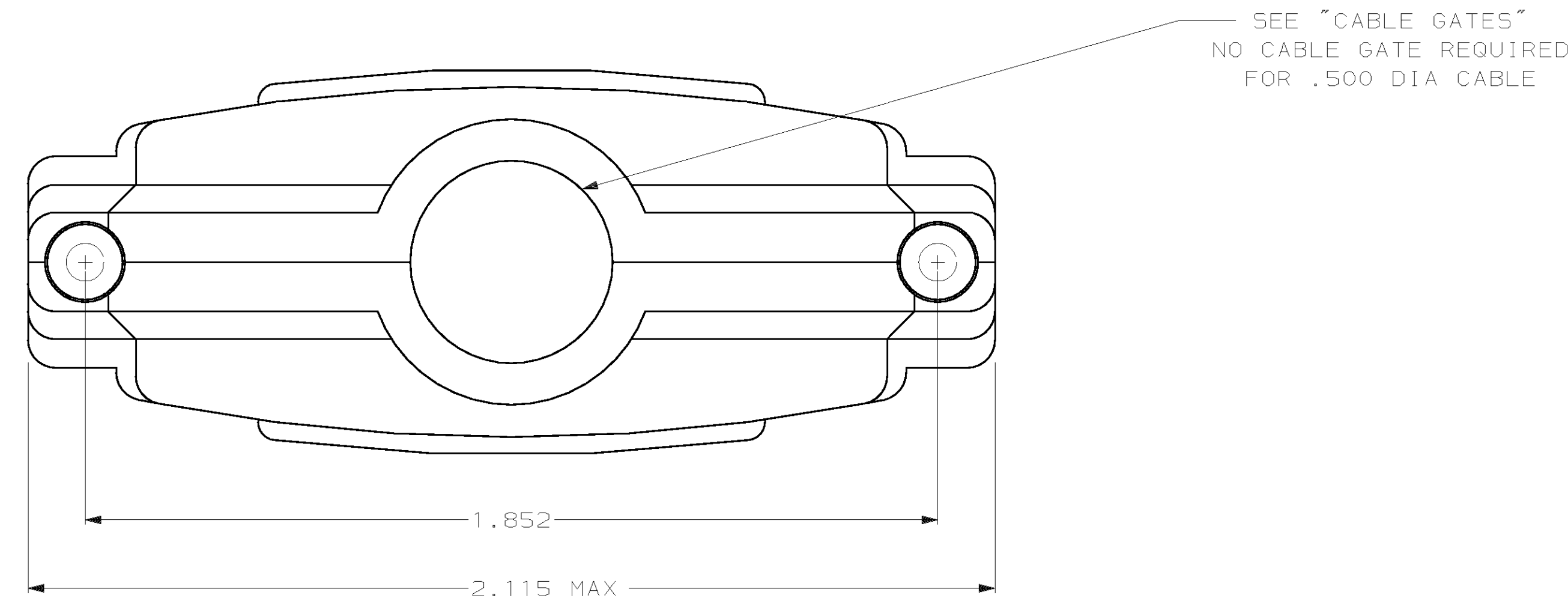
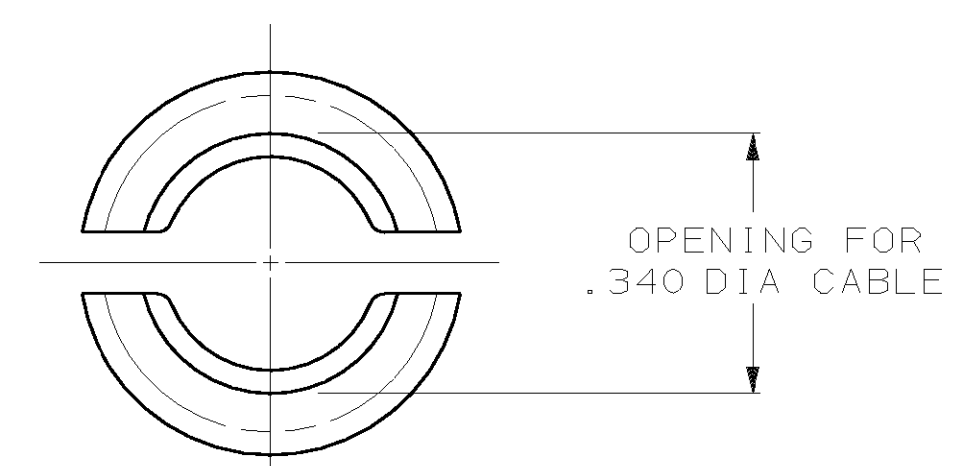


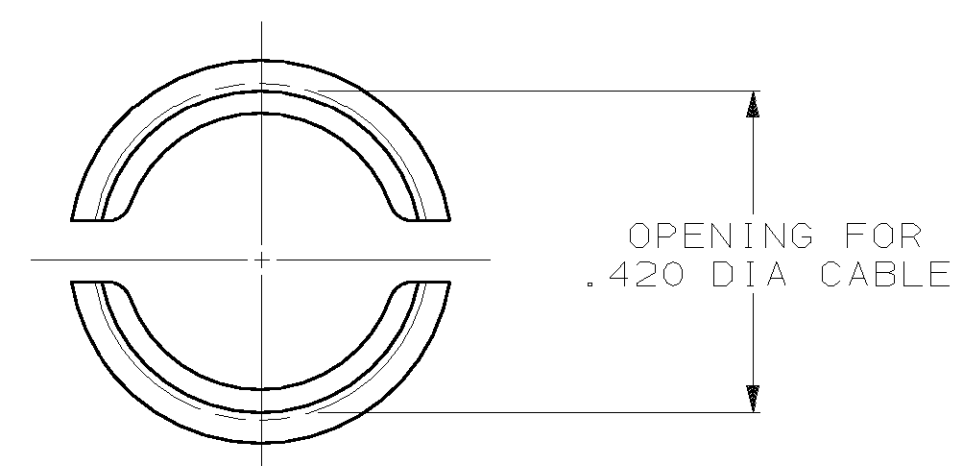
LOC	DIST	P	F	ZONE	LTR	REVISIONS	DATE	APPD
BD	77					5/7/90		
				A		REDRAWN ON CAD	5/7/90	-
				B		REV PER EC 0020-246-94	05/16/94	PR
				C		OBS -1 PER EC 001D-0244-00	09 OCT 00	DK



SET 3A

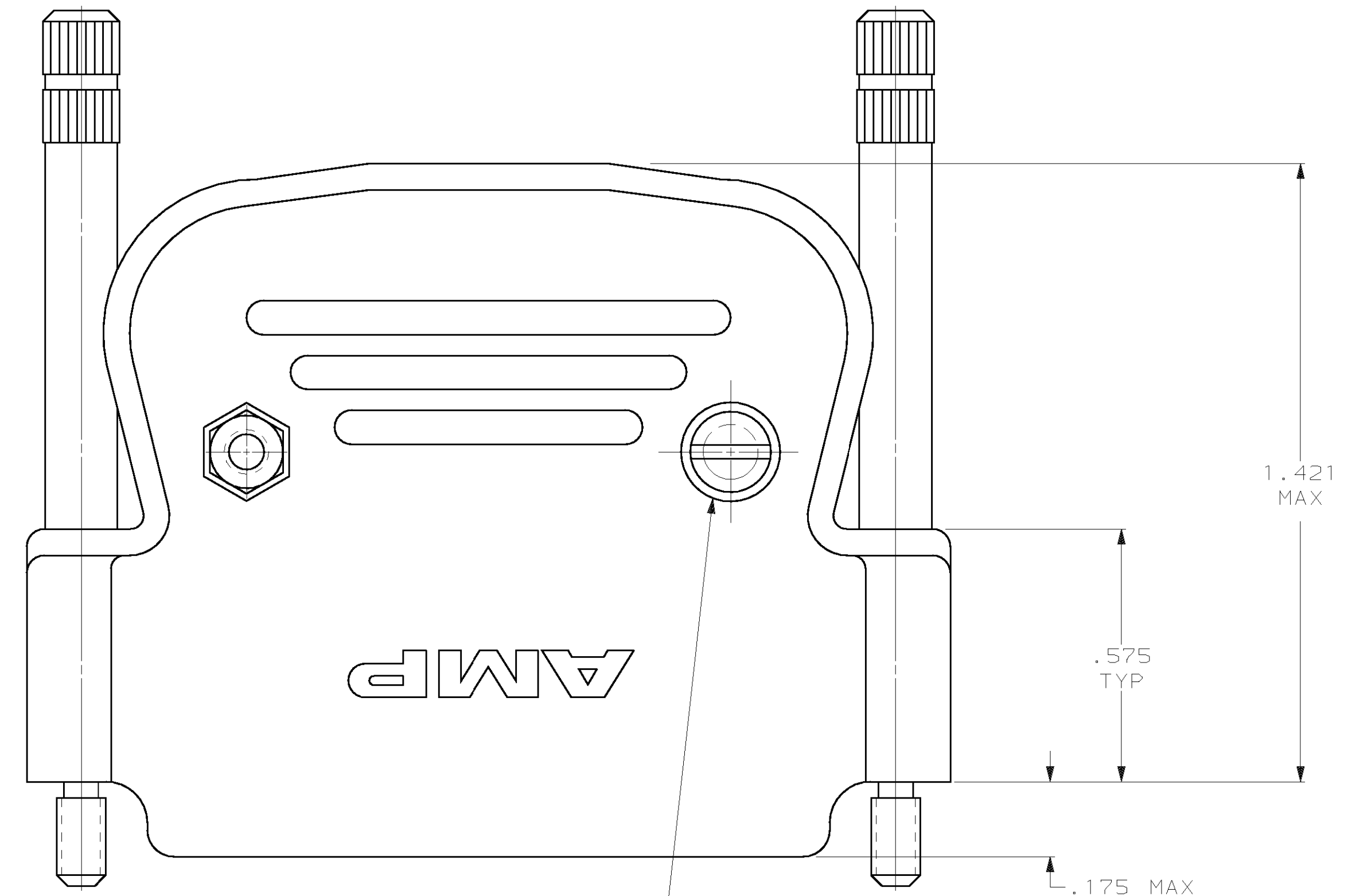


SET 3B

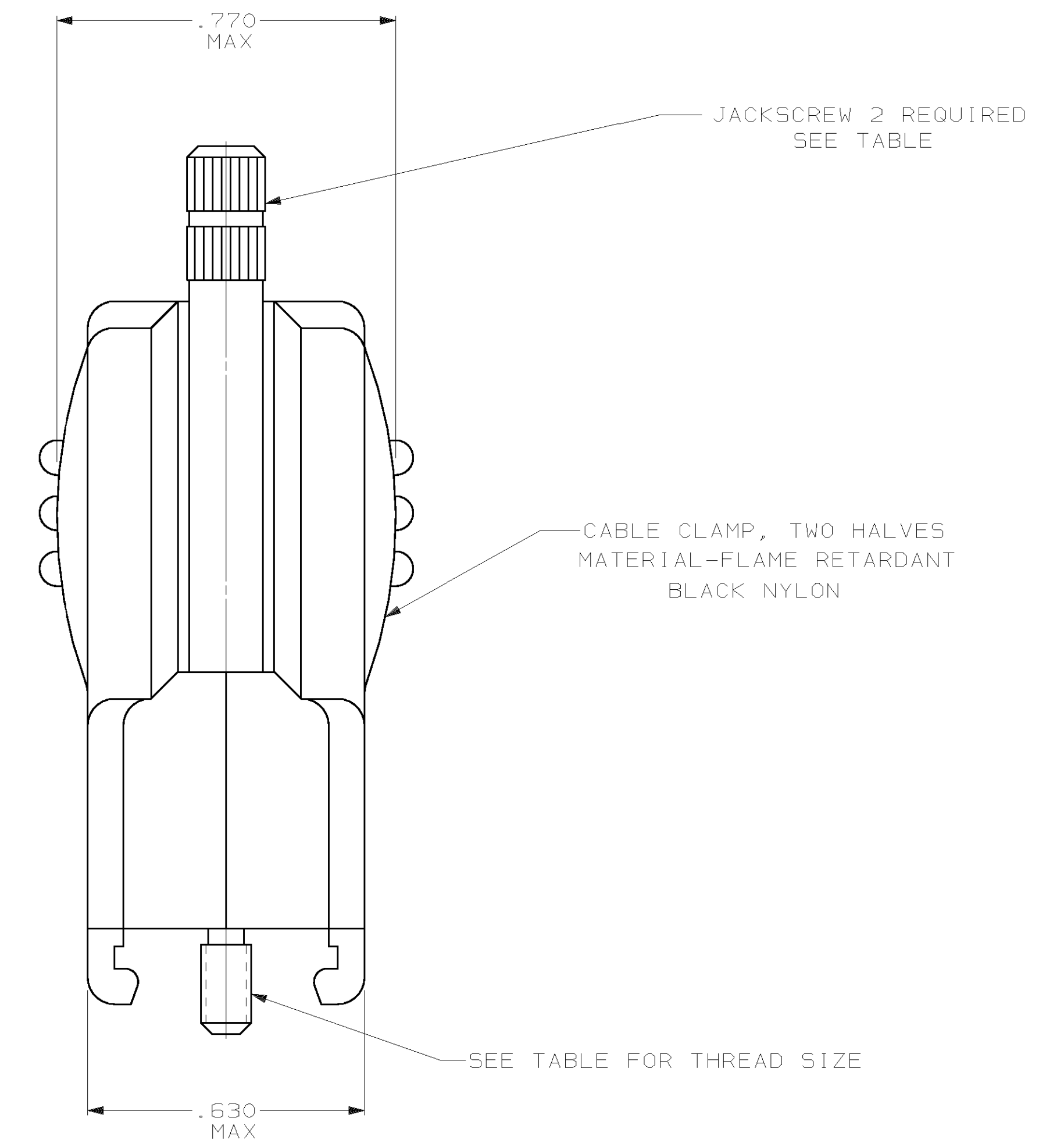


SET 3C

CABLE GATES



#4-40 x .500 LONG STEEL
 FIL HEAD SCREW & HEX NUT
 2 PLACES, PLATED CLEAR
 ZINC PER QQ-Z-325



	4-40	PASSIVATED	STAINLESS STEEL	745121-2
OBSOLETE	M3 x 0.5	Δ	STEEL	745121-1
	SCREW THREAD	FINISH	MATERIAL	PART NO.
	JACKSCREW			

- 1. PARTS PACKAGED UNASSEMBLED.
- 2. ZINC PER QQ-Z-325, BLACK.

DO NOT SCALE PRINT. UNLESS SPECIFIED DIMENSIONS IN INCHES TOLERANCES ON:	DR 5/7/90 A. STAUB BG	AMP INCORPORATED Harrisburg, Pa. 17105		
2 PLC DEC ± .005	CHK 6-15-90 W.G. LENKER			
3 PLC DEC ± .005	APPD 7-10-90 J. WESTMAN	NAME		
ANGLES ± -	APPD 7-16-90 J. ASSINI	STRAIN RELIEF ASSEMBLY, SIZE 3, 25 POSITIONS, AMPLIMITE		
MATERIAL	PRODUCT SPEC	SIZE	FSCM NO	DRAWING NO
SEE CALLOUT	-	D	00779	745121
FINISH	APPLICATION SPEC	SCALE		SHEET
SEE CALLOUT	-	4:1		1 OF 1
WEIGHT				