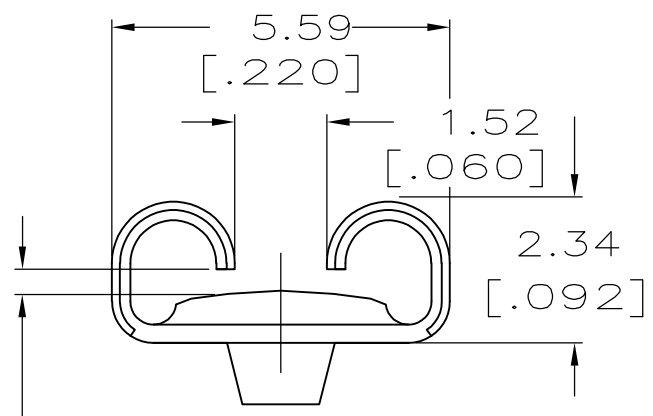
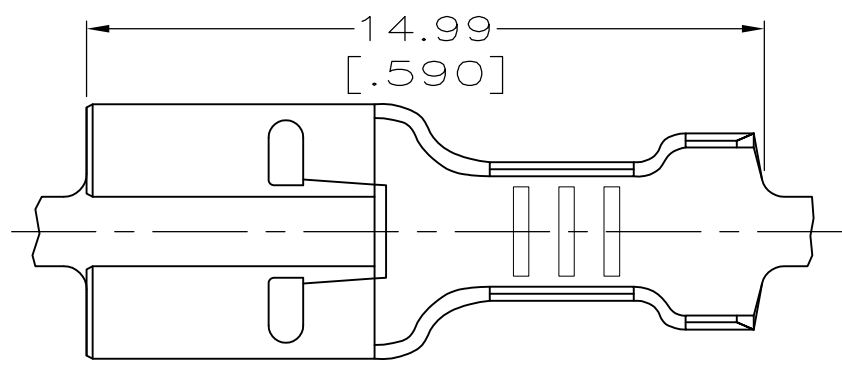


THIS DRAWING IS UNPUBLISHED. RELEASED FOR PUBLICATION
 © COPYRIGHT - By - ALL RIGHTS RESERVED.

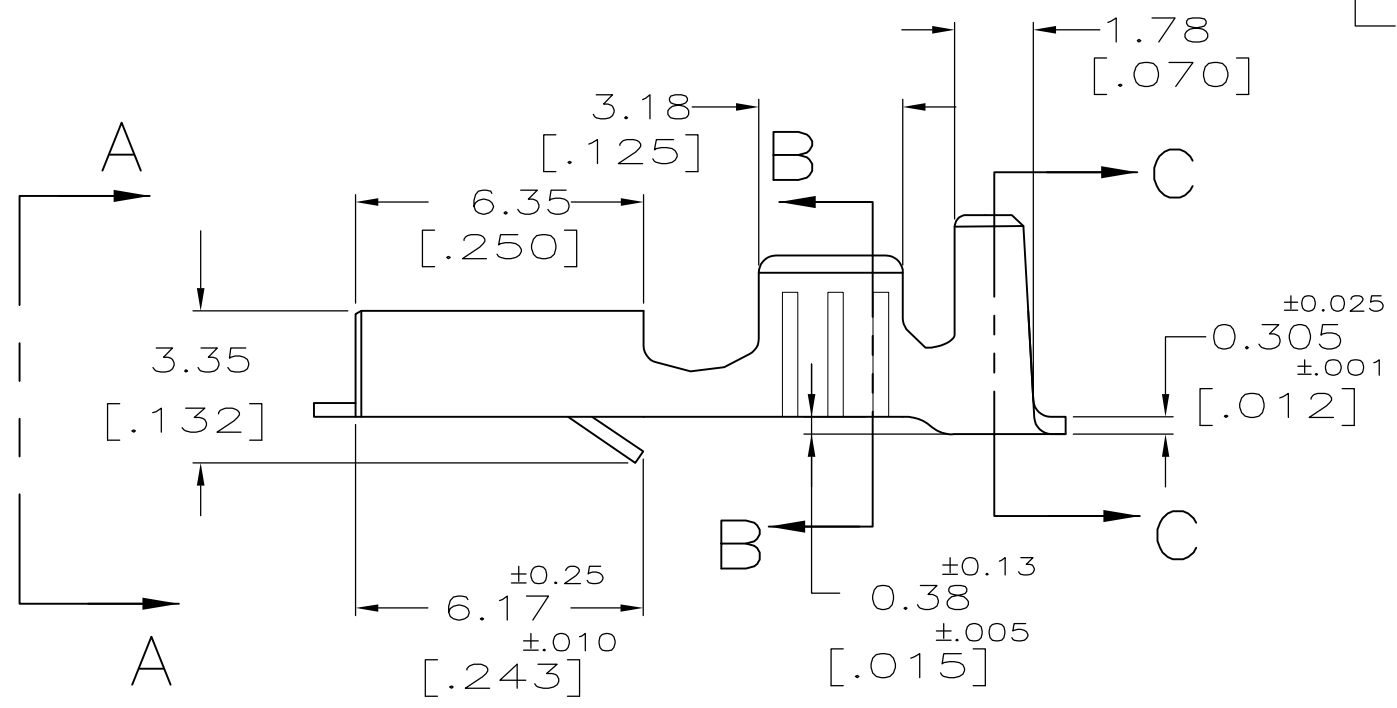
LOC	DIST	REVISIONS					
AF	50	P	LTR	DESCRIPTION	DATE	DWN	APVD
			K	REVISED PER ECR-12-002864	24MAY12	KH	PD

1 CONTINUOUS STRIP ON REELS

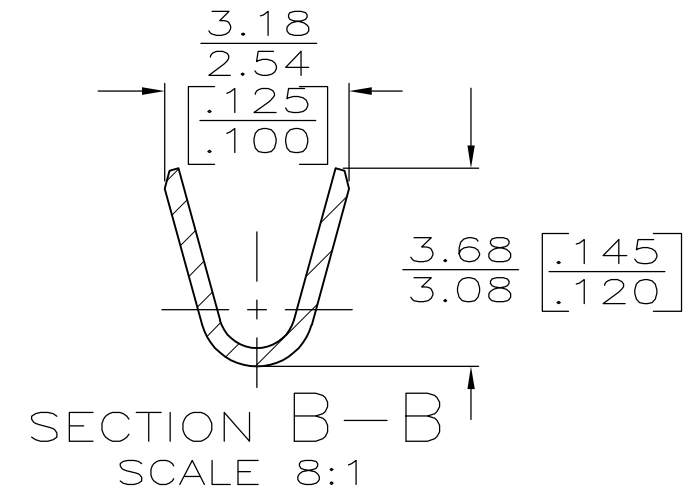
3 OBSOLETE PARTS: OBSOLETE CIS STREAMLINING PER D.RENAUD/D.SINISI



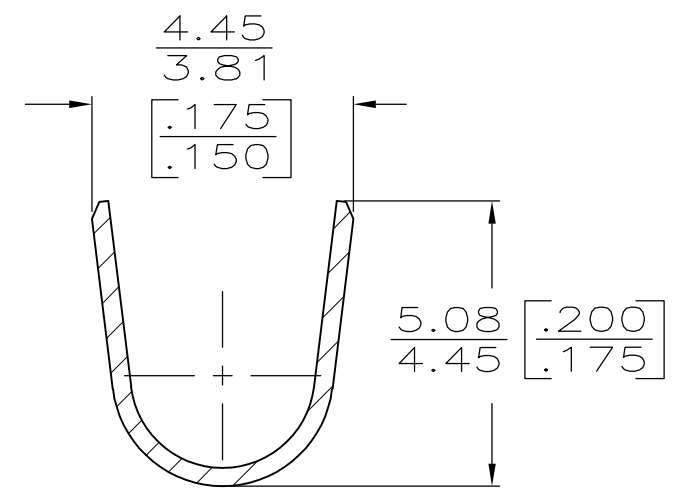
FITS 4.75 [.187] SERIES TAB



VIEW A-A
SCALE 8:1



SECTION B-B
SCALE 8:1



SECTION C-C
SCALE 8:1

3 OBSOLETE	TIN	2.28 - 3.30	0.3 - 1.4mm ²	62773-2
	-	[.090 - .130]	[22-16]	62773-1
	FINISH	INSUL RANGE	WIRE SIZE	MATING TAB THK ±0.025 [.001] PART NO



THIS DRAWING IS A CONTROLLED DOCUMENT.		DWN JR RUTH 10/31/89	TE Connectivity RECEPTACLE, FASTIN-FASTON™, .187 SERIES	
DIMENSIONS: mm [INCHES]	TOLERANCES UNLESS OTHERWISE SPECIFIED:	CHK MS FEHER 10/31/89		
	0 PLC ± -	APVD J GILLESPIE 10/31/89	NAME	
	1 PLC ± -	PRODUCT SPEC	-	
	2 PLC ± -	APPLICATION SPEC	-	
	3 PLC ± 0.38 [.015]	FINISH	SIZE	CAGE CODE
MATERIAL #4H BRASS	4 PLC ± -	SEE TABLE	DRAWING NO	
	ANGLES ± -		A300779 C-62773	
		WEIGHT	RESTRICTED TO	
		-	-	
		CUSTOMER DRAWING	SCALE	SHEET
			6:1	1 OF 1
				REV K