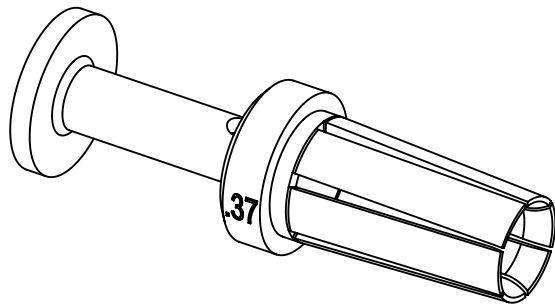



wire gauge: 0,37 mm<sup>2</sup> / AWG 22  
 stripping length: 6,5 mm  
 coating: silver plated



	All Dimensions in mm Original Size DIN A4	Scale 10:1	Free size tol.		Ref.
	All rights reserved Department EL PD - DE	Created by HOLLERT	Inspected by RIEPE	Standardisation TIEMANNA	Date 2013-11-28
Title Han-Yellock Crimp contact female 0.37mm <sup>2</sup>					Doc-Key / ECM-Nr. 100189029/UGD/006/E 500000068615
HARTING Electric GmbH & Co. KG D-32339 Espelkamp		Type TB	Number 11 05 000 6201		Rev. E
					Page 1/1