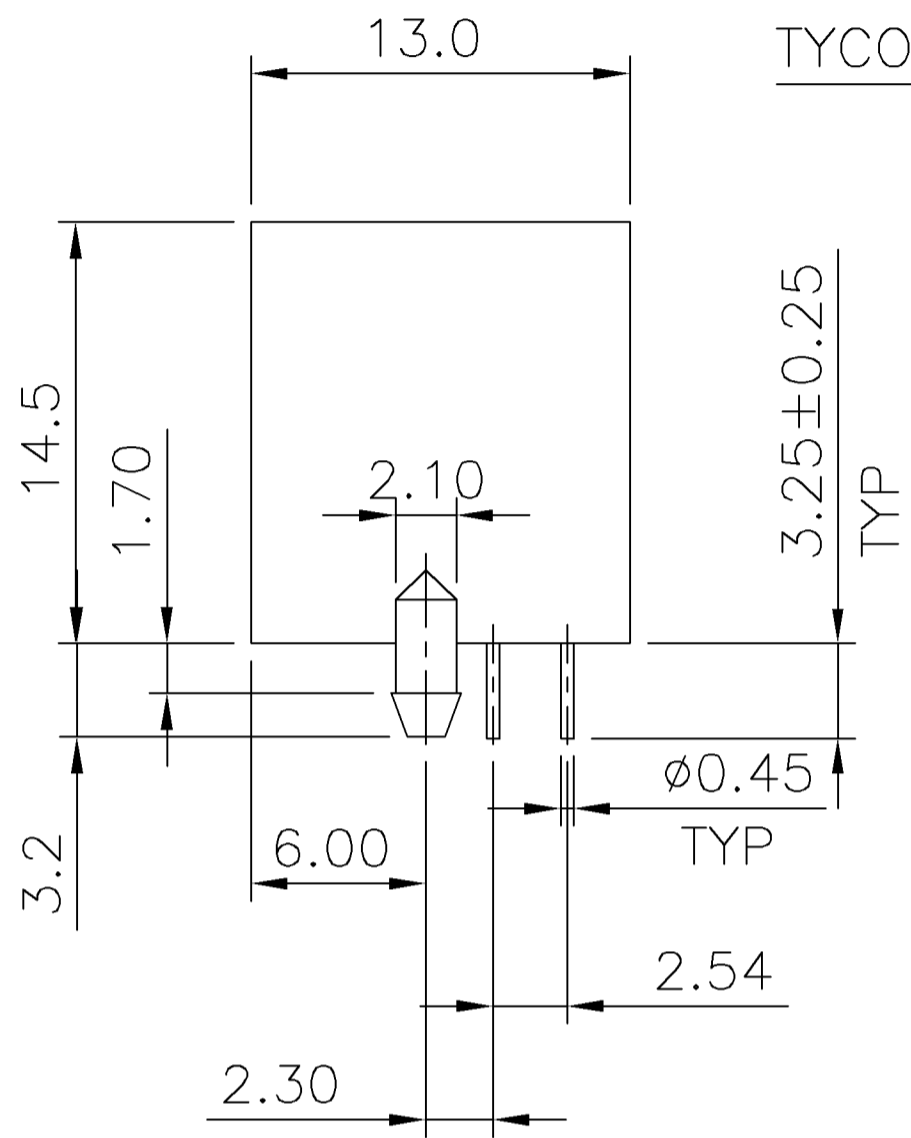
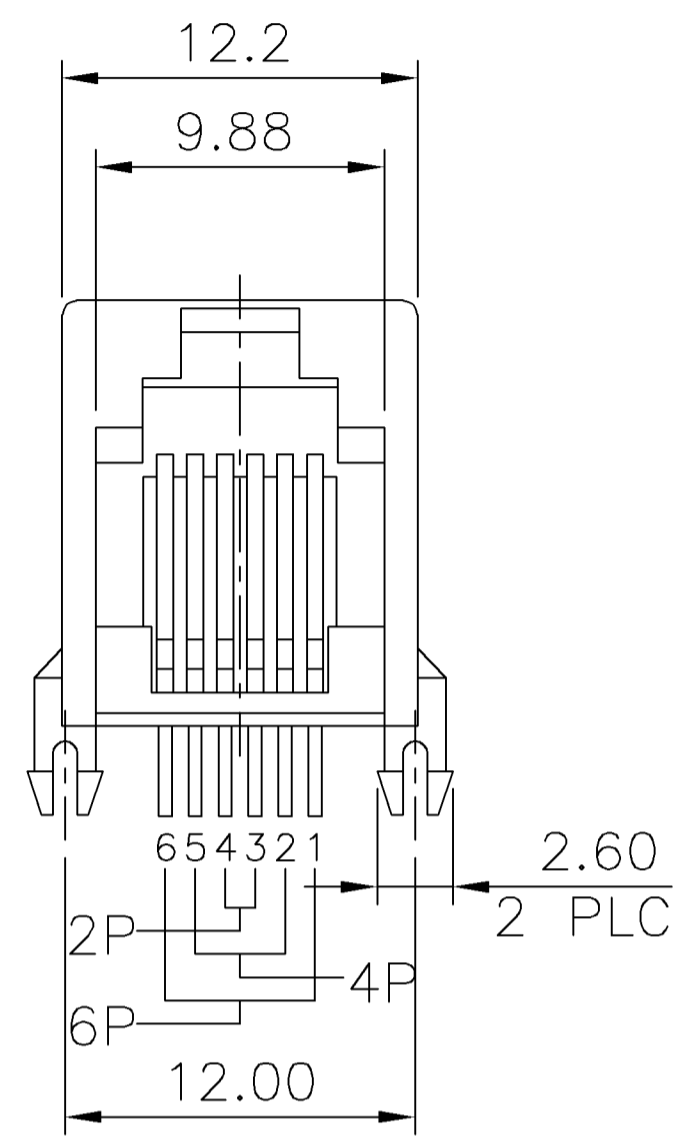
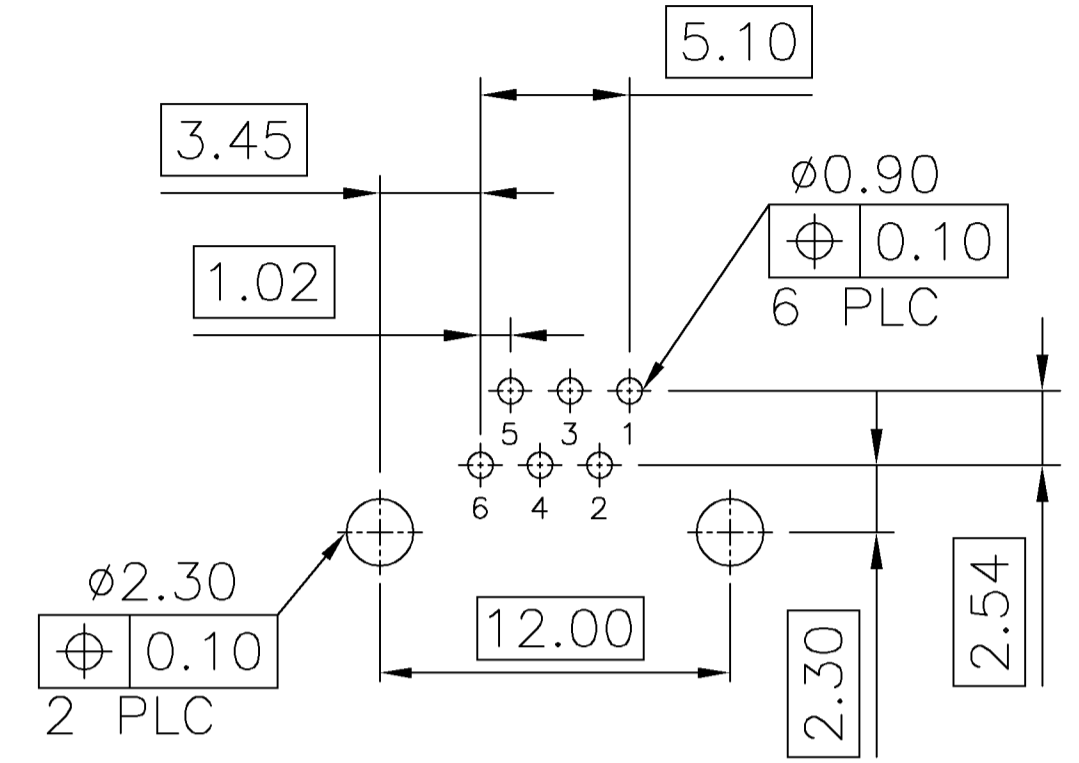
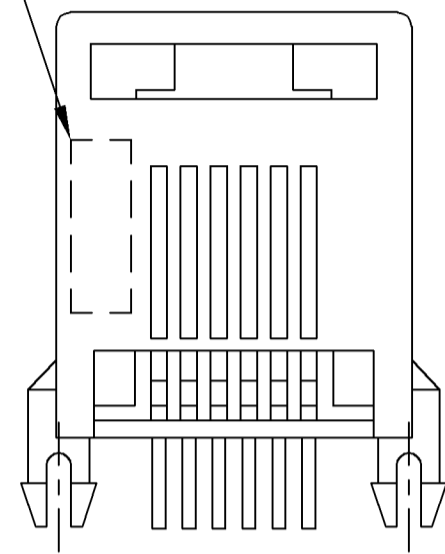


THIS INFORMATION IS CONFIDENTIAL AND IS DISCLOSED TO YOU ON CONDITION THAT NO FURTHER DISCLOSURE IS MADE BY YOU TO OTHER THAN AMP PERSONNEL WITHOUT WRITTEN AUTHORIZATION FROM AMP (TAIWAN) LTD. DIMENSIONS IN MILLIMETERS. DO NOT SCALE PRINT.

METRIC  
3RD ANGLE PROJECTION  
NUMBER C-1775445



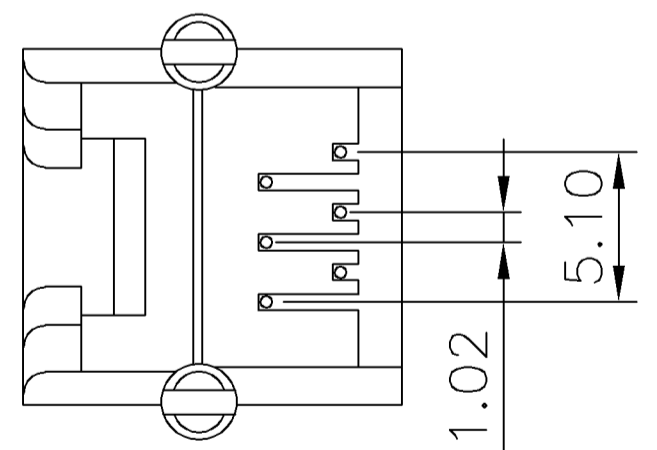
TYCO LOGO



RECOMMENDED PCB LAYOUT (THICKNESS: 1.6mm)  
DIMENSION TOLERANCE: 1 PLC: ±0.1 2PLC: ±0.05

NOTE:

- MATERIAL:  
HOUSING: THERMOPLASTIC, UL94V-0, COLOR: BLACK.  
CONTACT: PHOSPHOR BRONZE, DIAMETER: 0.45mm.
- FINISH:  
CONTACT: GOLD PLATED (SEE TABLE) ON SOLDER TAILS,  
50u" MIN. NICKEL UNDERPLATED ALL OVER.
- WAVE SOLDER CAPABLE TO 265°C PER TYCO SPEC 109-202,  
CONDITION B.

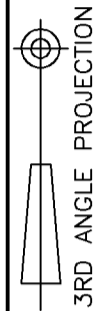


6P6C	50μ"	1775445-4
	30μ"	1775445-3
	15μ"	1775445-2
	6μ"	1775445-1
POS/CONT.	MIN. GOLD THICKNESS	PART NUMBER

TOLERANCES UNLESS OTHERWISE SPECIFIED: 0 PLC ±0.5 1 PLC ±0.3 2 PLC ±0.2 3 PLC ±0.1 ANGLES ±3'	DWN	O. HU	<b>tyco</b> TYCO HOLDINGS (BERMUDA) <b>Electronics</b> VII LTD. TAIWAN BRANCH NAME			
		12-SEP-2006				
MATERIAL  SEE NOTE	CHK	S. HOU	MODULAR JACK, RJ11, LOW PROFILE			
		12-SEP-2006				
FINISH  SEE NOTE	APVD	W.J. KE	LOC	SIZE	DRAWING NO	REV
		12-SEP-2006	DW	A <sub>3</sub>	C-1775445	A
	PRODUCT SPEC	108-57527	SCALE	SHEET		
	QUALIFICATION TEST REPORT	501-57734	--		1 OF 2	
	WEIGHT	1.6 gram				

A	FIRST RELEASED		OH	10AUG	
			SH	2006	
LTR	REVISION RECORD	ECN	DWN	CHK	DATE

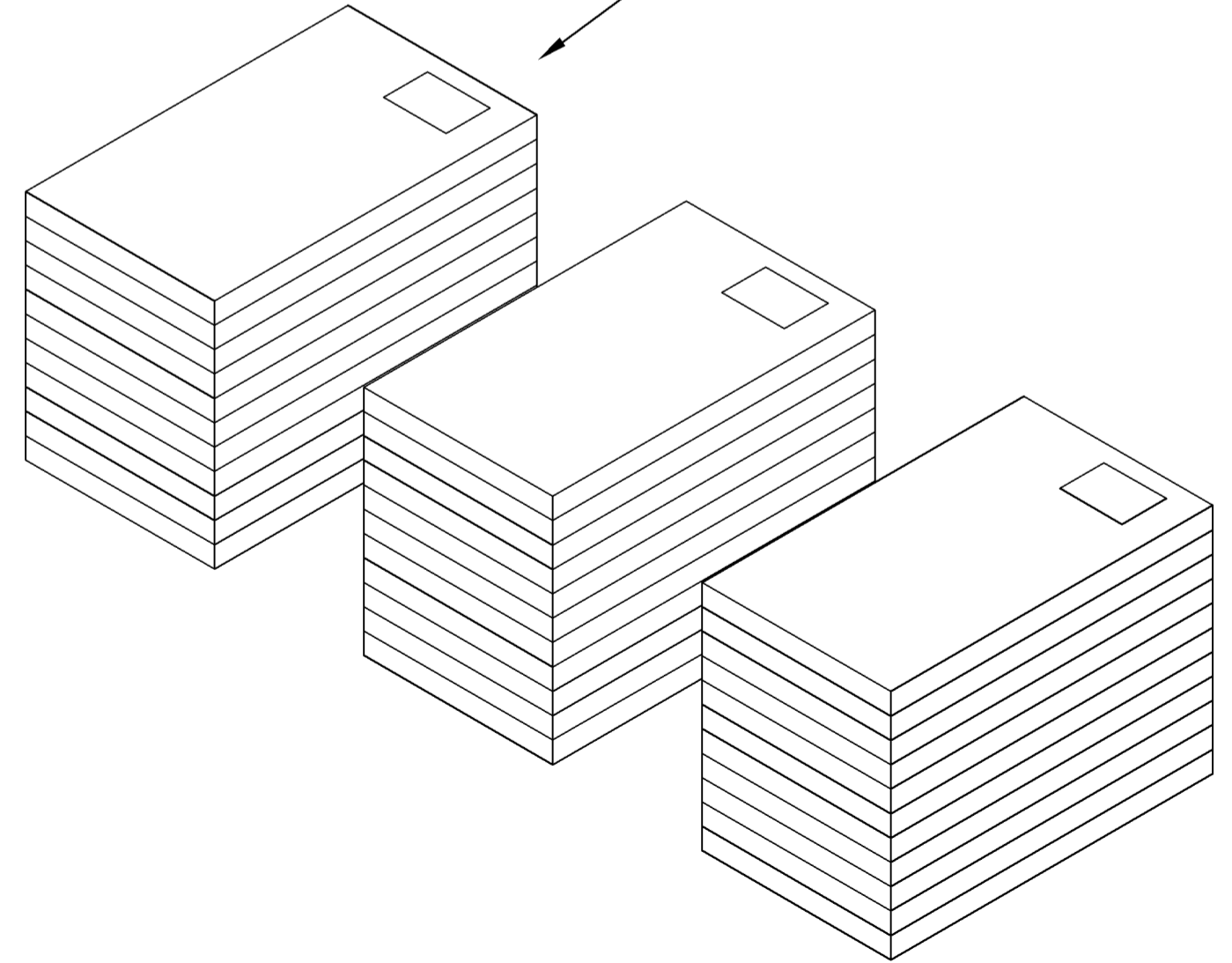
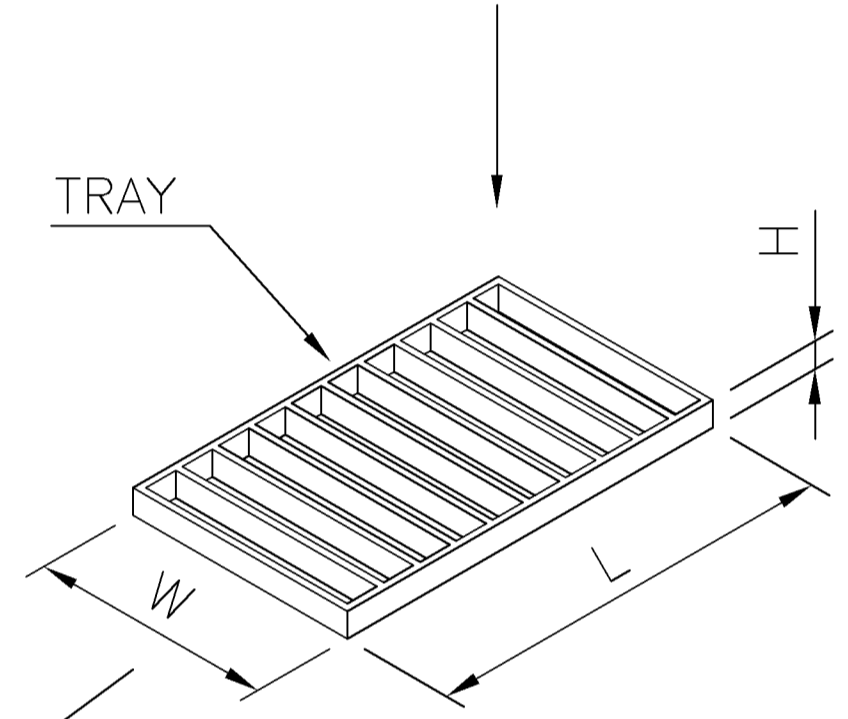
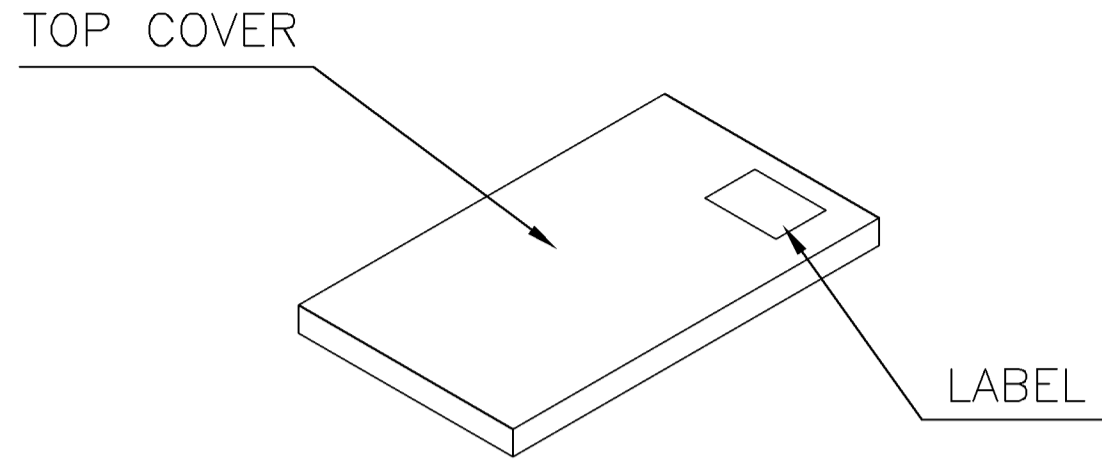
NUMBER  
C-1775445



METRIC

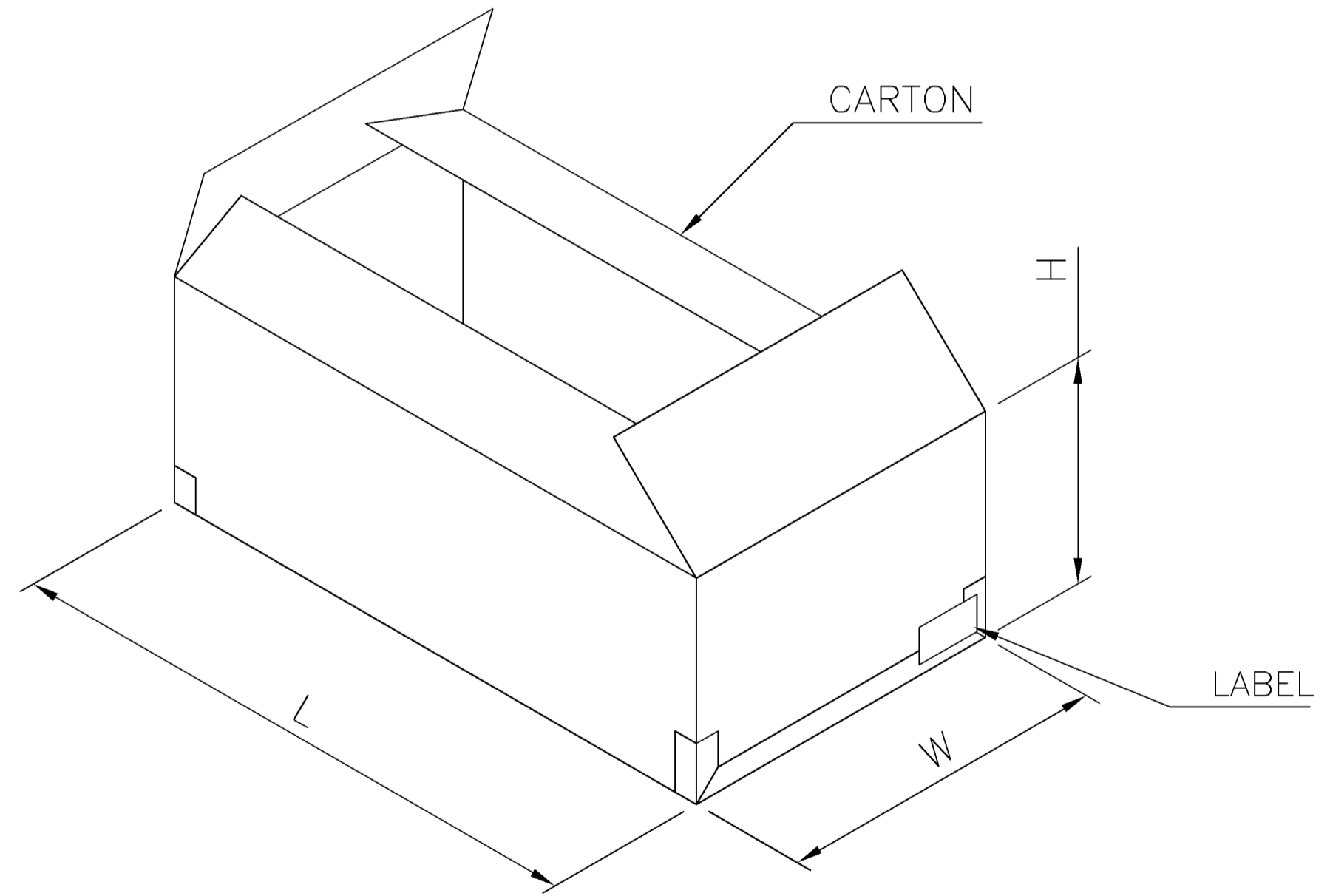
THIS INFORMATION IS CONFIDENTIAL AND IS DISCLOSED TO YOU ON CONDITION THAT NO FURTHER DISCLOSURE IS MADE BY YOU TO OTHER THAN AMP PERSONNEL WITHOUT WRITTEN AUTHORIZATION FROM AMP (TAIWAN) LTD. DIMENSIONS IN MILLIMETERS. DO NOT SCALE PRINT.

PRINT  
DW



NOTES:

1. MATERIAL:
  - 1.1 TRAY:PVC
  - 1.2 SHIPPING CARTON: CORRUGATED FIBERBOARD
2. DIMENSION:
  - 2.1 TRAY: L=290mm, W=170mm, H=16mm.
  - 2.2 SHIPPING CARTON: L=560mm, W=310mm, H=210mm.
3. QUANTITY:
  - 3.1 PRIMARY PACKING: 120 PCS/TRAY
  - 3.2 SECONDARY PACKING: 33 TRAY/CARTON (3,960 PCS)
4. WEIGHT
  - 4.1 NET WEIGHT: 6.5 Kg (Ref.)
  - 4.2 GROSS WEIGHT: 8 Kg (Ref.)



TOLERANCES UNLESS OTHERWISE SPECIFIED:		DWN	O. HU	<b>tyco</b> TYCO HOLDINGS (BERMUDA)	
0 PLC	±0.5		12-SEP-2006	VII LTD. TAIWAN BRANCH	
1 PLC	±0.3	CHK	S. HOU	<b>Electronics</b>	
2 PLC	±0.2		12-SEP-2006	NAME	
3 PLC	±0.1			MODULAR JACK, RJ11,	
ANGLES	±3'			LOW PROFILE	
MATERIAL	SEE NOTE	APVD	W.J. KE		
			12-SEP-2006		
FINISH	SEE NOTE	PRODUCT SPEC	--	LOC	SIZE
		APPLICATION SPEC	--	DW	A <sub>3</sub>
		WEIGHT	--	DRAWING NO	C-1775445
				REV	A
				SCALE	--
				SHEET	2 OF 2

SEE SHEET 1.	ECN	DWN	CHK	DATE
LTR	REVISION RECORD			