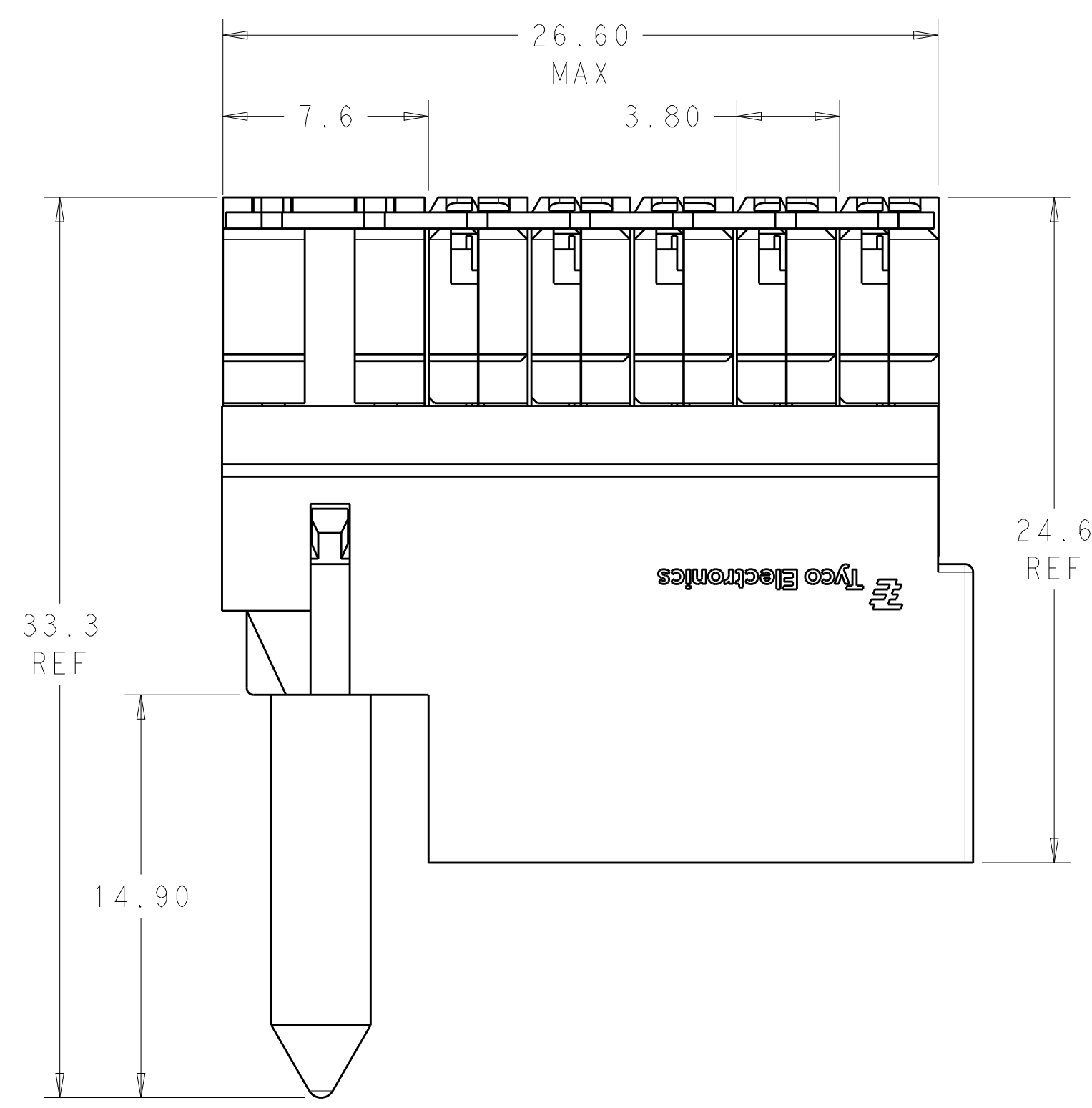
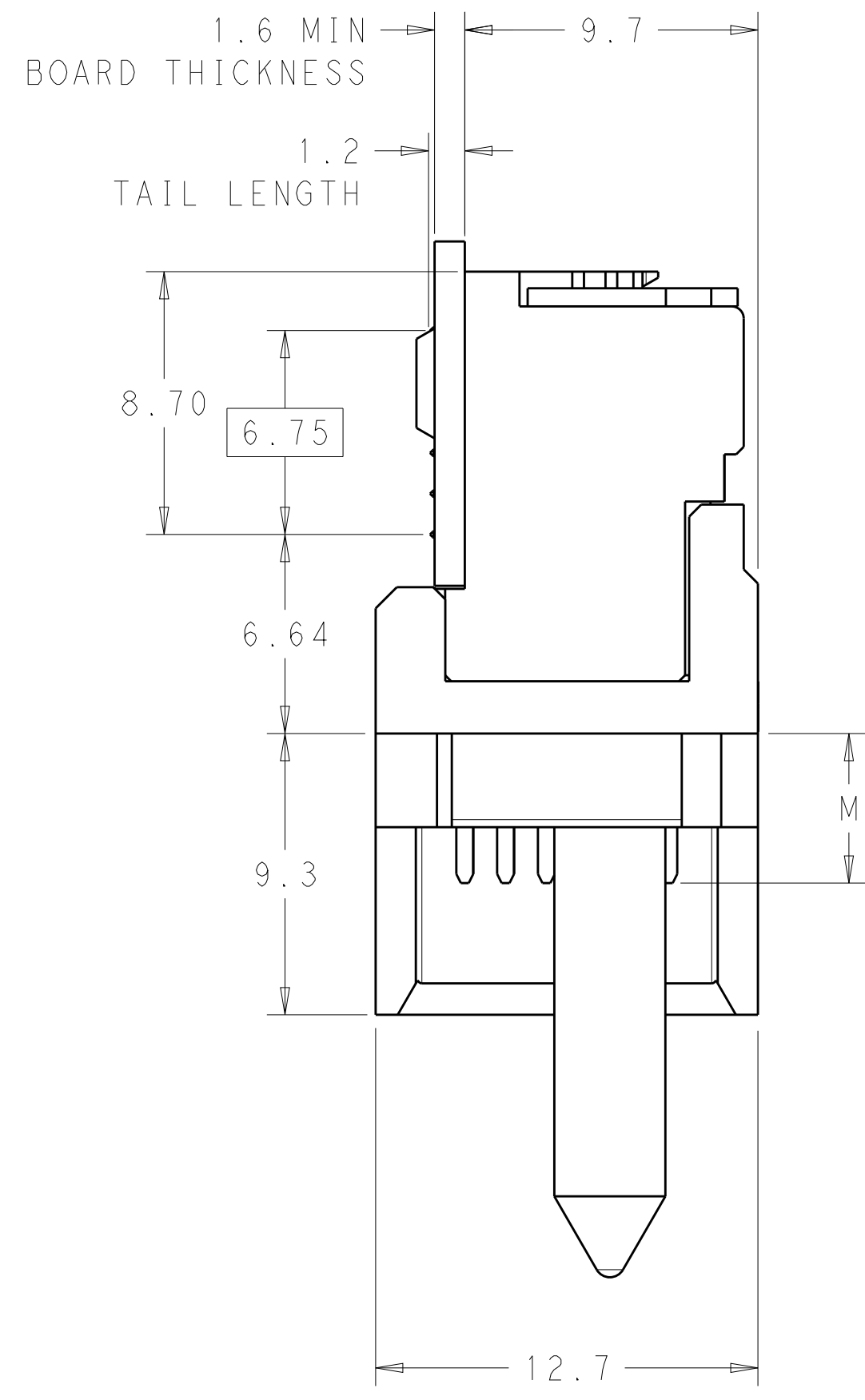
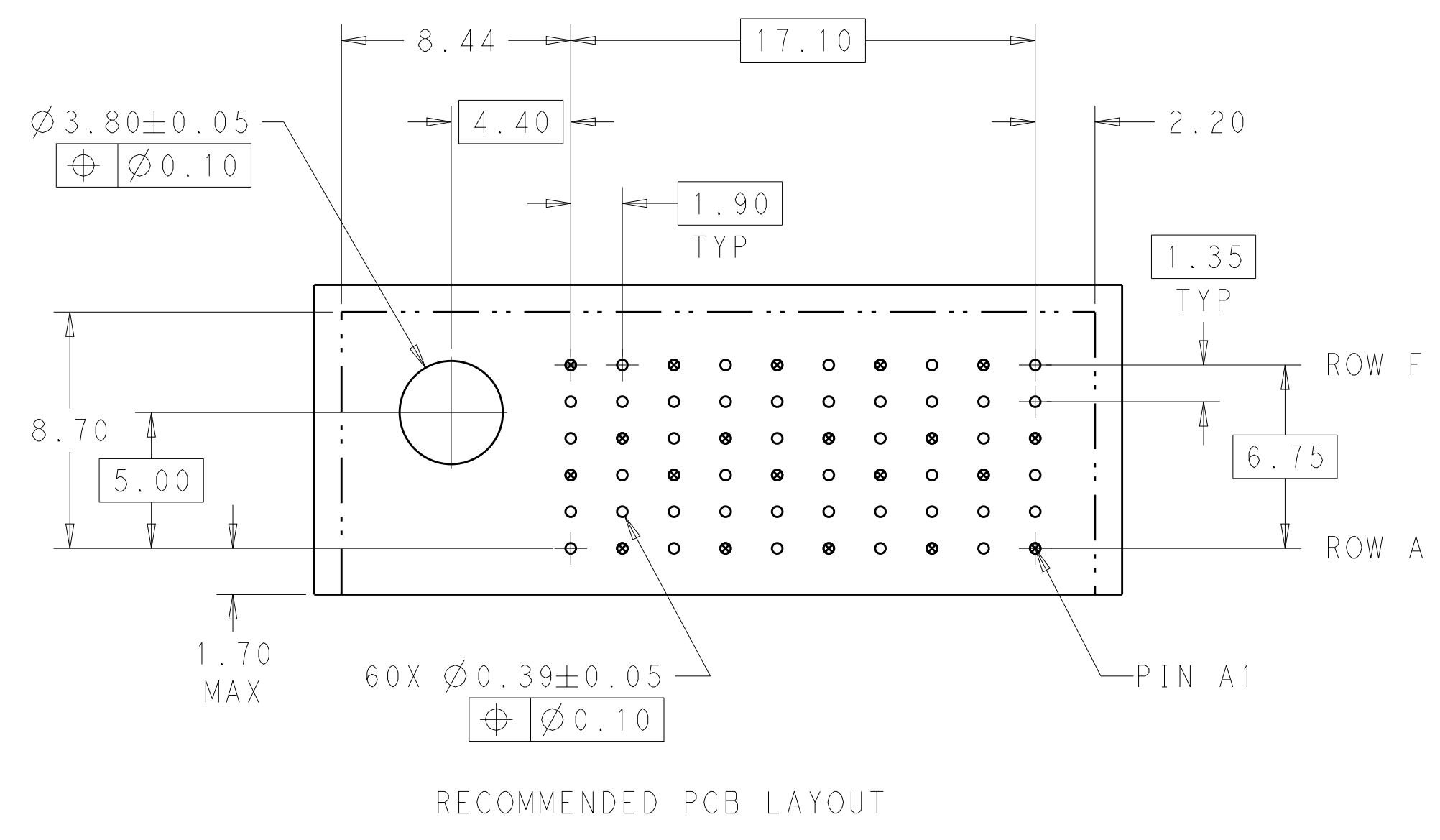
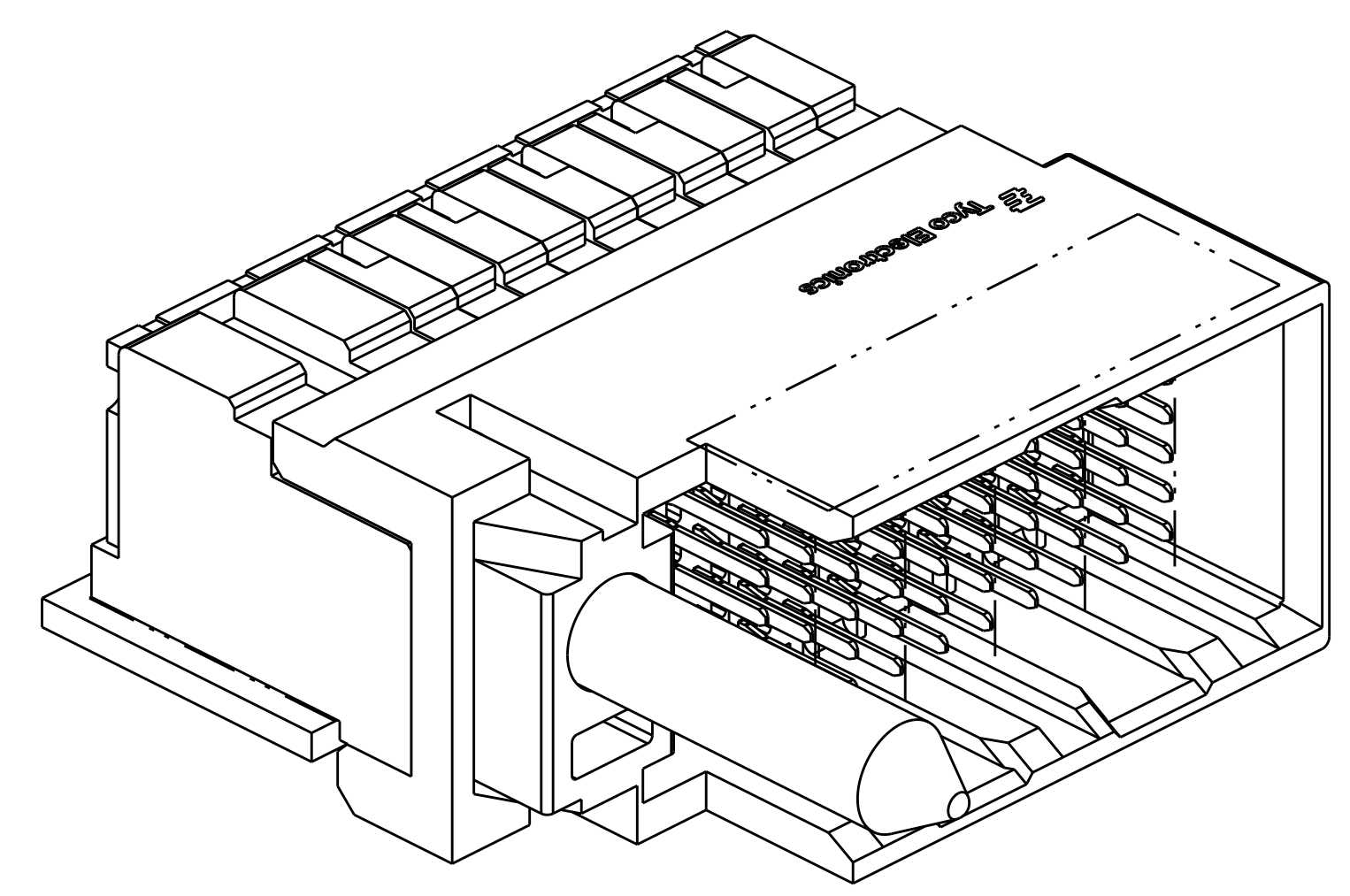
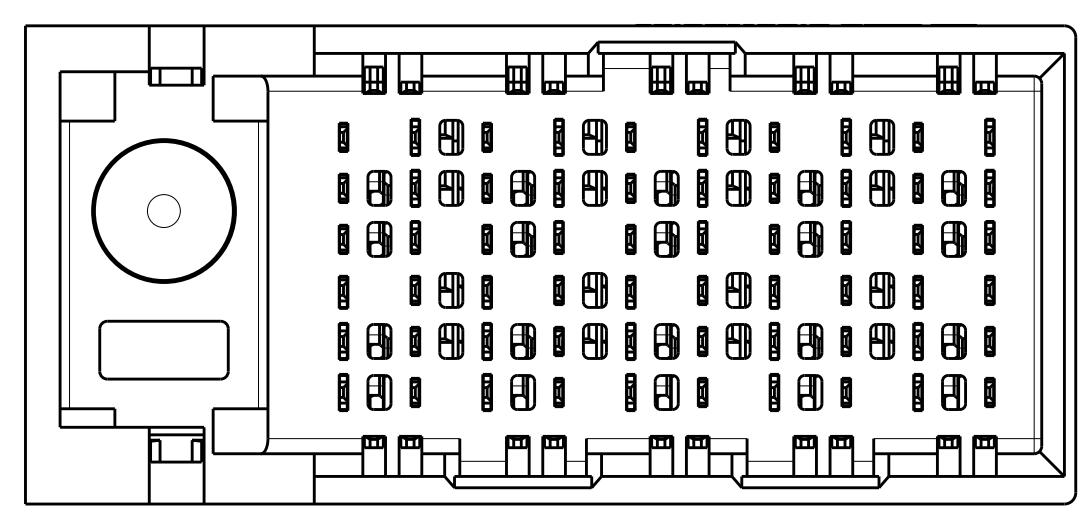


| REVISIONS | | | | |
|-----------|-----|---------------------------|-----------|-------|
| P. | LTN | DESCRIPTION | DATE | APVD |
| B1 | | REVISED PER ECO-15-003239 | 24MAR2015 | AP DD |



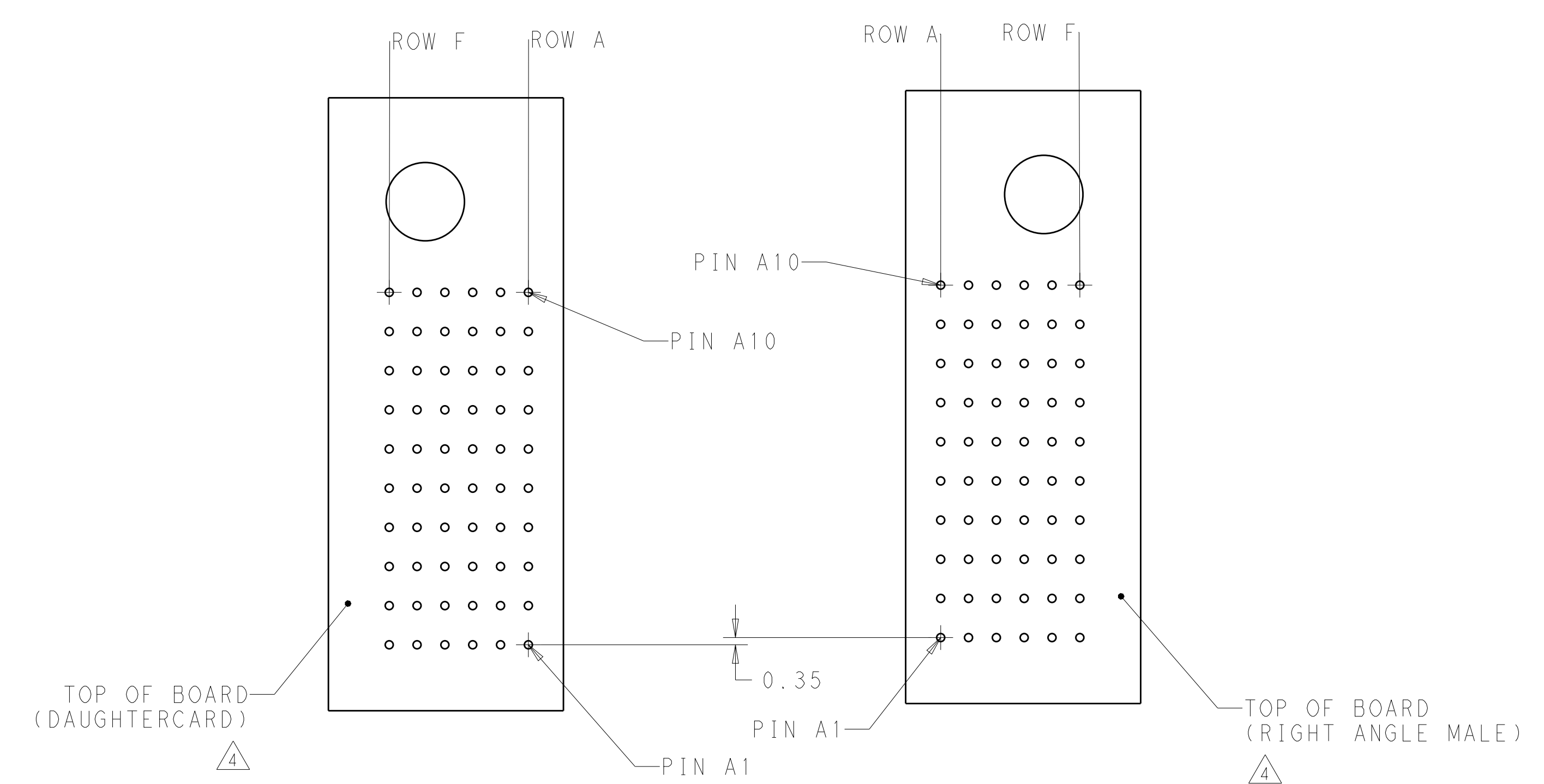
- 1 MATERIAL:
HOUSING: LCP, GLASS FILLED, UL94V-0.
TERMINALS: HIGH PERFORMANCE COPPER ALLOY.
- 2 FINISH:
30µm SELECTIVE GOLD IN CONTACT AREA. SELECTIVE TIN ON PCB TAILS, NICKEL OVERALL.
- 3 FINISH:
30µm SELECTIVE GOLD IN CONTACT AREA. SELECTIVE TIN-LEAD ON PCB TAILS, NICKEL OVERALL.
- 4 LEFT GUIDED RIGHT ANGLE MALE MATES TO RIGHT GUIDED RIGHT ANGLE RECEPTACLE.
- 5. CONNECTOR SUPPLIED WITH MOUNTING SCREW.



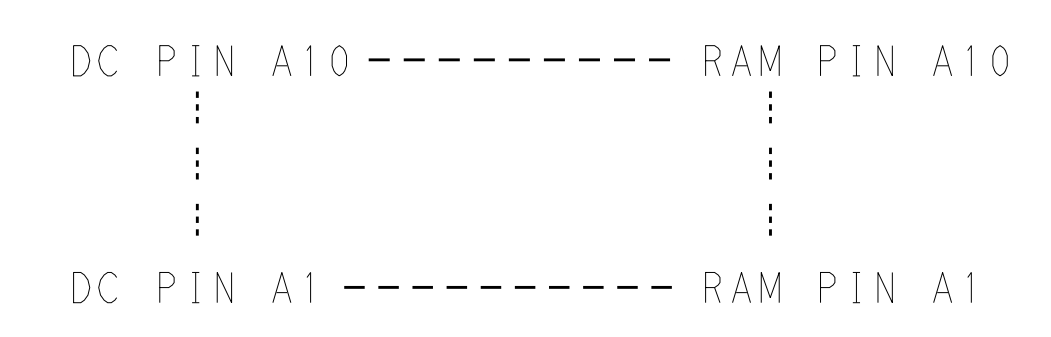
RECOMMENDED PCB LAYOUT

| | | | | | | |
|---|--|------------------------|---------------------|--|---|--|
| THIS DRAWING IS A CONTROLLED DOCUMENT. | | DWN - 07APR2011 | TE Connectivity | NAME: IMPACT, STD. RAM, 2 PAIR, 10 COLUMN, LEFT GUIDED RIGHT END WALL SIGNAL MODULE, 0.39 EYELET | | |
| DIMENSIONS: | | CHK J. EABY 07APR2011 | | PRODUCT SPEC | SIZE: CAGE CODE DRAWING NO. RESTRICTED TO | |
| TOLERANCES UNLESS OTHERWISE SPECIFIED: | | APVD J. EABY 07APR2011 | | APPLICATION SPEC | A100779C=2143017 | |
| mm | | | | WEIGHT | Customer Drawing | |
| 0 PLC ± 1 PLC ±0.25 2 PLC ±0.13 3 PLC ± 4 PLC ± ANGLES ± | | SEE TABLE | SCALE 5:1 | SHEET 1 OF 2 | REV B1 | |

| REVISIONS | | | | |
|-----------|------|-------------|------|-------|
| P. | LTN. | DESCRIPTION | DATE | APVD. |
| - | - | SEE SHEET 1 | - | - |
| | | | | |
| | | | | |



COPLANAR MATED SIGNAL PATHS



| | | |
|--------|-------|-------------|
| | 5.50 | 2143017-6 |
| | 4.90 | 2143017-5 |
| | 5.50 | 2143017-3 |
| | 4.90 | 2143017-2 |
| FINISH | DIM M | PART NUMBER |

REFER TO WWW.TE.COM FOR PRODUCT AVAILABILITY

| | | | |
|---|--|--|---|
| THIS DRAWING IS A CONTROLLED DOCUMENT. | | DWN - 07APR2011 | TE Connectivity |
| DIMENSIONS: | | CHK J. EARY 07APR2011 | |
| mm | | APVD J. EARY 07APR2011 | |
| TOLERANCES UNLESS OTHERWISE SPECIFIED: 0 PLC ± 1 PLC ±0.25 2 PLC ±0.13 3 PLC ± 4 PLC ± ANGLES ± | | NAME: IMPACT, STD. RAM, 2 PAIR, 10 COLUMN, LEFT GUIDED RIGHT END WALL SIGNAL MODULE, 0.39 EYELET | |
| MATERIAL | | SEE TABLE | RESTRICTED TO |
| FINISH | | SEE TABLE | SIZE: CAGE CODE: DRAWING NO: A100779C=2143017 |
| WEIGHT | | Customer Drawing | SCALE: 5:1 SHEET 2 OF 2 REV: B1 |