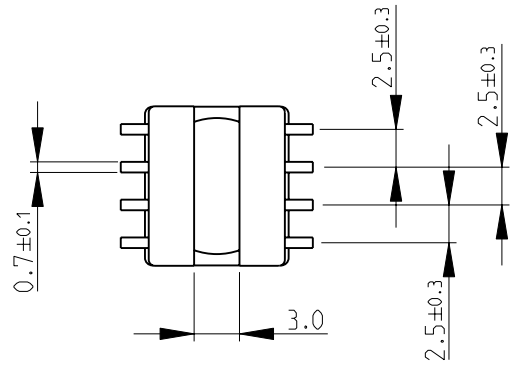
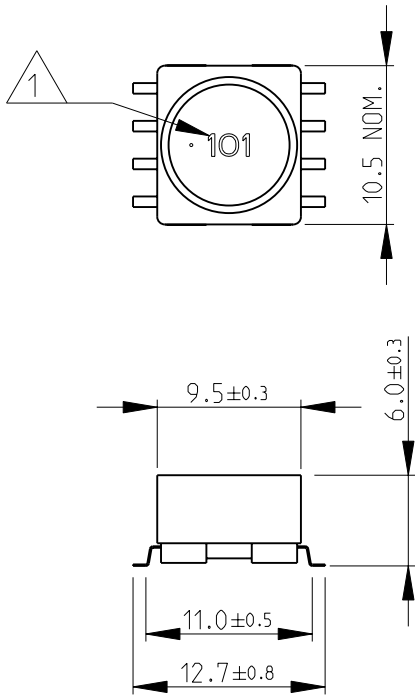
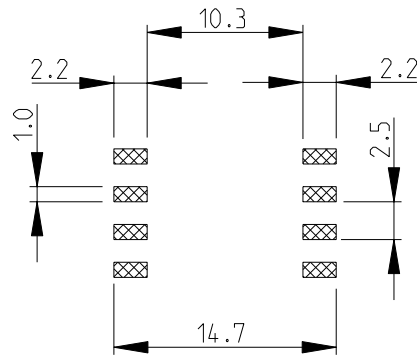


LOC	DIST	REVISIONS					
E	B	P	LTR	DESCRIPTION	DATE	DWN	APVD
			BA	NEW RELEASE	14-NOV-08	SM	St.P

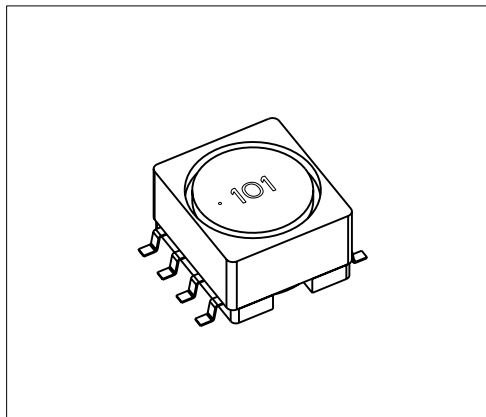


RECOMMENDED LAND PATTERN



- 1 INDUCTANCE CODE
- 2 FOR FURTHER INFORMATION SEE DATA SHEET FOR 3632 SERIES-SHIELDED SMD POWER INDUCTORS

RoHS Compliant



2008  
RELEASED FOR PUBLICATION  
THIS DRAWING IS UNPUBLISHED.  
© COPYRIGHT 2008 BY TYCO ELECTRONICS CORPORATION. ALL RIGHTS RESERVED.

DIMENSIONS: mm	DWN	14-NOV-08	MATERIAL	-	FINISH	-
	CHK	14-NOV-08	Tyco Electronics Corporation Dorcan, Swindon, SN3 5HH			
TOLERANCES UNLESS OTHERWISE SPECIFIED:	APVD	14-NOV-08				
0 PLC ±0.2	PRODUCT SPEC	-	NAME SHIELDED SMD POWER INDUCTOR SERIES 3632A			
1 PLC ±0.1	APPLICATION SPEC	-	SIZE	CAGE CODE	DRAWING NO	RESTRICTED TO
2 PLC ±-	WEIGHT	-	A 4	00779	© = 1676944	-
3 PLC ±-	CUSTOMER DRAWING					
4 PLC ±-	SCALE 2:1 SHEET 1 OF 1 REV BA					
ANGLES ±5°						