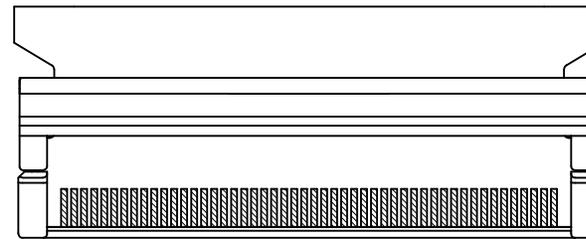
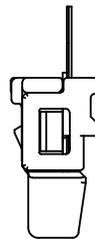
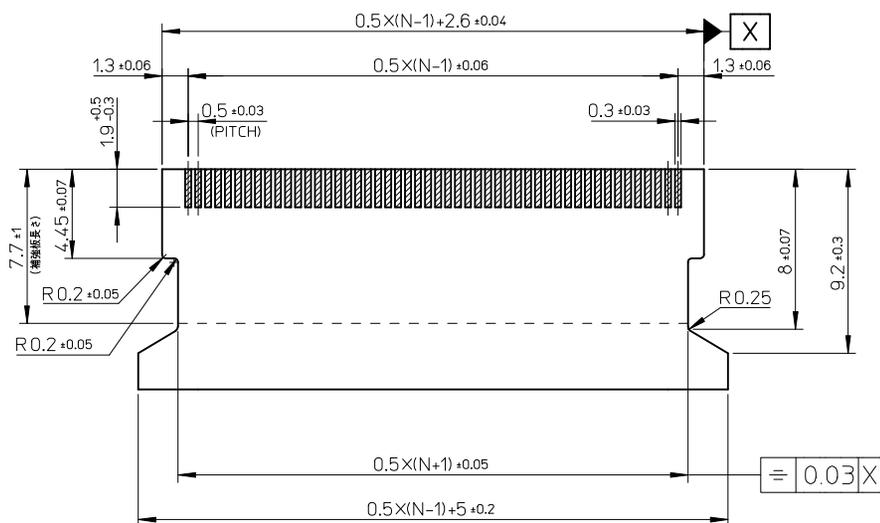
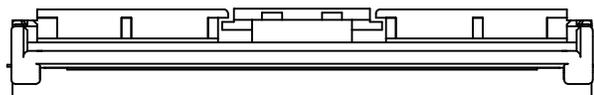


△ ジャケット
JACKET



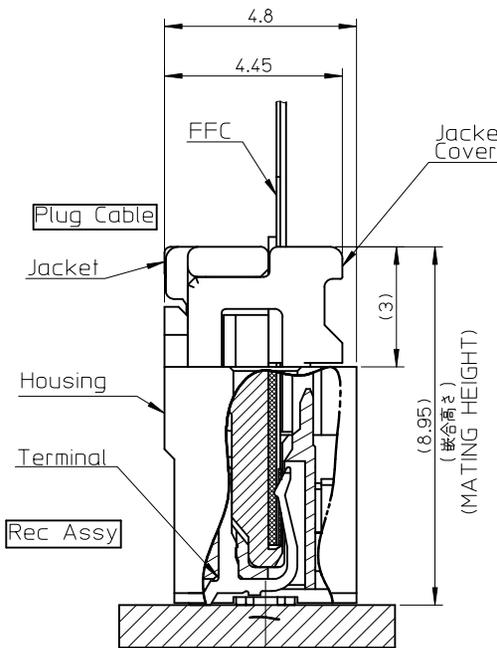
△ ジャケットカバー
JACKET COVER



≡ 0.03 X

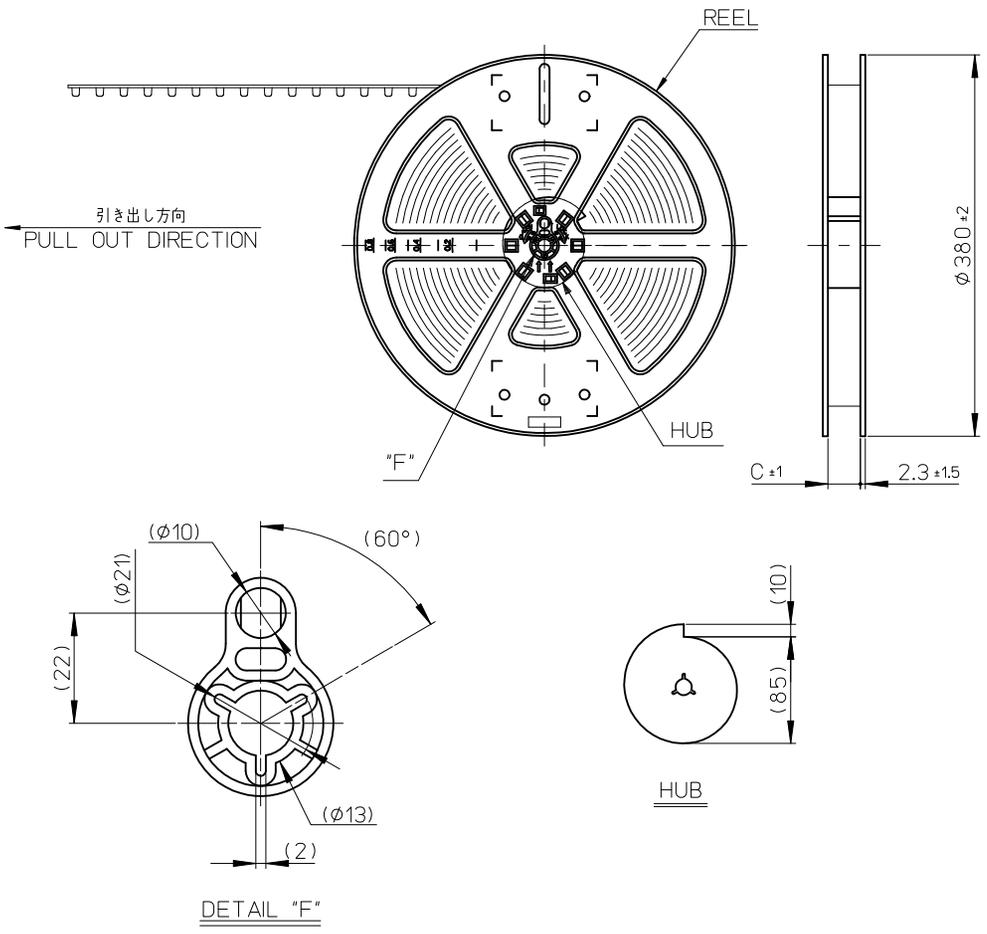
コネクタ接点部

適合FFC推奨寸法
APPLICABLE FFC
RECOMMENDED DIMENSION
(仕上がり厚さ: コネクタ接点部 0.3±0.03)



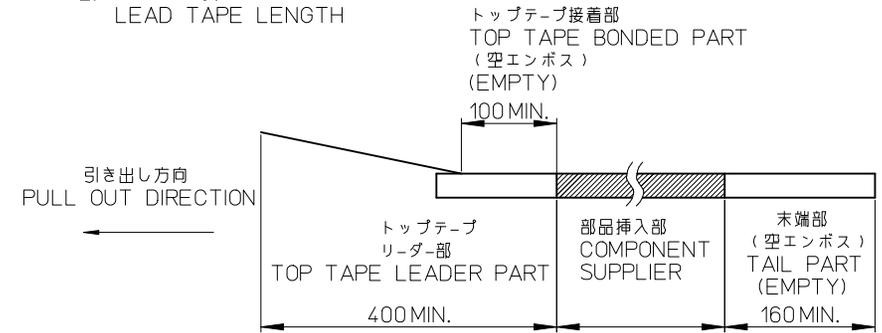
嵌合断面図

| | | | | | | |
|--|---------------------------------------|---|----------------------------|---|--|-------------------------------|
| SEE SHEET 1 OF 2 EC NO: J2010-1937 DRWN: YMORI 2010/03/25 CHKD: MATSUURA 2010/03/25 APPR: KMORIKAWA 2010/05/10 | GENERAL TOLERANCES (UNLESS SPECIFIED) | | DIMENSION STYLE MM ONLY | SCALE // | DESIGN UNITS METRIC | THIRD ANGLE PROJECTION |
| | 10 UNDER | ± 0.2 | DRAWN BY H. IJIMA | DATE 06/01/13 | TITLE 0.5 FFC TO BOARD CONN REC HSG ASSY(ST) | |
| | 10 OVER 30 UNDER | ± 0.25 | CHECKED BY K. TAKAHASHI | DATE 06/01/13 | MOLEX INCORPORATED | |
| | 30 OVER | ± 0.3 | APPROVED BY H. HIRATA | DATE 06/01/13 | MATERIAL NO. 501786-**11 | DOCUMENT NO. SD-501786-001 |
| A | REV | DESCRIPTION ANGULAR ±1 ° DRAFT WHERE APPLICABLE MUST REMAIN WITHIN DIMENSIONS | SIZE A3 | THIS DRAWING CONTAINS INFORMATION THAT IS PROPRIETARY TO MOLEX INCORPORATED AND SHOULD NOT BE USED WITHOUT WRITTEN PERMISSION | | |

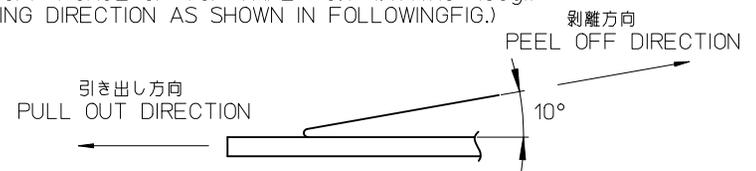


NOTES

1. 梱包数量：900 個ノリール
NUMBER OF CONNECTORS:900 PCS/REEL
2. リードテープ長さ
LEAD TAPE LENGTH



3. トップテープの剥離強度：0.1~1.47N(10~150gf)
(剥離方向は下図参照)
剥離速度：300mm/MIN.(参考)
PEEL-OFF FORCE OF TOP TAPE : 0.1~1.47N(10~150gf)
(PEELING DIRECTION AS SHOWN IN FOLLOWINGFIG.)

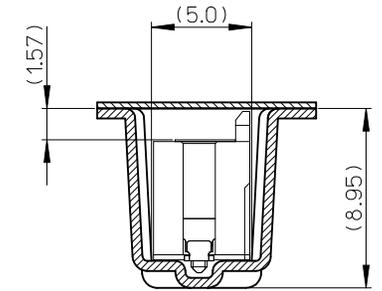
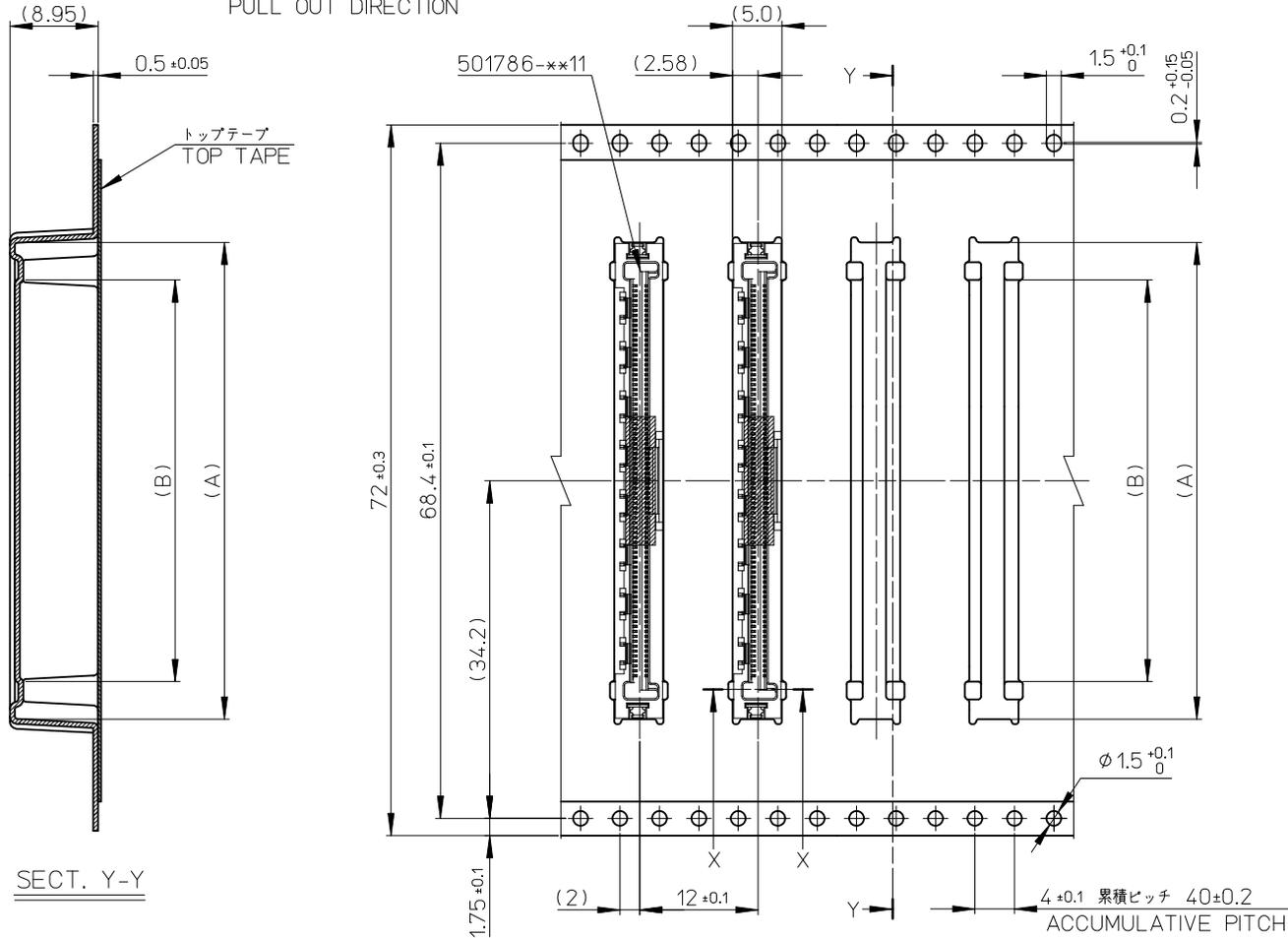


4. 製品詳細寸法については図面 SD-501786-001を参照下さい。
RE DETAILED DIMENSION, SEE SD-501786-001.
5. 材料(MATERIAL)
キャリアテープ(CARRIER TAPE) : ポリスチレン(POLYSTYRENE)
トップテープ(TOP TAPE) : PET, PE, PE
リール(REEL) : ポリスチレン(POLYSTYRENE)
6. ELV及びRoHS適合品
ELV AND RoHS COMPLIANT

| | | | | | | | | | | |
|--|--------------------|--|-------|-------------------------------|------------------|--|------------------------|------------------------|--|--|
| REVISED EC NO: J2010-1937 DRWN:YMORI 2010/03/25 CHKD:MATSUURA 2010/03/25 APPR:KMORIKAWA 2010/05/10 | DESCRIPTION REV | GENERAL TOLERANCES (UNLESS SPECIFIED) | | DIMENSION STYLE MM ONLY | | SCALE --- | DESIGN UNITS METRIC | THIRD ANGLE PROJECTION | | |
| | | 10 UNDER | ±0.2 | DRAWN BY H. IIJIMA | DATE 06/01/17 | TITLE EMBSTP PKG FOR 0.5 FFC TO BOARD ST TYPE | | | | |
| | | 10 OVER 30 UNDER | ±0.25 | CHECKED BY K. TAKAHASHI | DATE 06/01/17 | MOLEX INCORPORATED | | | | |
| | | 30 OVER | ±0.3 | APPROVED BY H. HIRATA | DATE 06/01/17 | MATERIAL NO. 501786-***90 | | | | |
| ANGULAR ±3 ° | | DRAFT WHERE APPLICABLE MUST REMAIN WITHIN DIMENSIONS | | DOCUMENT NO. SD-501786-003 | | SHEET NO. 1 OF 2 | | | | |
| SIZE A3 | | THIS DRAWING CONTAINS INFORMATION THAT IS PROPRIETARY TO MOLEX INCORPORATED AND SHOULD NOT BE USED WITHOUT WRITTEN PERMISSION | | | | | | | | |

10 9 8 7 6 5 4 3 2 1

引き出し方向
PULL OUT DIRECTION



SECT. X-X

SECT. Y-Y

72mm幅キャリアテープ
72mm WIDTH CARRIER TAPE

| | | | | | |
|--------------------------------|------|-------|------|---------------------|-----------|
| 72 | 73.5 | 40.68 | 48.3 | 501786-8090 | 80 |
| キャリアテープ幅 CARRIER TAPE WIDTH | C | B | A | オーダー番号 ORDER NO. | 極数 CKT |

| | | | | | | | |
|---|--|-----------------------------|----------------------------|------------------|---|------------------------|------------------------|
| REVISED EC NO: J2010-1937 DRWN: YMORI 2010/03/25 CHKD: MATSUURA 2010/03/25 APPR: KMORIKAWA 2010/05/10 | GENERAL TOLERANCES (UNLESS SPECIFIED) | | DIMENSION STYLE MM ONLY | | SCALE --- | DESIGN UNITS METRIC | THIRD ANGLE PROJECTION |
| | 10 UNDER | ± 0.2 | DRAWN BY H. IJIMA | DATE 06/01/17 | EMBSTP PKG FOR 0.5 FFC TO BOARD ST TYPE MOLEX INCORPORATED MATERIAL NO. 501786-**90 DOCUMENT NO. SD-501786-003 SHEET NO. 2 OF 2 | | |
| | 10 OVER 30 UNDER | ± 0.25 | CHECKED BY K. TAKAHASHI | DATE 06/01/17 | | | |
| | 30 OVER | ± 0.3 | APPROVED BY H. HIRATA | DATE 06/01/17 | | | |
| ANGULAR | ± 3 ° | MATERIAL NO. 501786-**90 | | | | | |
| A | DRAFT WHERE APPLICABLE MUST REMAIN WITHIN DIMENSIONS | | SIZE A3 | | THIS DRAWING CONTAINS INFORMATION THAT IS PROPRIETARY TO MOLEX INCORPORATED AND SHOULD NOT BE USED WITHOUT WRITTEN PERMISSION | | |