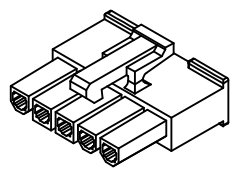
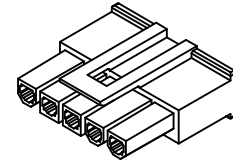


OPTIONAL ENGINEERING NUMBER LOCATION

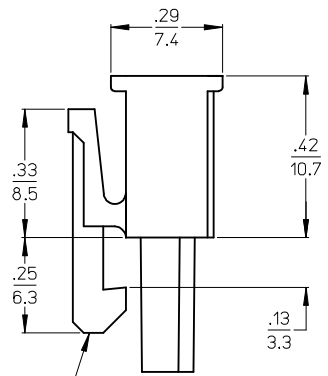
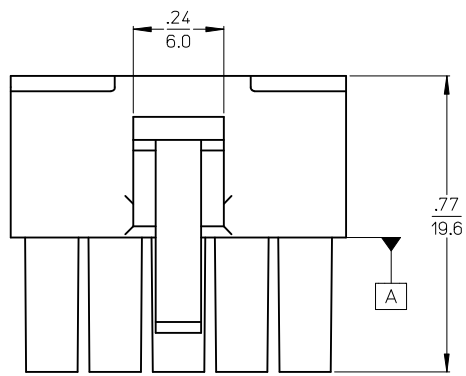


POSITIVE LATCH SCALE 2:1



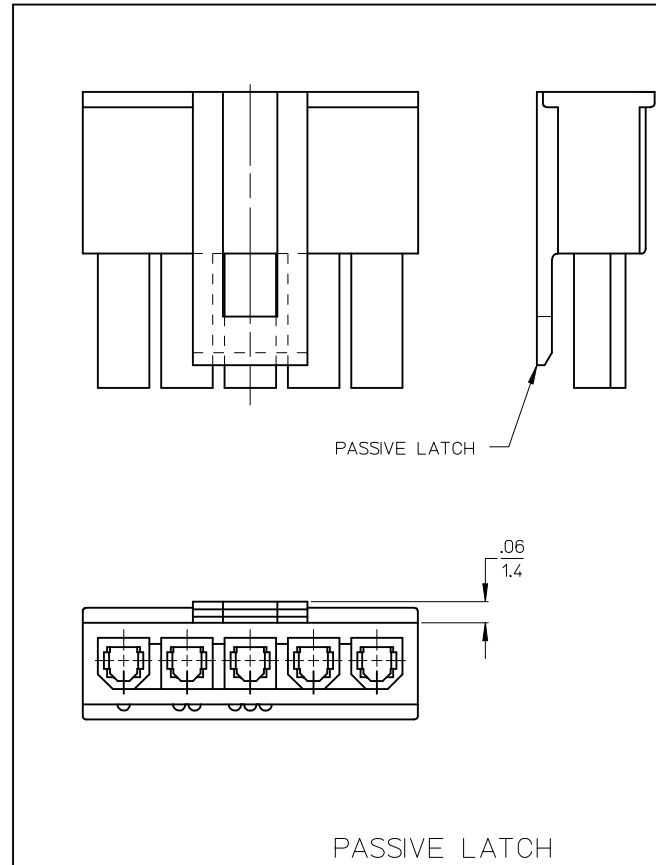
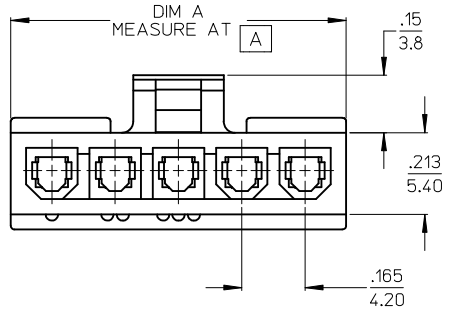
PASSIVE LATCH SCALE 2:1

MATERIAL NUMBER	ENGINEERING NUMBER	TOOL STATUS	CKT SIZE	LATCH STYLE	DIM A
50-36-1746	5557-04R2-225	TOOLED	4	POSITIVE	.709/(18.00)
50-36-1682	5557-05R2-225	OBSOLETE	5	POSITIVE	.874/(22.20)
50-36-1666	5557-05R4-225	OBSOLETE	5	PASSIVE	.874/(22.20)
50-36-2491	5557-06R2-225	NOT TOOLED	6	POSITIVE	1.039/(26.40)
50-36-2324	5557-07R2-225	NOT TOOLED	7	POSITIVE	1.205/(30.60)
50-36-2288	5557-10R2-225	OBSOLETE	10	POSITIVE	1.701/(43.20)



POSITIVE LATCH

PASSIVE LATCH



PASSIVE LATCH

LEGEND:
 5557-**R*-225
 CIRCUIT SIZE
 RECEPTACLE
 R2= SINGLE ROW, POSITIVE LATCH
 R4= SINGLE ROW, PASSIVE LATCH
 MATERIAL
 SEE NOTE 1

NOTES:
 1) MATERIAL:
 225 = NYLON, UL94V-0, COLOR: BLACK; IEC 60335-1, 4th EDITION GLOW WIRE CAPABLE.
 2) FINISH: NOT APPLICABLE
 3) PRODUCT SPECIFICATION: PS-5556-001
 4) PACKAGING: BULK
 5) PART MATES WITH MOLEX PLUG #5559 AND HEADERS #5566 AND #5569.
 6) PART TO BE USED WITH MOLEX FEMALE TERMINAL #5556.
 7) PART IS NOT DESIGNED FOR CURRENT SHARING.
 8) CONNECTORS ARE NOT TO BE MATED OR UNMATED WHILE CIRCUITS ARE LIVE.
 9) WIRES ARE TO BE DRESSED IN SUCH A MANNER TO ALLOW THE TERMINALS TO FLOAT FREELY IN THE POCKET.

10) PART CONFORMS TO CLASS "B" REQUIREMENTS OF COSMETIC SPECIFICATION PS-45499-002 WITH THE EXCEPTION OF DISCOLORATION, FLASH AND SINK MEET CLASS "C" REQUIREMENTS.

OBS P/N'S EC NO: UCP2013-4208 DRAWN: NGUYEN CHKD: J.BELL APPR: F.SMITH	DESCRIPTION 2013/12/27 2013/12/27 2014/05/16	QUALITY SYMBOLS	GENERAL TOLERANCES (UNLESS SPECIFIED)	DIMENSION STYLE IN/MM	SCALE	DESIGN UNITS METRIC	THIRD ANGLE PROJECTION
		▽=0	4 PLACES ± --- ± ---	DRAWN BY DATE LSCHMIDT 2007/06/28	TITLE MINI-FIT JR. RECEPTACLE SINGLE ROW GLOW WIRE		
		▽=0	3 PLACES ± --- ± .010	CHECKED BY DATE ADERR 2007/07/02	molex		
▽=0	2 PLACES ± .25 ± .015	APPROVED BY DATE FSMI THROEMER 2007/07/06	DOCUMENT NO. SD-5557-525				
A3	REV	ANGULAR ±1/2°	DRAFT WHERE APPLICABLE MUST REMAIN WITHIN DIMENSIONS	SIZE C	THIS DRAWING CONTAINS INFORMATION THAT IS PROPRIETARY TO MOLEX INCORPORATED AND SHOULD NOT BE USED WITHOUT WRITTEN PERMISSION		SHEET NO. 1 OF 1